

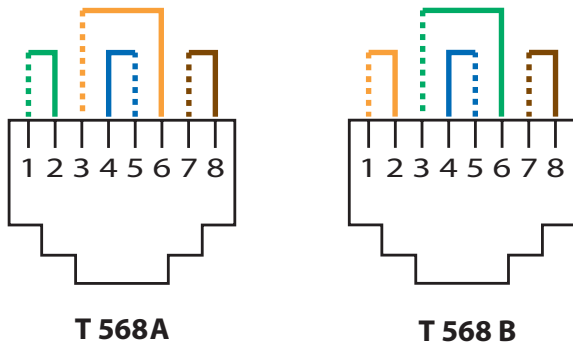
1. GENERAL CHARACTERISTICS

RJ45 field plugs for round cables
 Supplied with a protection grip for the contacts.
 For links cat 5 / class D, cat 6 / class E and cat 6_A / class E_A

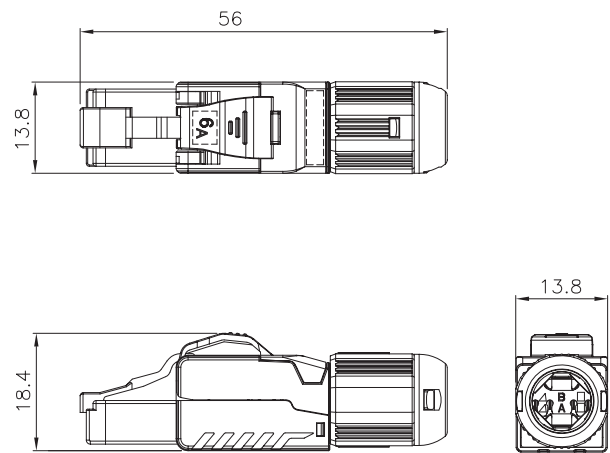
	Solid	Stranded	Ø câble	Contacts
cat6A STP	AWG 23 to 26	AWG 23 to 26	6 to 7,5mm	9

2. USUAL CONNECTIONS

- Connection without RJ crimping tool
- Cabling method :



3. DIMENSIONS



4. TECHNICAL CHARACTERISTICS

4.1 Material characteristics

- Housing, cover, and boot : zinc die-casting with nickel plated.
- Extractor, plug housing, IDC housing, wire management bar, boot housing : polycarbonate
- Plug contacts : phosphor bronze with 100 microinch nickel plated
- Plug contacts finish : mini 50 microinch gold plated on surface contact area
- IDC terminal contacts : titanium copper with tin plated
- Grounding contact : copper with nickel plated

4.2 Mechanical characteristics

- IP20
- The plug can be reused up to 20 times

4.3 Climatic characteristics

- Operating temperature : -10°C to +60°C

5. STANDARDS ANS APPROVALS

- IEC 60603-7
- ISO/IEC 11801
- ANSI/TIA 568-C.2
- IEEE 802.3 af/at/bt