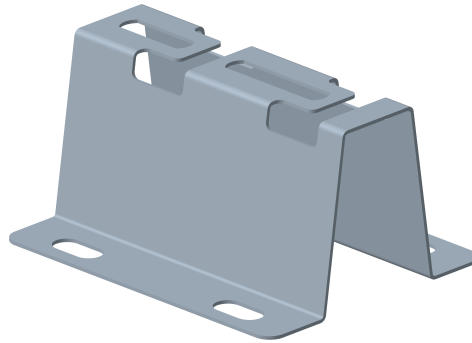


REHAUSSE R50 UNDER FLOOR SUPPORT STAND

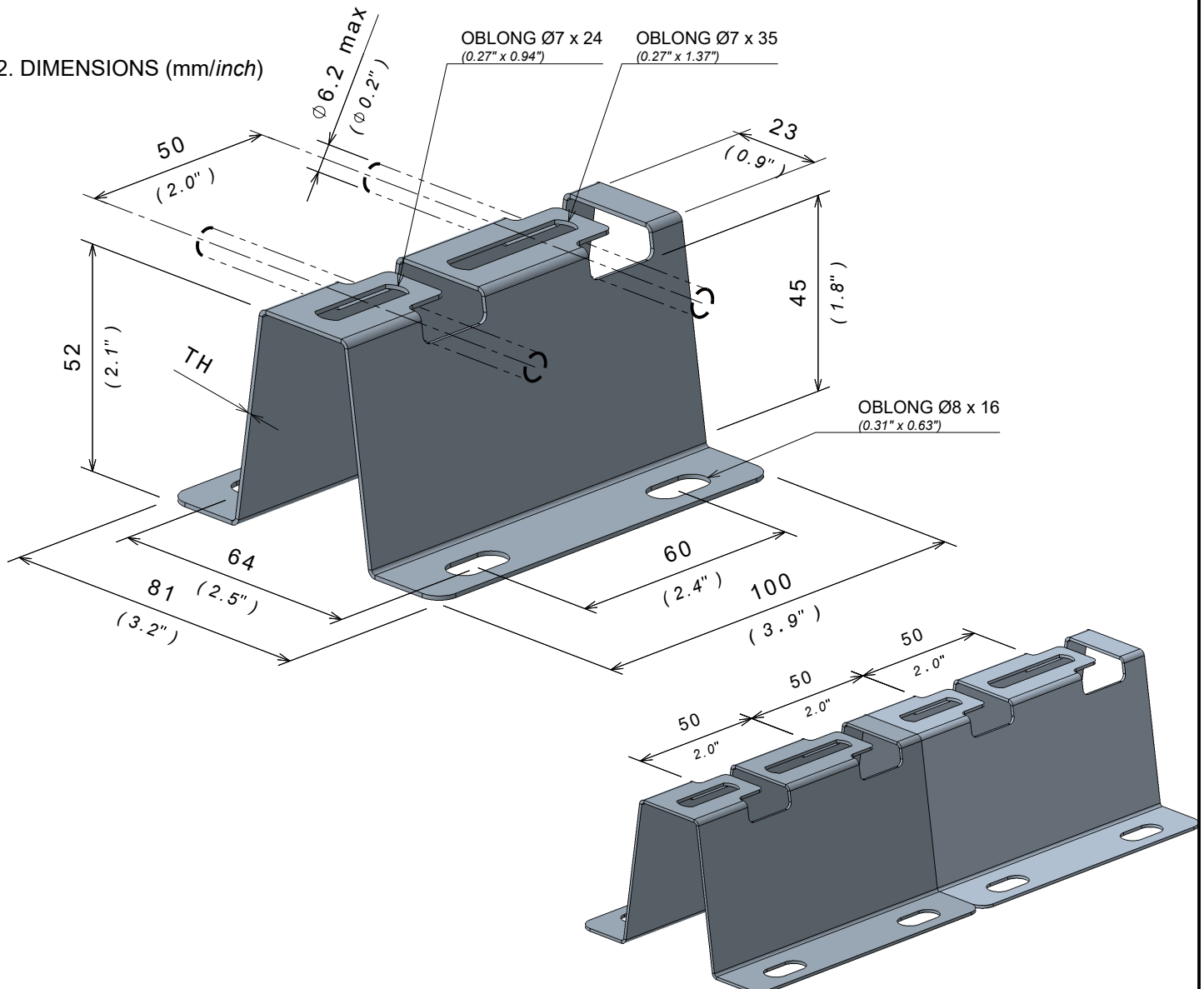
Reference(s) : 348 530/31/32/36



1. RANGE

Designation	Code	Poids / Weight (Kg) (lb)		Epaisseur / Thickness (mm) (inch)		Matière / Material	Norme / Standard	Finition / Coating	Norme / Standard
R50 GS	348530	0.116	0.256	1	0.04"	DX 51 D Z200 MAC	EN 10 346	GS / PG	Class 3 according to CEI 61537
R50 GC	348532	0.118	0.260	1	0.04"	DX 51 D Z200 MAC	EN 10 346	GC / HDG	Class 6 according to CEI 61537
R50 ZnMg-HR	348536	0.116	0.256	1	0.04"	DX 51 D ZM310	EN 10 346	ZnMg-HR	Class 8 according to CEI 61537
R50 SS316L	348531	0.122	0.256	1	0.04"	X2 Cr Ni Mo 17-12-2	EN 10088-2	SS316L	Class 9A according to CEI 61537

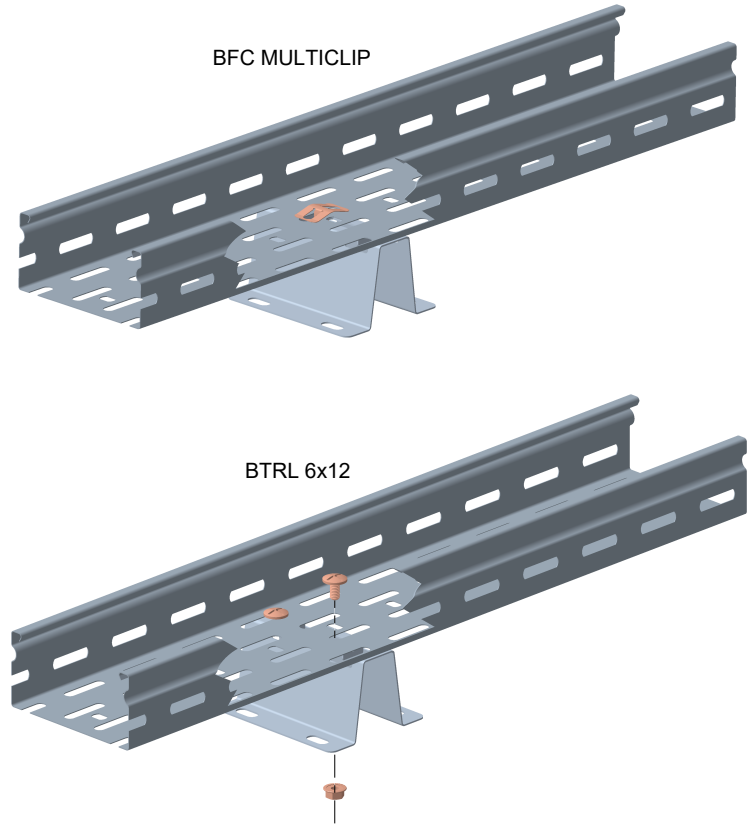
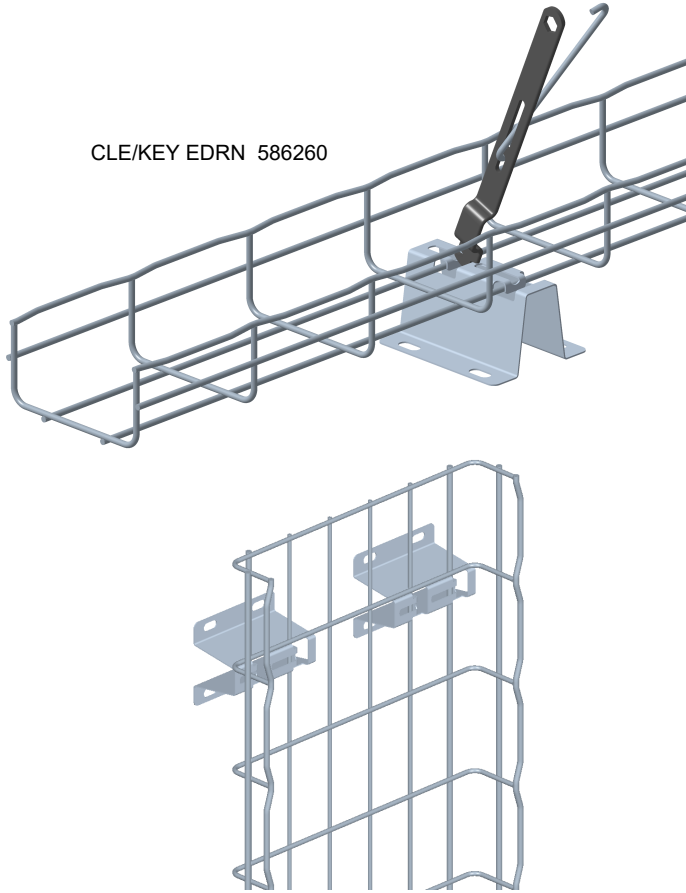
2. DIMENSIONS (mm/inch)



REHAUSSE R50 UNDER FLOOR SUPPORT STAND

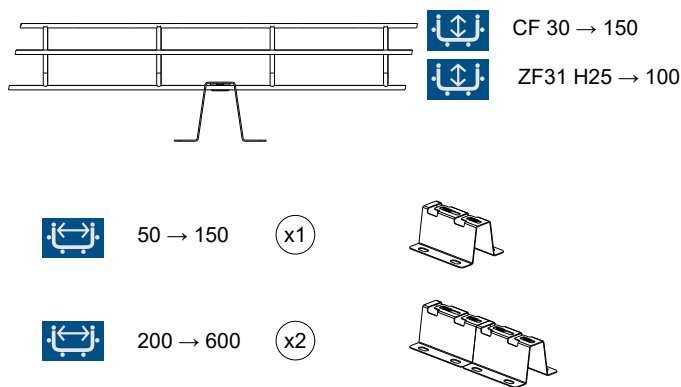
Reference(s) : 348 530/31/32/36

3. FIXATION

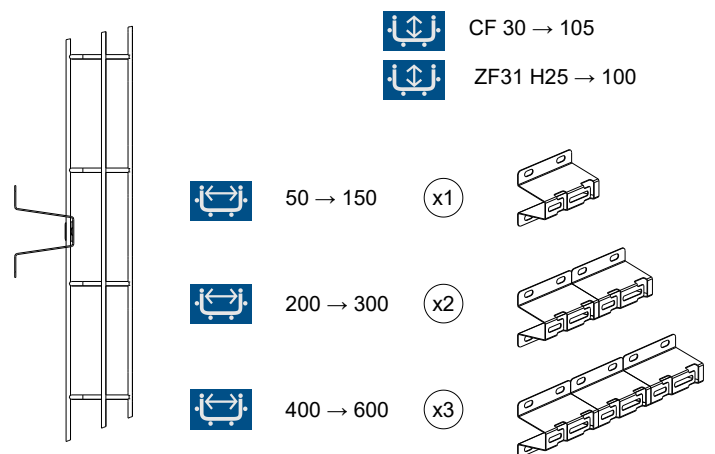


4. INSTALLATION

Horizontal



Vertical



3. CHARGE / LOAD

