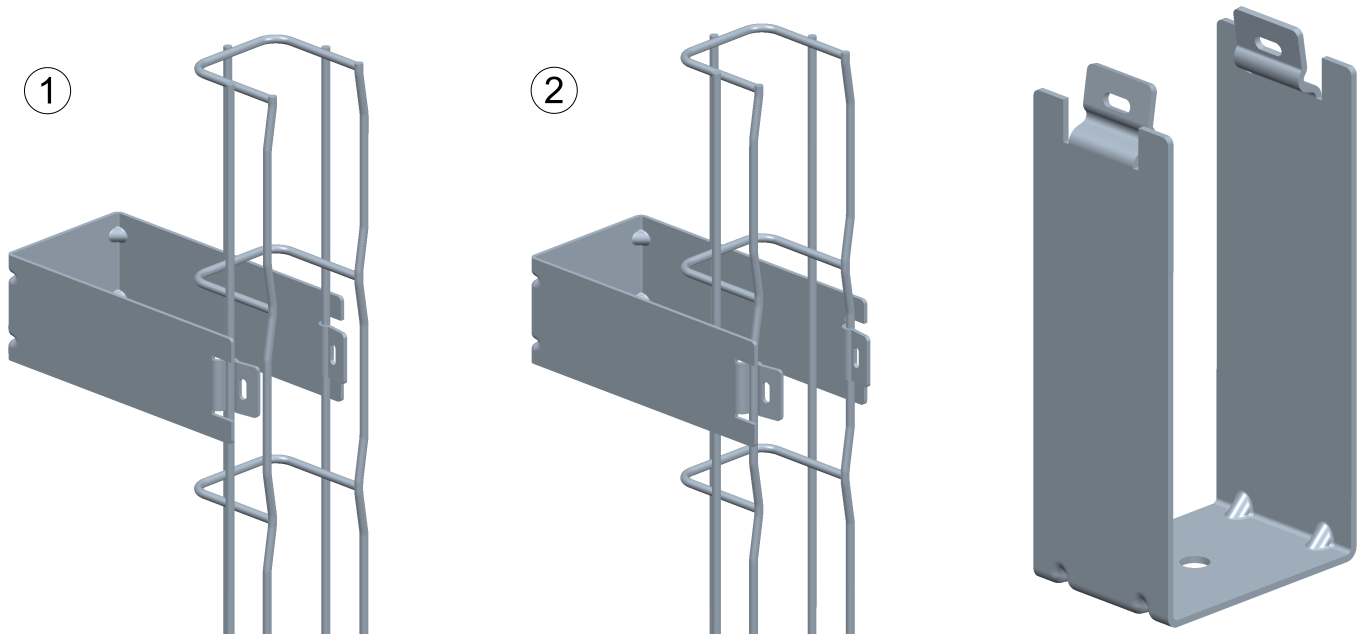


UC100/50 FBV50 - CONSOLE AGROALIMENTAIRE
 UC100/50 FBV50 - FOOD BRACKET

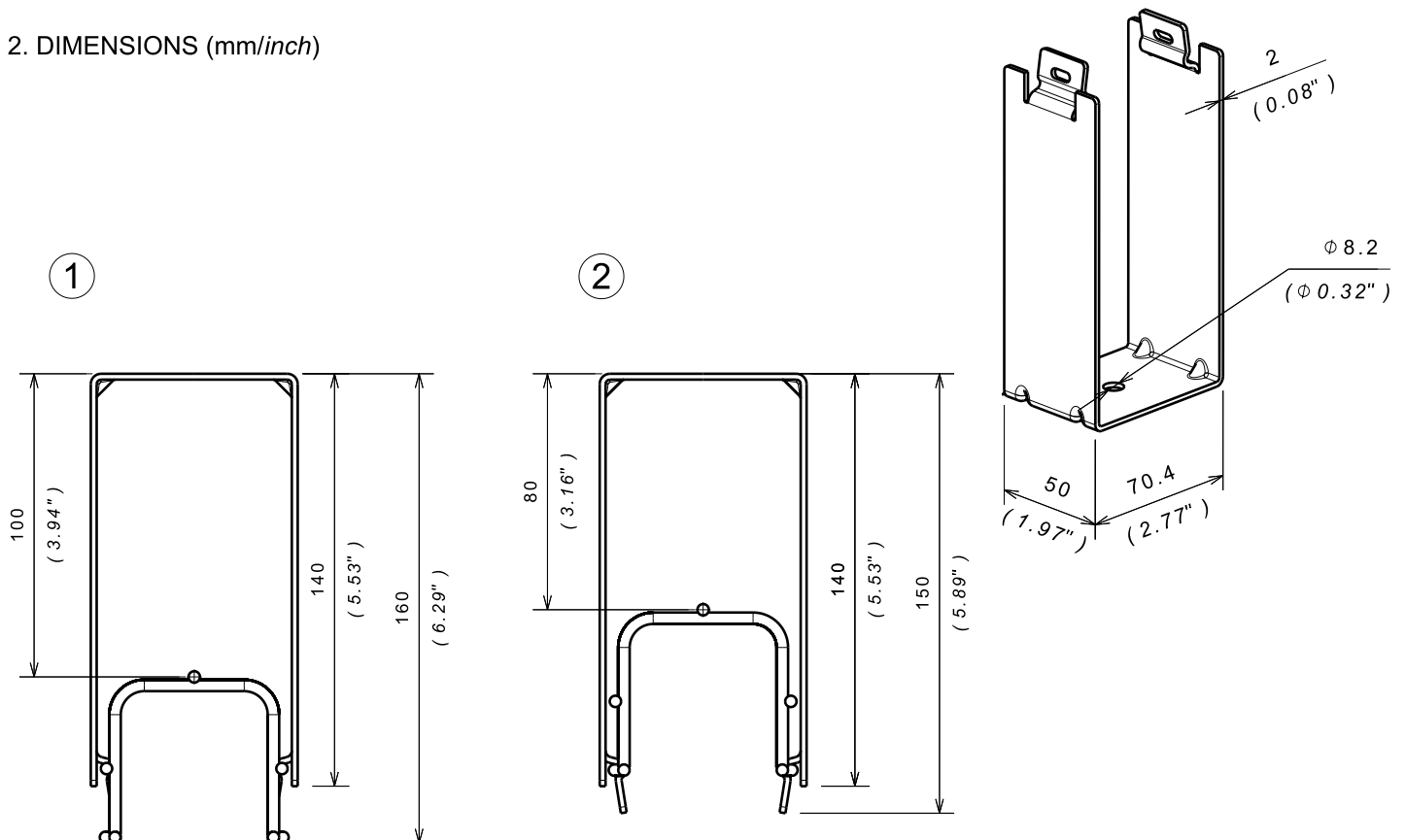
Reference(s) : 595 930 / 37



1. GAMME / RANGE

| Designation | Code | Poids / Weight (Kg) / (lb) | | Epaisseur / Thickness (mm) / (inch) | | Matière / Material | Norme / Standard | Finition / Coating | Classe de résistance contre la corrosion / Class for resistance against corrosion |
|---------------------|---------|----------------------------|-------|-------------------------------------|-------|--------------------|------------------|--------------------|---|
| | | | | | | | | | |
| UC100/50 ZnMg | 595 937 | 0.279 | 0.615 | 2 | 0.079 | DX51D ZM | EN 10 346 | ZnMg | Class 8 / IEC 61537 |
| UC100/50 FBV50 304L | 595 930 | 0.285 | 0.628 | 2 | 0.079 | X2 Cr Ni 18-9 | EN 10 088-2 | IN304L / SS304L | Class 9A / IEC 61537 |

2. DIMENSIONS (mm/inch)



UC100/50 FBV50 - CONSOLE AGROALIMENTAIRE
UC100/50 FBV50 - FOOD BRACKET

Reference(s) : 595 930 / 37

3. INSTALLATION / MOUNTING

Montage en vertical seulement /
 Vertical mounting only

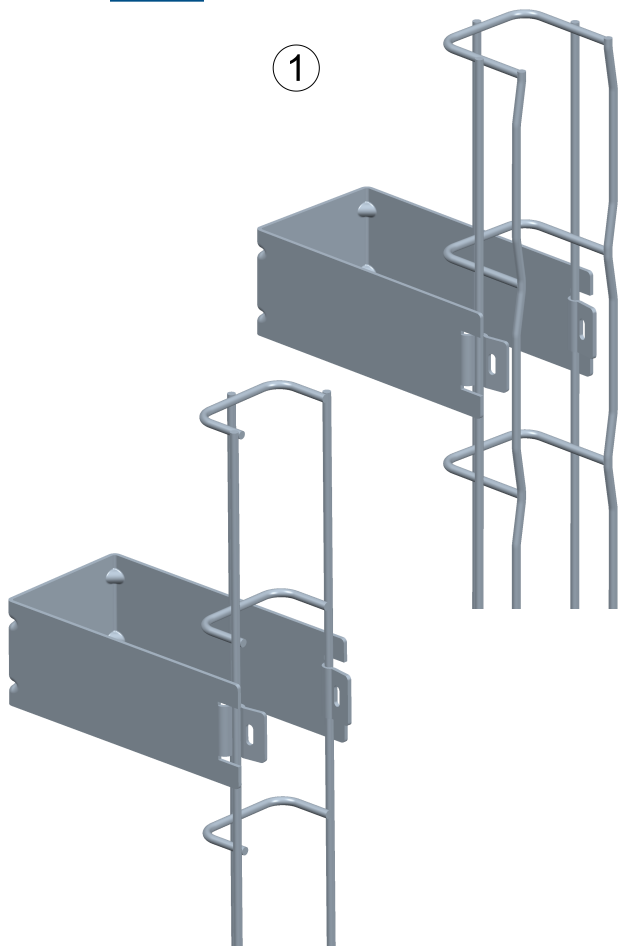


CF30/50 - CF54/50

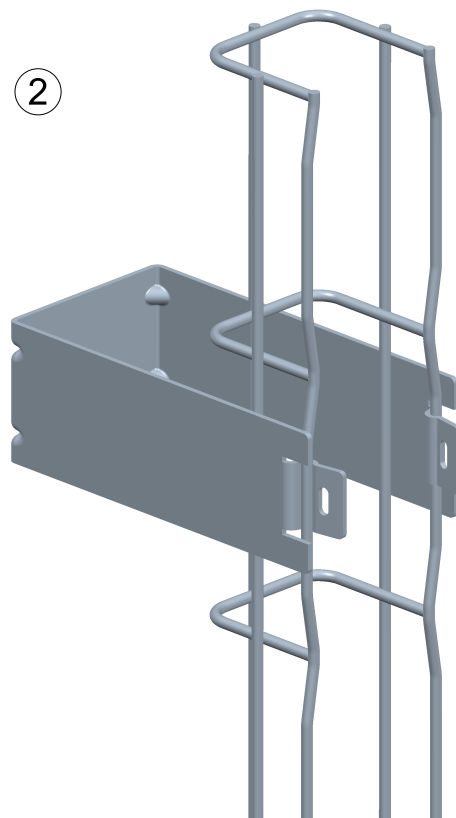


CF54/50

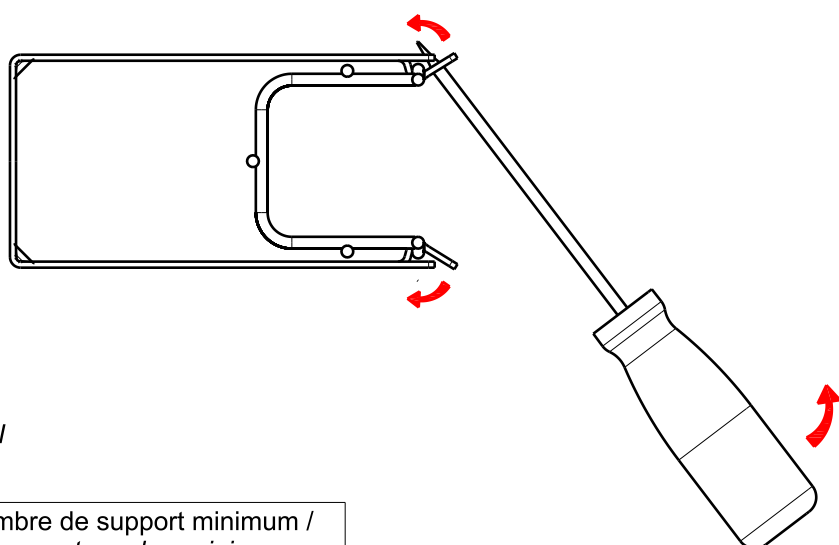
①



②



Verrouillage / Locking



4. RECOMMANDATION / RECOMMENDATION

| portée / span (m / inch) | | nombre de support minimum / support number minimum |
|-----------------------------|------|---|
| | | CF30/50 - CF54/50 |
| 1 | 39.4 | 1 |
| 1.5 | 59.1 | 1 |