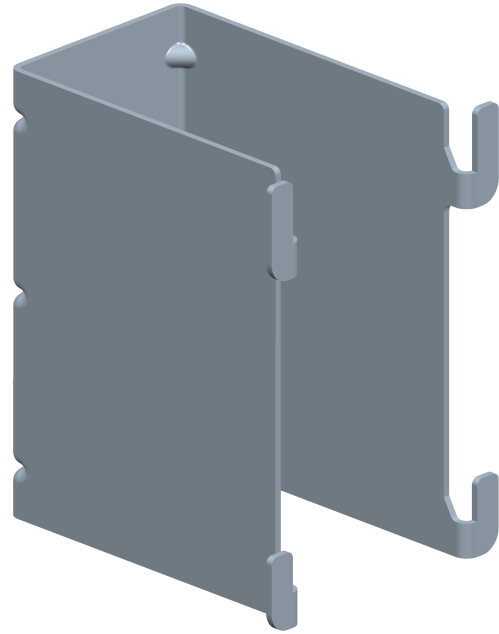


CM100/100 CONSOLE MURALE CM100/100 WALL BRACKET

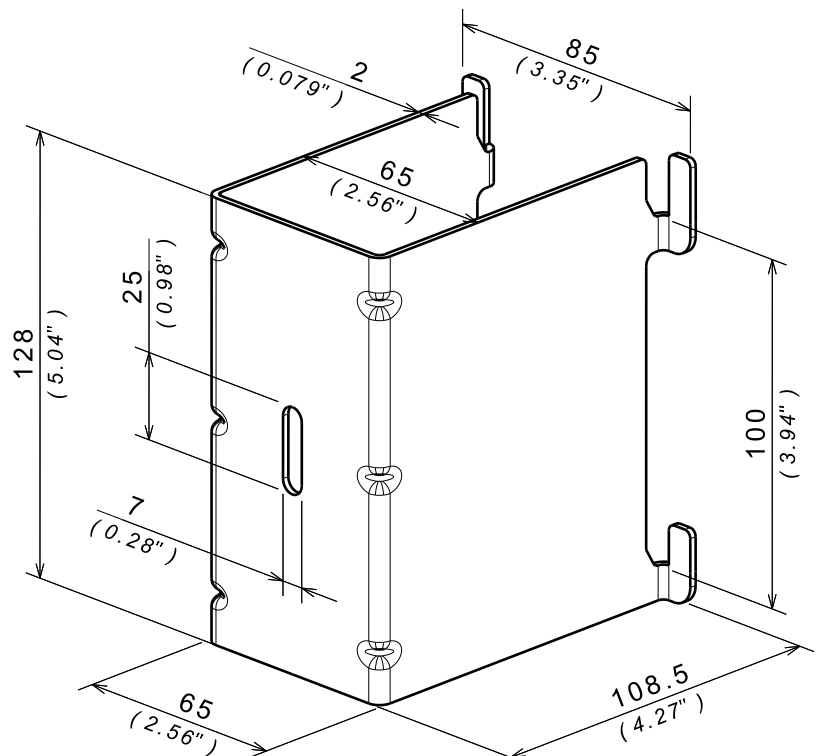
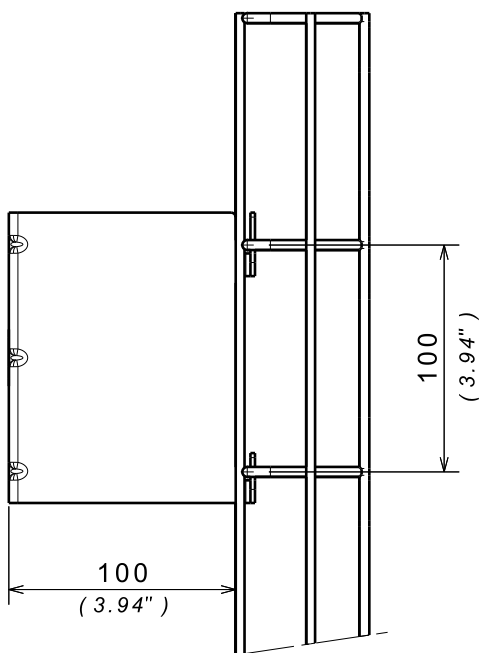
Reference(s) : 595 927



1. GAMME / RANGE

Designation	Code	Poids / Weight (Kg) (lb)		Epaisseur / Thickness (mm) (inch)		Matière / Material	Norme / Standard	Finition / Coating	Classe de résistance contre la corrosion / Class for resistance against corrosion
CM100/100 ZnMg	595 927	0.55	1.19	2	0.079	DX51D ZM	EN 10 346	ZnMg	Class 8 / IEC 61537

2. DIMENSIONS (mm/inch)



CM100/100 CONSOLE MURALE CM100/100 WALL BRACKET

Reference(s) : 595 927

2. INSTALLATION / MOUNTING



CF30 - CF54 - CF105

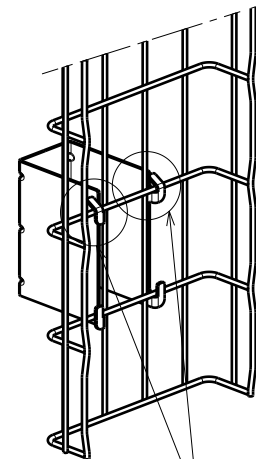
Montage seulement vertical /
Vertical mounting only



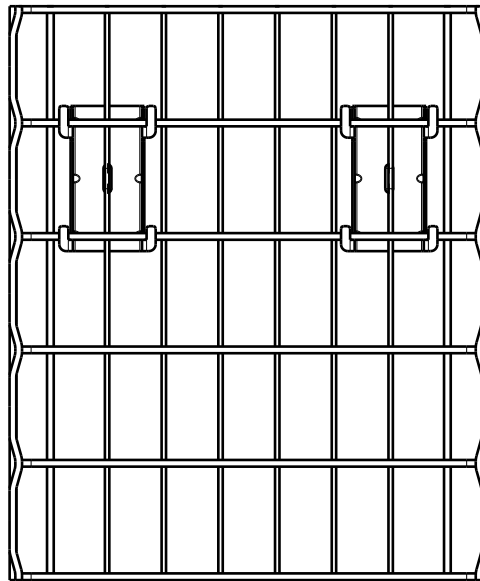
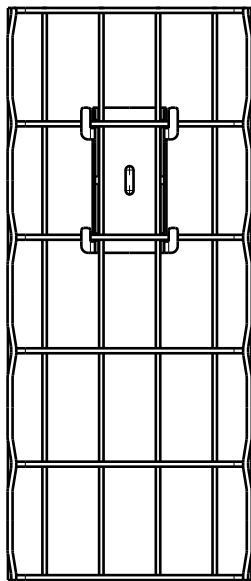
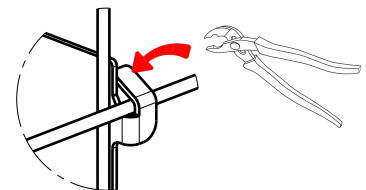
100 → 300 X1



400 → 600 X2



Verrouillage / locking



4. RECOMMENDATION

portée / span (m / inch)		nombre de support minimum / support number minimum						
		CF 54/50	CF 54/100	CF 54/200	CF 54/300	CF 54/400	CF 54/500	CF 54/600
1	39.4	1	1	1	1	2	2	2
1.5	59.1	1	1	1	1	2	2	2
2	78.7	1	1	1	2	2	3	3