

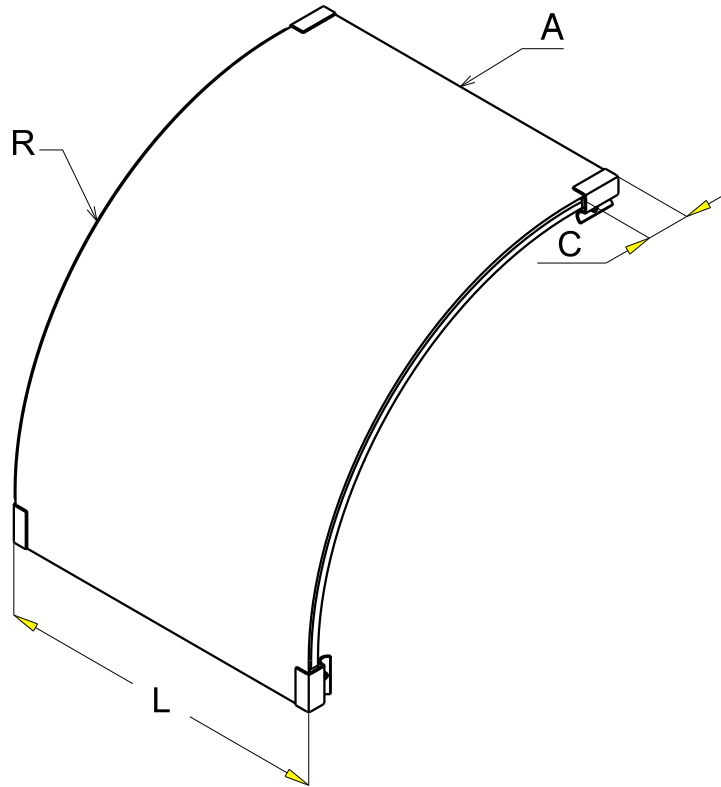
COUV CPL CONV P31 COR 50 à 600  
COVER FOR OUTS. RISER 50 to 600

GC  
HDG

**legrand** | CABLE  
MANAGEMENT

FT0543-3

10 16



REF	HAUTEUR	CODE	L /L		A /A		C /C		R /R	
			(mm)	(inch)	(mm)	(inch)	(mm)	(inch)	(mm)	(inch)
P31 COR 50	25 à 75	342 798	50	(1.97")	0.8	(0.032")	30	(1.18")	70	(2.76")
P31 COR 75		342 799	75	(2.95")	0.8	(0.032")	30	(1.18")	178	(7.03")
P31 COR 100		342 808	100	(3.94")	0.8	(0.032")	30	(1.18")	178	(7.03")
P31 COR 150		342 809	150	(5.91")	0.8	(0.032")	30	(1.18")	178	(7.03")
P31 COR 200		342 818	200	(7.87")	0.8	(0.032")	30	(1.18")	178	(7.03")
P31 COR 300		342 819	300	(11.81")	1	(0.039")	30	(1.18")	178	(7.03")
P31 COR 100	100	343 178	100	(3.94")	0.8	(0.032")	30	(1.18")	178	(7.03")
P31 COR 150		343 179	150	(5.91")	0.8	(0.032")	30	(1.18")	178	(7.03")
P31 COR 200		342 825	200	(7.87")	0.8	(0.032")	30	(1.18")	178	(7.03")
P31 COR 300		342 826	300	(11.81")	1	(0.039")	30	(1.18")	178	(7.03")
P31 COR 400	25 à 100	342 827	400	(15.75")	1	(0.039")	50	(1.97")	251	(9.89")
P31 COR 500		342 828	500	(19.69")	1	(0.039")	50	(1.97")	251	(9.89")
P31 COR 600	50 à 100	343 337	600	(23.62")	1	(0.039")	50	(1.97")	251	(9.89")

Material	Standard	Finishes	Standard
S 235 JR	EN 10 025-2	HDG	Class 6 according to CEI 61537