

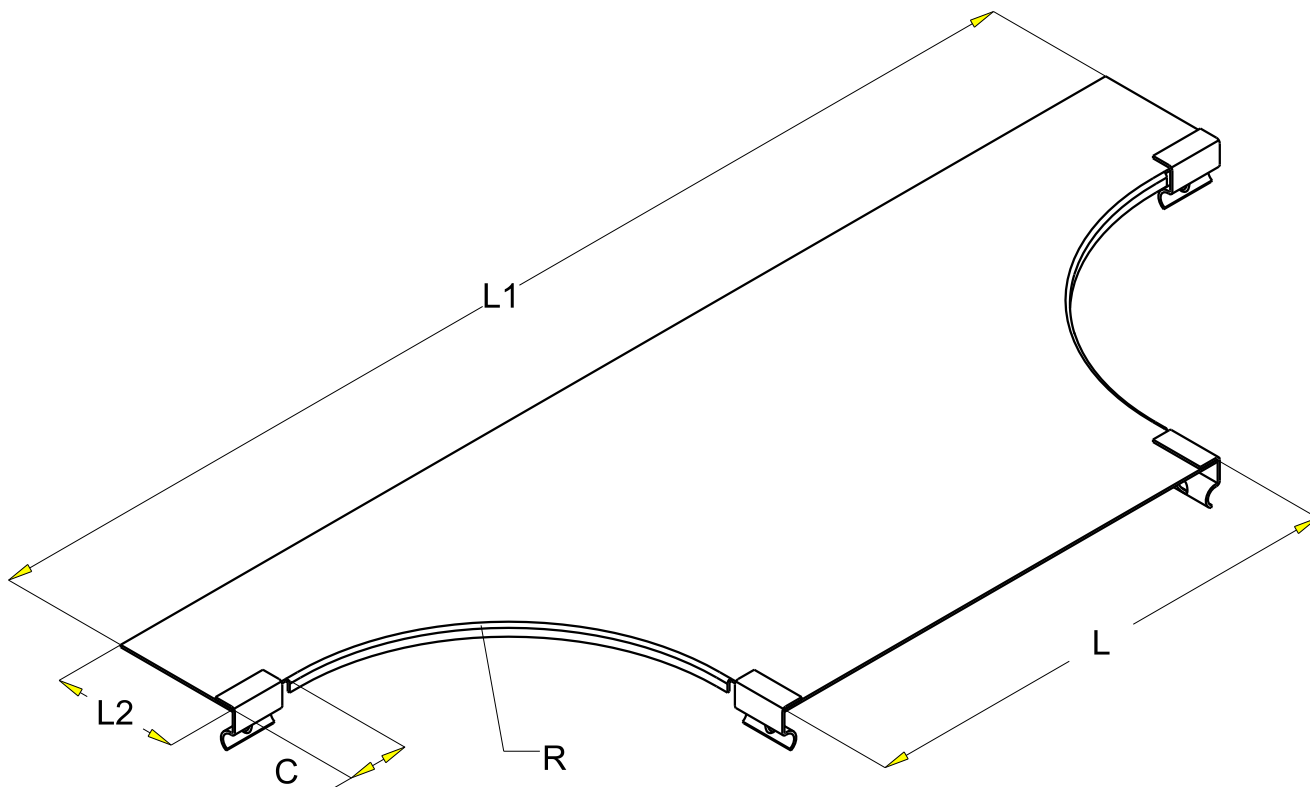
COUV DERIVATION P31 CB 50 à 600
Cover for branch P31 50 to 600

GS
PG

legrand CABLE
MANAGEMENT

FT0541-0

10 16



REF	CODE	L /L (mm) (inch)	EP /TH (mm) (inch)	L1 /L1 (mm) (inch)	L2 /L2 (mm) (inch)	C /C (mm) (inch)	R /R (mm) (inch)
P31 CB 50	340 501	50 (1.97")	0.8 (0.032")	148 (5.83")	41 (1.62")	30 (1.18")	20 (1.78")
P31 CB 75	340 502	75 (2.92")	0.8 (0.032")	333 (13.11")	45 (1.77")	30 (1.18")	96.6 (3.80")
P31 CB 100	340 503	100 (3.94")	0.8 (0.032")	358 (14.11")	45 (1.77")	30 (1.18")	96.6 (3.80")
P31 CB 150	340 504	150 (5.91")	0.8 (0.032")	408 (16.08")	45 (1.77")	30 (1.18")	96.6 (3.80")
P31 CB 200	340 505	200 (5.91")	0.8 (0.032")	458 (18.05")	45 (1.77")	30 (1.18")	96.6 (3.80")
P31 CB 300	340 728	300 (7.87")	1 (0.039")	558 (21.99")	45 (1.77")	30 (1.18")	96.6 (3.80")
P31 CB 400	340 745	400 (11.81")	1 (0.039")	798 (31.44")	45 (1.77")	50 (1.97")	146.6 (5.77")
P31 CB 500	340 746	500 (19.69")	1 (0.039")	898 (35.38")	45 (1.77")	50 (1.97")	146.6 (5.77")
P31 CB 600	340 747	600 (23.62")	1 (0.039")	998 (39.29")	45 (1.77")	50 (1.97")	146.6 (5.77")

Material	Standard
DX 51 D Z 200 MAC	EN 10 346

Propriété exclusive de LEGRAND, ne peut être ni copié, ni transmis à des tiers sans autorisation écrite.

Exclusive property of LEGRAND shouldn't be reproduced or transmitted to any people without written authorization