

**COUV COUDE 90 P31 CFB 50 à 600**  
 Cover for bend P31 W50 to W600

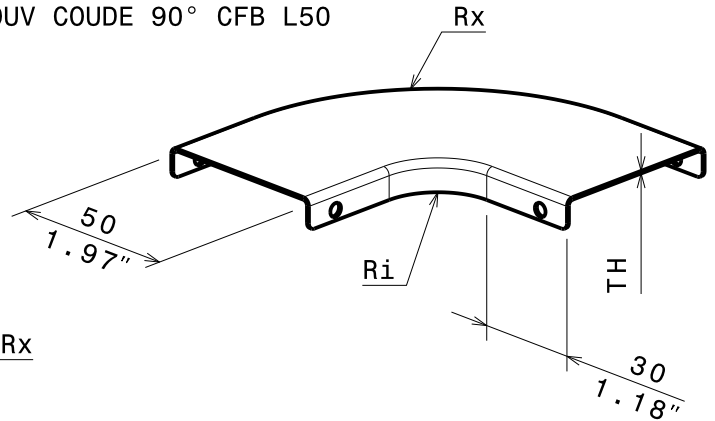
**GC  
HDG**

**legrand®** | CABLE  
MANAGEMENT

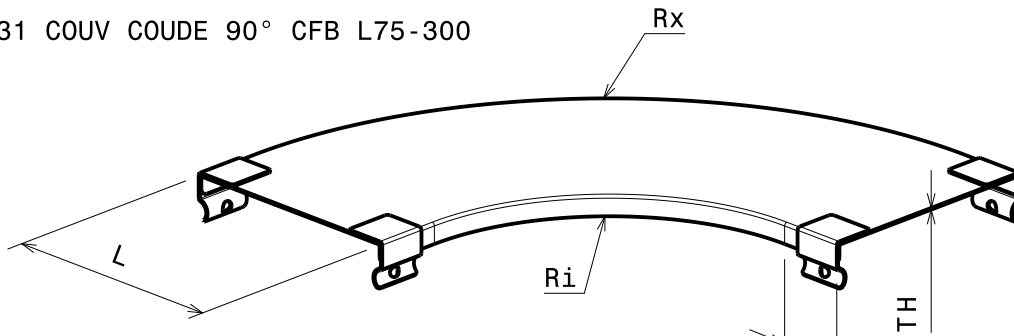
FT0537-3

10 16

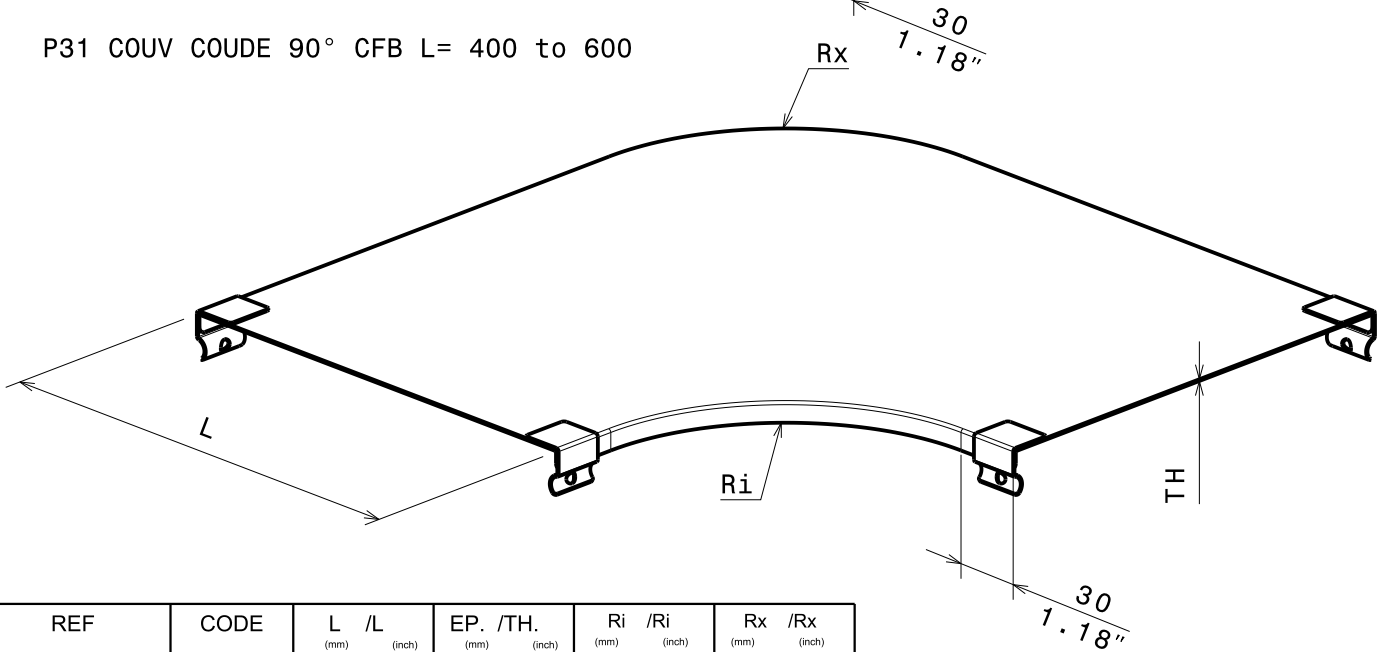
P31 COUV COUDE 90° CFB L50



P31 COUV COUDE 90° CFB L75-300



P31 COUV COUDE 90° CFB L= 400 to 600



REF	CODE	L /L		EP. /TH.		Ri /Ri		Rx /Rx	
		(mm)	(inch)	(mm)	(inch)	(mm)	(inch)	(mm)	(inch)
P31 CFB 50	342 861	50	(1.97")	0.8	(0.032")	20	(0.78")	70	(2.75")
P31 CFB 75	342 862	75	(2.92")	0.8	(0.032")	100	(3.94")	175	(6.89")
P31 CFB 100	342 863	100	(3.94")	0.8	(0.032")	100	(3.94")	200	(7.87")
P31 CFB 150	342 864	150	(5.91")	0.8	(0.032")	100	(3.94")	250	(9.84")
P31 CFB 200	342 865	200	(5.91")	0.8	(0.032")	100	(3.94")	300	(11.81")
P31 CFB 300	342 866	300	(7.87")	1	(0.039")	100	(3.94")	400	(15.74")
P31 CFB 400	342 867	400	(11.81")	1	(0.039")	150	(5.91")	150	(5.91")
P31 CFB 500	342 868	500	(19.69")	1	(0.039")	150	(5.91")	150	(5.91")
P31 CFB 600	343 314	600	(23.62")	1	(0.039")	150	(5.91")	150	(5.91")

Material	Standard	Finishes	Standard
S 235 JR	EN 10 025-2	HDG	Class 6 according to CEI 61537