

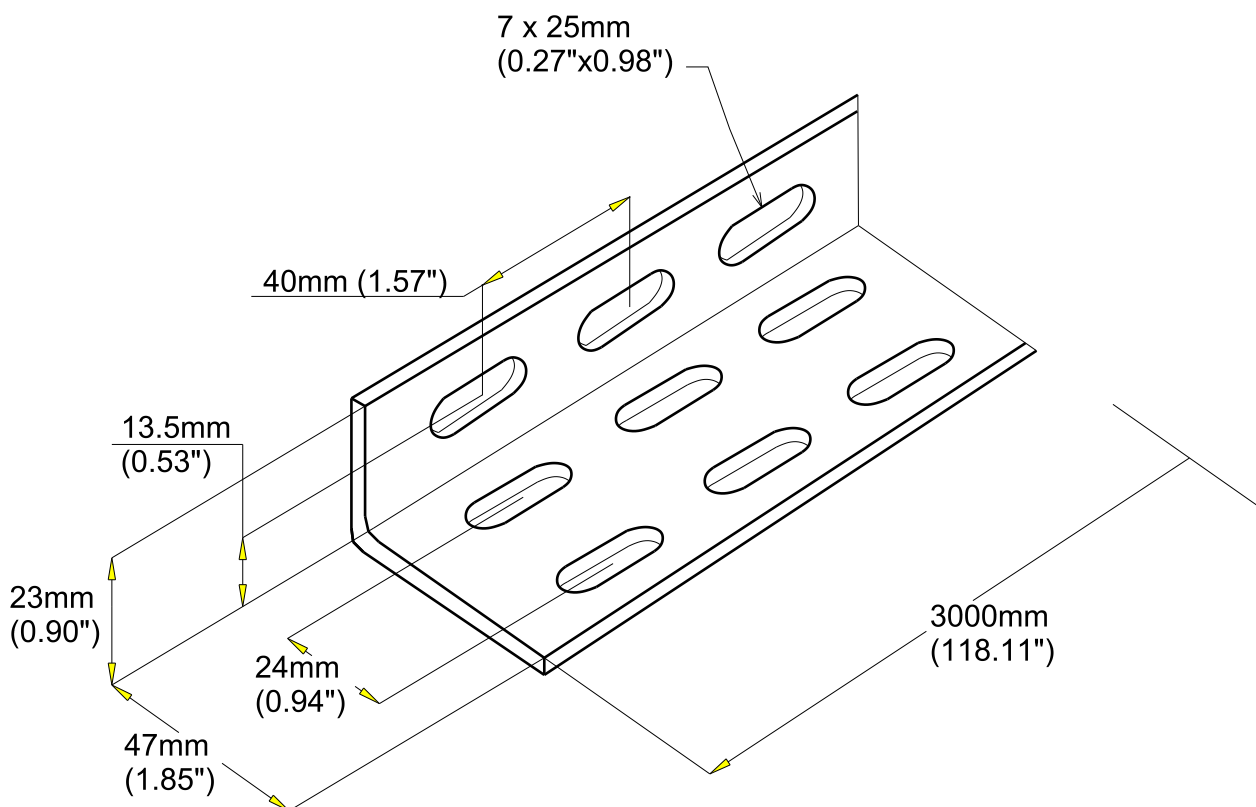
CORNIERE COR 24 / 48
COR 24 / 48 ANGLE

GS
PG

legrand | CABLE
MANAGEMENT

FT0260-0

02 16



Material	Standard
DX51D Z 275 MAC	EN 10 346

EPAISSEUR / THICKNESS
1.35 / (0.05")

REF	CODE	POIDS (Kg/m)	WEIGHT (lb/ft)
COR 24/48	524 181	0.600	0.404