

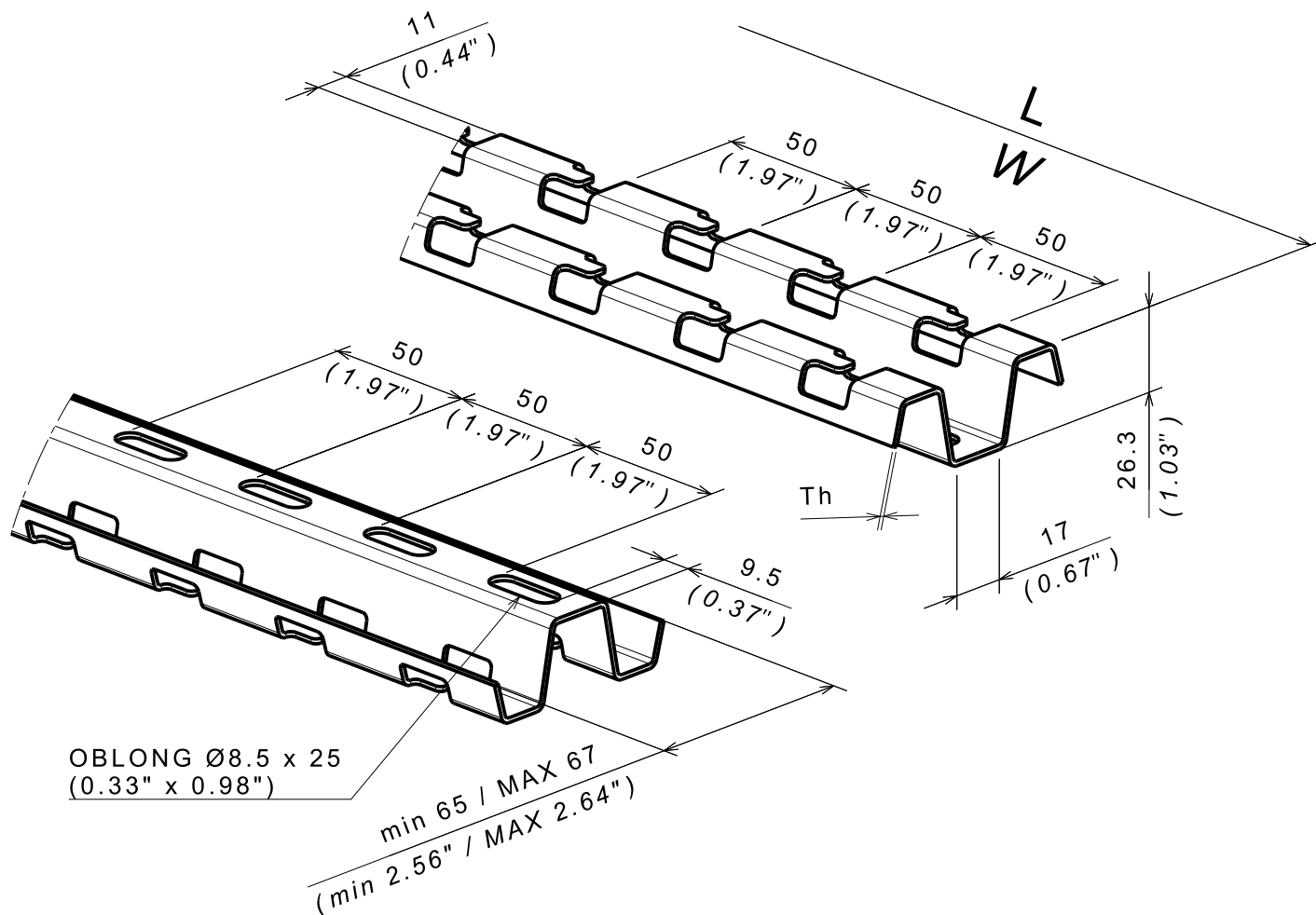
**RAIL CSN
CSN CHANNEL**

**INOX 304L
SS304L**

legrand | CABLE
MANAGEMENT

FT0101-9

07/19



REF	CODE	POIDS (Kg/u)	WEIGHT (lb/u)	L (mm)	W (inch)	EPAISSEUR / THICKNESS 1.5 (0.06")	NORMES / STANDARD
RCSN 2000	013 028	2.250	4.950	1994	78.50	MATIERE / MATERIAL X2 Cr Ni 18-9	EN 10088-2
RCSN 3000	013 038	3.420	7.520	2994	117.9	PROTECTION / COATING INOX 304L	