

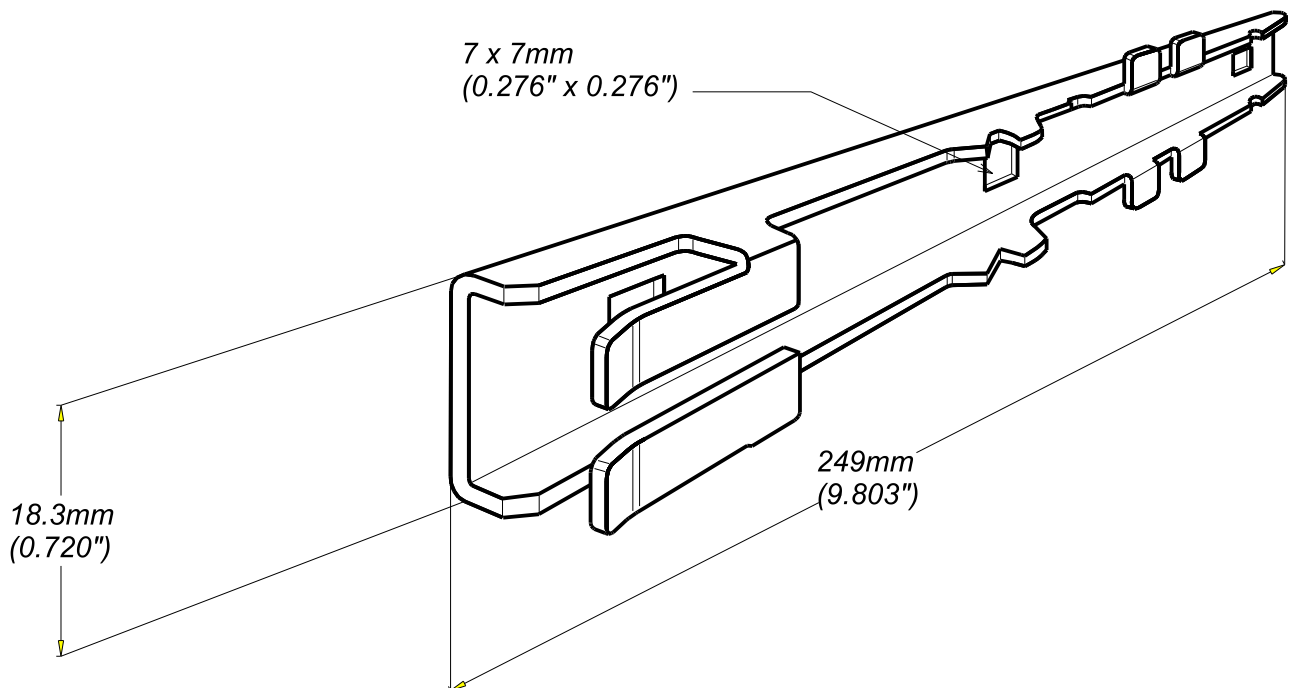
**ECLISSE AUTOCLIC
AUTOCLIC SPLICE**

**GC
HDG**

legrand® | **CABLE
MANAGEMENT**

FT0087-3

10 13



REF	CODE	POIDS (Kg)	WEIGHT (lb)
AUTOCLIC	558 283	0.100	0.221

EPAISSEUR / THICKNESS 1.5 (0.06")	NORMES / STANDARD
MATIERE / MATERIAL S 235 JR	EN 10025-2
PROTECTION / COATING Galva a chaud/ HDG	NF EN ISO 1461