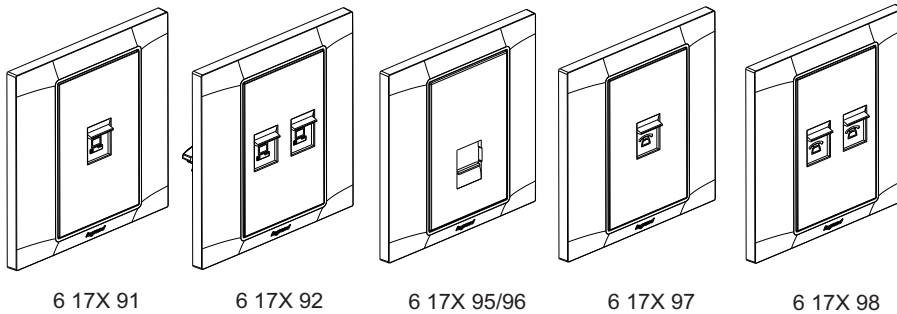


Belanko™ S DATA

Cat. No(s): 6 17X 91/92/95/96/97/98



CONTENTS

1. Use.....	1
2. Range.....	1
3. Preparation.....	1
4. Overall dimensions.....	1
5. Connection.....	2
6. Technical characteristics.....	3
7. Cleaning.....	3
8. Conformity - Approvals.....	3

1. USE

Telephone socket outlet for the transmission of data or telephone signals. With shutters.

Computer socket outlet for the transmission of data. With shutters.
(Supplied with M3.5 screws for BS boxes. Flush mounting or surface mounting.)

2. RANGE

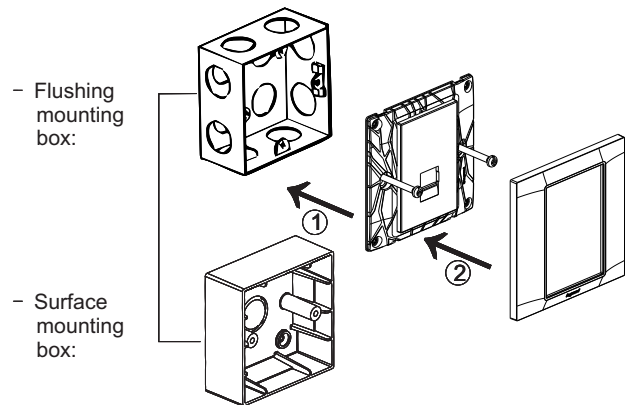
	Designation	Cat. No.	Weight(g)
	RJ45 CAT6 UTP	6 17X 91	41
	DOUBLE RJ45 CAT6 UTP	6 17X 92	51.7
	BRITISH TELECOM MASTER	6 17X 95	47.8
	BRITISH TELECOM SECONDARY	6 17X 96	50.4
	RJ11 SOCKET	6 17X 97	38.5
	DOUBLE RJ11 SOCKET	6 17X 98	46.6

Colours

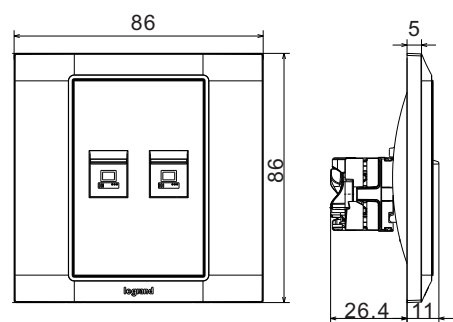
- Front: white/anthracite/ivory
- Rear: white
- 6 176 XX White
- 6 177 XX Anthracite
- 6 178 XX Ivory

3. PREPARATION

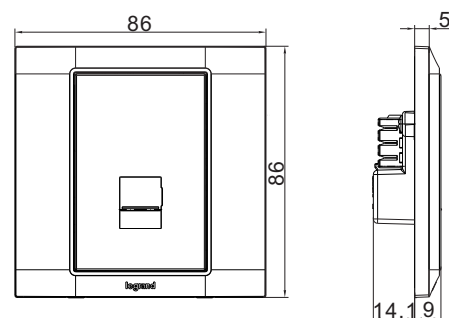
3.1 General preparation



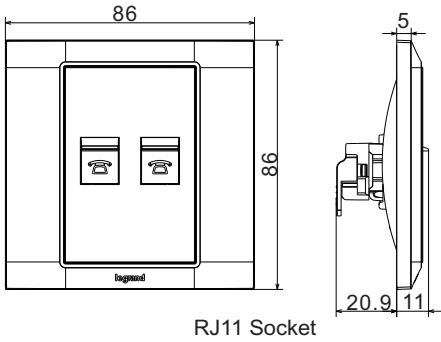
4. OVERALL DIMENSIONS



RJ45 Socket



BRITISH RJ45



RJ11 Socket

Profile Size: 86×86mm
Distance of installation hole: 60.3 mm
Minimum depth of the box>35 mm

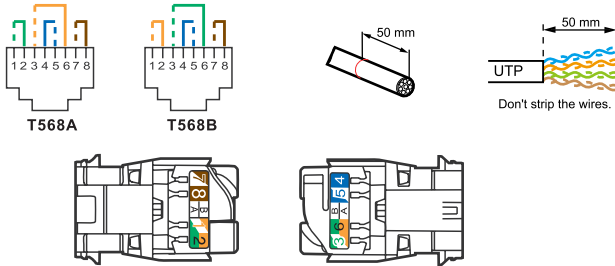
5. CONNECTION

5.1 RJ45 Socket

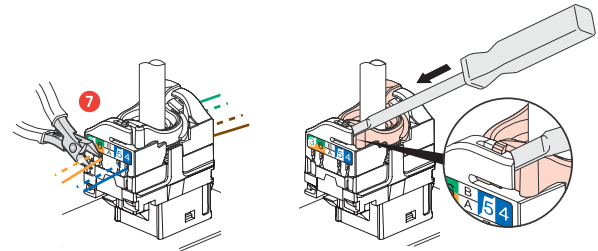
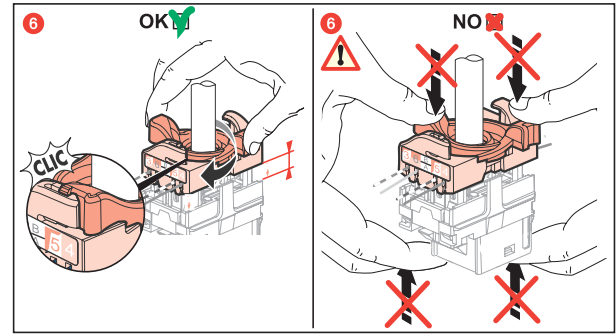
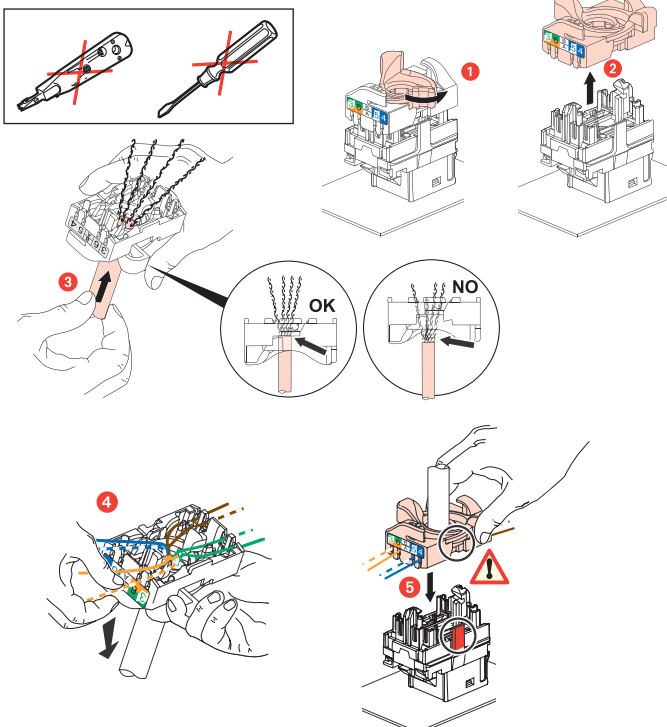
Recommended screwdriver size: 4mm flat blade

Connection diagrams:

- Wiring



- Connection

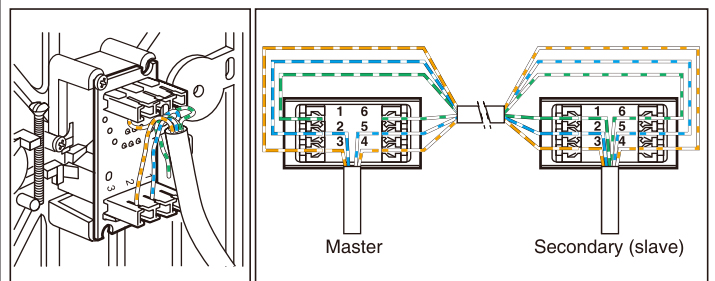
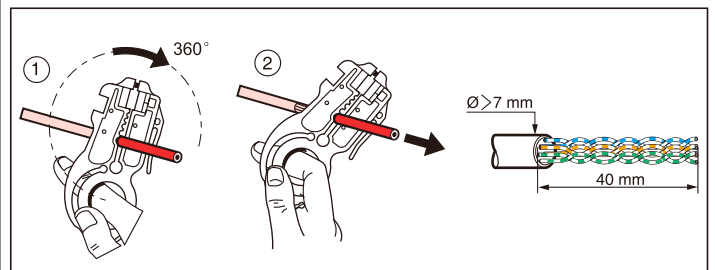


5.2 British Telecom

Connection diagrams:

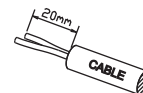
	1M	
Master	6 17X 95	Orange/white 3, Blue/white 2, Green/white 1
Secondary (slave)	6 17X 96	White/orange 4, White/blue 5, White/green 6

This product complies with OfTel Approval NS/G/23/L/100005



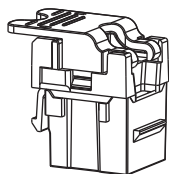
5.3 RJ11 Socket

Connection diagrams:



Cut the wire jacket about 20mm, open the cover.

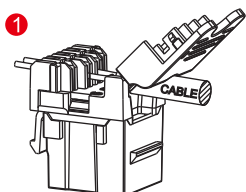
- RJ11 Connector



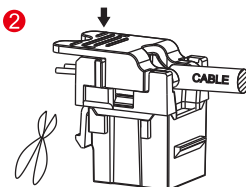
Be careful, clip this connector on "telephone" marking side.



- Connection



Put the wire into the middle slot 4 and 5, then turn the cover.



Press the cover and let the wire into the clip, cut the excess ends.

6. TECHNICAL CHARACTERISTICS

6.1 Material characteristics

Cover: Polycarbonate

Plate: Polycarbonate

Frame: Polycarbonate

Base: PP

Self-extinguishing:

+ 850° C / 30 s for insulating parts holding live parts in place

+ 650° C / 30 s for other parts made of insulating materials

6.2 Electrical characteristics

RJ45(6 17X 91, 6 17X 92):

-Breakdown Voltage $\geq 1000V$

-Contact resistance $\leq 20m\Omega$

-Insulation resistance $\geq 500m\Omega$ at DC 100V

-Contact blades gold plated on nickel(gold thickness: 0.75 μm)

RJ11(6 17X 97, 6 17X 98):

-Contact blades gold plated on nickel(gold thickness: 0.125 μm)

6.3 Climatic characteristics

Storage temperatures: -10°C to +70°C

Operating temperatures: -5°C to +50°C

6.4 Mechanical characteristics

Impact test: IK04

Protection against solids & liquids: IP20

7. CLEANING

Surface cleaning with a soft, slightly damp cloth.

Do not use: acetone, tar remover, trichloroethylene.

8. CONFORMITY - APPROVALS

Refer to ISO/IE 11801.