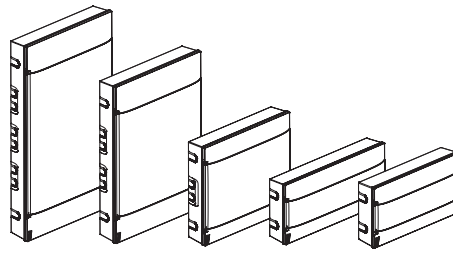
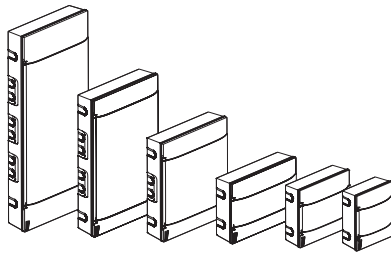


## Practibox S surface-mounting cabinets with unprotected terminal blocks on a support

Cat. No(s): 1 341 24/28/34/38 - 1 342 04/08/14/18  
 1 343 48/58 - 1 346 04/08/14/18 - 1 351 21/22/23/24/31/32/33/34  
 1 352 01/02/03/04/11/12/13/14/61/62/63/64/71/72/73/74  
 1 353 41/42/43/44/51/52/53/54 - 1 354 21/22/23/24/31/32/33/34  
 1 356 01/02/03/04/11/12/13/14 - 1 371 25/26/27/28/29/35/36/37/38/39  
 1 372 05/06/07/08/09/15/16/17/18/19/65/66/67/68/69/75/76/77/78/79  
 1 373 46/47/48/49/56/57/58/59 - 1 374 25/26/27/28/29/35/36/37/38/39  
 1 375 26/27/28/29/36/37/38/39 - 1 376 05/06/07/08/09/15/16/17/18/19



### CONTENTS

### Page

|                                   |    |
|-----------------------------------|----|
| 1. Description, use .....         | 1  |
| 2. Range .....                    | 1  |
| 3. Dimensions .....               | 5  |
| 4. General characteristics .....  | 6  |
| 5. Compliance and approvals ..... | 11 |
| 6. Installation add-ons .....     | 11 |

## 1. DESCRIPTION, USE

Surface-mounting cabinets with 1 to 4 rows, 4 to 22 modules depending on the model, for residential and small commercial installations.

2 door finishes: white or transparent (smoked)

Halogen-free enclosures

Conforming to standard IEC 60 670-24 Edition 2.0 2011-03

Used to create assemblies conforming to IEC 61 439-3 Edition 1.0 2012-02

These cabinets are only designed for wall-mounting installation

Space under rails: 10 mm

Distance between rails: 150 mm

## 2. RANGE

| Cat. No. | No. of rows | No. of modules per row | Door colour | Terminal block  | Terminal block short-circuit current |
|----------|-------------|------------------------|-------------|-----------------|--------------------------------------|
| 1 341 24 | 1           | 4                      | white       | Earth           | 6 kA                                 |
| 1 342 04 |             |                        | white       | Earth + Neutral |                                      |
| 1 346 04 |             |                        | white       | Earth + Neutral |                                      |
| 1 341 34 |             |                        | transparent | Earth           |                                      |
| 1 342 14 |             |                        | transparent | Earth + Neutral |                                      |
| 1 346 14 |             |                        | transparent | Earth + Neutral |                                      |
| 1 341 28 | 1           | 8                      | white       | Earth           | 6 kA                                 |
| 1 342 08 |             |                        | white       | Earth + Neutral |                                      |
| 1 343 48 |             |                        | white       | X Neutral       |                                      |
| 1 346 08 |             |                        | white       | Earth + Neutral |                                      |
| 1 341 38 |             |                        | transparent | Earth           |                                      |
| 1 342 18 |             |                        | transparent | Earth + Neutral |                                      |
| 1 346 18 |             |                        | transparent | Earth + Neutral |                                      |
| 1 343 58 |             |                        | transparent | X Neutral       |                                      |

**Practibox S surface-mounting cabinets  
with unprotected terminal blocks on  
a support**

Cat. No(s): 1 341 24/28/34/38 - 1 342 04/08/14/18  
1 343 48/58 - 1 346 04/08/14/18 - 1 351 21/22/23/24/31/32/33/34  
1 352 01/02/03/04/11/12/13/14/61/62/63/64/71/72/73/74  
1 353 41/42/43/44/51/52/53/54 - 1 354 21/22/23/24/31/32/33/34  
1 356 01/02/03/04/11/12/13/14 - 1 371 25/26/27/28/29/35/36/37/38/39  
1 372 05/06/07/08/09/15/16/17/18/19/65/66/67/68/69/75/76/77/78/79  
1 373 46/47/48/49/56/57/58/59 - 1 374 25/26/27/28/29/35/36/37/38/39  
1 375 26/27/28/29/36/37/38/39 - 1 376 05/06/07/08/09/15/16/17/18/19

**2. RANGES** (continued)

| Cat. No. | No. of rows | No. of modules per row | Door colour | Terminal block    | Terminal block short-circuit current |
|----------|-------------|------------------------|-------------|-------------------|--------------------------------------|
| 1 351 21 | 1           | 12                     | white       | Earth             | 6 kA                                 |
| 1 352 01 |             |                        | white       | Earth + Neutral   |                                      |
| 1 352 61 |             |                        | white       | Earth + X Neutral | 10 kA                                |
| 1 353 41 |             |                        | white       | X Neutral         | 6 kA                                 |
| 1 354 21 |             |                        | white       | Earth + X Neutral |                                      |
| 1 356 01 |             |                        | white       | Earth + Neutral   | 10 kA                                |
| 1 352 11 |             |                        | transparent | Earth + Neutral   |                                      |
| 1 352 71 |             |                        | transparent | Earth + X Neutral | 6 kA                                 |
| 1 353 51 |             |                        | transparent | X Neutral         |                                      |
| 1 354 31 |             |                        | transparent | Earth + X Neutral | 6 kA                                 |
| 1 356 11 |             |                        | transparent | Earth + Neutral   |                                      |
| 1 351 22 |             |                        | 2           | 12                | white                                |
| 1 352 02 | white       | Earth + Neutral        |             |                   |                                      |
| 1 352 62 | white       | Earth + X Neutral      |             |                   | 10 kA                                |
| 1 353 42 | white       | X Neutral              |             |                   | 6 kA                                 |
| 1 354 22 | white       | Earth + X Neutral      |             |                   |                                      |
| 1 356 02 | white       | Earth + Neutral        |             |                   | 10 kA                                |
| 1 351 32 | transparent | Earth                  |             |                   |                                      |
| 1 352 12 | transparent | Earth + Neutral        |             |                   | 6 kA                                 |
| 1 352 72 | transparent | Earth + X Neutral      |             |                   |                                      |
| 1 353 52 | transparent | X Neutral              |             |                   | 6 kA                                 |
| 1 354 32 | transparent | Earth + X Neutral      |             |                   |                                      |
| 1 356 12 | transparent | Earth + Neutral        |             |                   |                                      |
| 1 351 23 | 3           | 12                     | white       | Earth             | 6 kA                                 |
| 1 352 03 |             |                        | white       | Earth + Neutral   |                                      |
| 1 352 63 |             |                        | white       | Earth + X Neutral | 10 kA                                |
| 1 353 43 |             |                        | white       | X Neutral         | 6 kA                                 |
| 1 354 23 |             |                        | white       | Earth + X Neutral |                                      |
| 1 356 03 |             |                        | white       | Earth + Neutral   | 10 kA                                |
| 1 351 33 |             |                        | transparent | Earth             |                                      |
| 1 352 13 |             |                        | transparent | Earth + Neutral   | 6 kA                                 |
| 1 352 73 |             |                        | transparent | Earth + X Neutral |                                      |
| 1 353 53 |             |                        | transparent | X Neutral         | 6 kA                                 |
| 1 354 33 |             |                        | transparent | Earth + X Neutral |                                      |
| 1 356 13 |             |                        | transparent | Earth + Neutral   |                                      |

**Practibox S surface-mounting cabinets  
with unprotected terminal blocks on  
a support**

Cat. No(s): 1 341 24/28/34/38 - 1 342 04/08/14/18  
1 343 48/58 - 1 346 04/08/14/18 - 1 351 21/22/23/24/31/32/33/34  
1 352 01/02/03/04/11/12/13/14/61/62/63/64/71/72/73/74  
1 353 41/42/43/44/51/52/53/54 - 1 354 21/22/23/24/31/32/33/34  
1 356 01/02/03/04/11/12/13/14 - 1 371 25/26/27/28/29/35/36/37/38/39  
1 372 05/06/07/08/09/15/16/17/18/19/65/66/67/68/69/75/76/77/78/79  
1 373 46/47/48/49/56/57/58/59 - 1 374 25/26/27/28/29/35/36/37/38/39  
1 375 26/27/28/29/36/37/38/39 - 1 376 05/06/07/08/09/15/16/17/18/19

**2. RANGES** (continued)

| Cat. No. | No. of rows | No. of modules per row | Door colour | Terminal block    | Terminal block short-circuit current |                 |       |       |
|----------|-------------|------------------------|-------------|-------------------|--------------------------------------|-----------------|-------|-------|
| 1 351 24 | 4           | 12                     | white       | Earth             | 6 kA                                 |                 |       |       |
| 1 352 04 |             |                        | white       | Earth + Neutral   |                                      |                 |       |       |
| 1 352 64 |             |                        | white       | Earth + X Neutral | 10 kA                                |                 |       |       |
| 1 353 44 |             |                        | white       | X Neutral         | 6 kA                                 |                 |       |       |
| 1 354 24 |             |                        | white       | Earth + X Neutral |                                      |                 |       |       |
| 1 356 04 |             |                        | white       | Earth + Neutral   |                                      |                 |       |       |
| 1 351 34 |             |                        | transparent | Earth             |                                      |                 |       |       |
| 1 352 14 |             |                        | transparent | Earth + Neutral   | 10 kA                                |                 |       |       |
| 1 352 74 |             |                        | transparent | Earth + X Neutral |                                      |                 |       |       |
| 1 353 54 |             |                        | transparent | X Neutral         | 6 kA                                 |                 |       |       |
| 1 354 34 |             |                        | transparent | Earth + X Neutral |                                      |                 |       |       |
| 1 356 14 |             |                        | transparent | Earth + Neutral   |                                      |                 |       |       |
| 1 371 26 |             |                        | 1           | 18                | white                                | Earth           | 10 kA |       |
| 1 372 06 |             |                        |             |                   | white                                | Earth + Neutral |       |       |
| 1 372 66 | white       | Earth + X Neutral      |             |                   |                                      |                 |       |       |
| 1 373 46 | white       | X Neutral              |             |                   |                                      |                 |       |       |
| 1 374 26 | white       | Earth + X Neutral      |             |                   |                                      |                 |       |       |
| 1 375 26 | white       | Earth                  |             |                   |                                      |                 |       |       |
| 1 376 06 | white       | Earth + Neutral        |             |                   |                                      |                 |       |       |
| 1 371 36 | transparent | Earth                  |             |                   |                                      |                 |       |       |
| 1 372 16 | transparent | Earth + Neutral        |             |                   |                                      |                 |       |       |
| 1 372 76 | transparent | Earth + X Neutral      |             |                   |                                      |                 |       |       |
| 1 373 56 | transparent | X Neutral              |             |                   |                                      |                 |       |       |
| 1 374 36 | transparent | Earth + X Neutral      |             |                   |                                      |                 |       |       |
| 1 375 36 | transparent | Earth                  |             |                   |                                      |                 |       |       |
| 1 376 16 | transparent | Earth + Neutral        |             |                   |                                      |                 |       |       |
| 1 371 27 | 2           | 18                     |             |                   | white                                | Earth           |       | 10 kA |
| 1 372 07 |             |                        |             |                   | white                                | Earth + Neutral |       |       |
| 1 372 67 |             |                        | white       | Earth + X Neutral |                                      |                 |       |       |
| 1 374 27 |             |                        | white       | Earth + X Neutral |                                      |                 |       |       |
| 1 375 27 |             |                        | white       | Earth             |                                      |                 |       |       |
| 1 376 07 |             |                        | white       | Earth + Neutral   |                                      |                 |       |       |
| 1 373 47 |             |                        | white       | X Neutral         |                                      |                 |       |       |
| 1 371 37 |             |                        | transparent | Earth             |                                      |                 |       |       |
| 1 372 17 |             |                        | transparent | Earth + Neutral   |                                      |                 |       |       |
| 1 372 77 |             |                        | transparent | Earth + X Neutral |                                      |                 |       |       |
| 1 374 37 |             |                        | transparent | Earth + X Neutral |                                      |                 |       |       |
| 1 375 37 |             |                        | transparent | Earth             |                                      |                 |       |       |
| 1 376 17 |             |                        | transparent | Earth + Neutral   |                                      |                 |       |       |
| 1 373 57 |             |                        | transparent | X Neutral         |                                      |                 |       |       |

**Practibox S surface-mounting cabinets  
with unprotected terminal blocks on  
a support**

Cat. No(s): 1 341 24/28/34/38 - 1 342 04/08/14/18  
 1 343 48/58 - 1 346 04/08/14/18 - 1 351 21/22/23/24/31/32/33/34  
 1 352 01/02/03/04/11/12/13/14/61/62/63/64/71/72/73/74  
 1 353 41/42/43/44/51/52/53/54 - 1 354 21/22/23/24/31/32/33/34  
 1 356 01/02/03/04/11/12/13/14 - 1 371 25/26/27/28/29/35/36/37/38/39  
 1 372 05/06/07/08/09/15/16/17/18/19/65/66/67/68/69/75/76/77/78/79  
 1 373 46/47/48/49/56/57/58/59 - 1 374 25/26/27/28/29/35/36/37/38/39  
 1 375 26/27/28/29/36/37/38/39 - 1 376 05/06/07/08/09/15/16/17/18/19

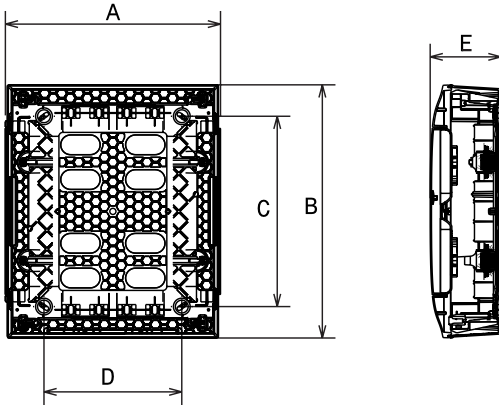
**2. RANGES** (continued)

| Cat. Nos. | No. of rows | No. of modules per row | Door colour | Terminal block    | Terminal block short-circuit current |
|-----------|-------------|------------------------|-------------|-------------------|--------------------------------------|
| 1 371 28  | 3           | 18                     | white       | Earth             | 10 kA                                |
| 1 372 08  |             |                        | white       | Earth + Neutral   |                                      |
| 1 372 68  |             |                        | white       | Earth + X Neutral |                                      |
| 1 373 48  |             |                        | white       | X Neutral         |                                      |
| 1 374 28  |             |                        | white       | Earth + X Neutral |                                      |
| 1 375 28  |             |                        | white       | Earth             |                                      |
| 1 376 08  |             |                        | white       | Earth + Neutral   |                                      |
| 1 371 38  |             |                        | transparent | Earth             |                                      |
| 1 372 18  |             |                        | transparent | Earth + Neutral   |                                      |
| 1 372 78  |             |                        | transparent | Earth + X Neutral |                                      |
| 1 373 58  |             |                        | transparent | X Neutral         |                                      |
| 1 374 38  |             |                        | transparent | Earth + X Neutral |                                      |
| 1 375 38  |             |                        | transparent | Earth             |                                      |
| 1 376 18  |             |                        | transparent | Earth + Neutral   |                                      |
| 1 371 29  |             |                        | 4           | 18                |                                      |
| 1 372 09  | white       | Earth + Neutral        |             |                   |                                      |
| 1 372 69  | white       | Earth + X Neutral      |             |                   |                                      |
| 1 373 49  | white       | X Neutral              |             |                   |                                      |
| 1 374 29  | white       | Earth + X Neutral      |             |                   |                                      |
| 1 375 29  | white       | Earth                  |             |                   |                                      |
| 1 376 09  | white       | Earth + Neutral        |             |                   |                                      |
| 1 371 39  | transparent | Earth                  |             |                   |                                      |
| 1 372 19  | transparent | Earth + Neutral        |             |                   |                                      |
| 1 372 79  | transparent | Earth + X Neutral      |             |                   |                                      |
| 1 373 59  | transparent | X Neutral              |             |                   |                                      |
| 1 374 39  | transparent | Earth + X Neutral      |             |                   |                                      |
| 1 375 39  | transparent | Earth                  |             |                   |                                      |
| 1 376 19  | transparent | Earth + Neutral        |             |                   |                                      |
| 1 371 25  | 1           | 22                     |             |                   | white                                |
| 1 372 05  |             |                        | white       | Earth + Neutral   |                                      |
| 1 372 65  |             |                        | white       | Earth + X Neutral |                                      |
| 1 374 25  |             |                        | white       | Earth + X Neutral |                                      |
| 1 376 05  |             |                        | white       | Earth + Neutral   |                                      |
| 1 371 35  |             |                        | transparent | Earth             |                                      |
| 1 372 15  |             |                        | transparent | Earth + Neutral   |                                      |
| 1 372 75  |             |                        | transparent | Earth + X Neutral |                                      |
| 1 374 35  |             |                        | transparent | Earth + X Neutral |                                      |
| 1 376 15  |             |                        | transparent | Earth + Neutral   |                                      |

# Practibox S surface-mounting cabinets with unprotected terminal blocks on a support

Cat. No(s): 1 341 24/28/34/38 - 1 342 04/08/14/18  
 1 343 48/58 - 1 346 04/08/14/18 - 1 351 21/22/23/24/31/32/33/34  
 1 352 01/02/03/04/11/12/13/14/61/62/63/64/71/72/73/74  
 1 353 41/42/43/44/51/52/53/54 - 1 354 21/22/23/24/31/32/33/34  
 1 356 01/02/03/04/11/12/13/14 - 1 371 25/26/27/28/29/35/36/37/38/39  
 1 372 05/06/07/08/09/15/16/17/18/19/65/66/67/68/69/75/76/77/78/79  
 1 373 46/47/48/49/56/57/58/59 - 1 374 25/26/27/28/29/35/36/37/38/39  
 1 375 26/27/28/29/36/37/38/39 - 1 376 05/06/07/08/09/15/16/17/18/19

## 3. DIMENSIONS



| Cat. Nos.  | No. of rows | No. of modules per row | A (mm) | B (mm) | C (mm) | D (mm) | E (mm) |
|--|-------------|------------------------|--------|--------|--------|--------|--------|
| 1 341 24/34 - 1 342 04/14 - 1 346 04/14  | 1           | 4                      | 184    | 216    | 120    | 72     | 100    |
| 1 341 28/38 - 1 342 08/18 - 1 343 48/58 - 1 346 08/18                                    | 1           | 8                      | 256    | 226    | 120    | 150    | 100    |
| 1 351 21/31 - 1 352 01/11/61/71 - 1 353 41/51 - 1 354 21/31<br>1 356 01/11               | 1           | 12                     | 328    | 236    | 140    | 210    | 107    |
| 1 351 22/32 - 1 352 02/12/62/72<br>1 353 42/52 - 1 354 22/32 - 1 356 02/12               | 2           | 12                     | 328    | 386    | 290    | 210    | 108    |
| 1 351 23/33 - 1 352 03/13/63/73<br>1 353 43/53 - 1 354 23/33 - 1 356 03/13               | 3           | 12                     | 328    | 536    | 440    | 210    | 108    |
| 1 351 24/34 - 1 352 04/14/64/74<br>1 353 44/54 - 1 354 24/34 - 1 356 04/14               | 4           | 12                     | 328    | 766    | 600    | 210    | 108    |
| 1 371 26/36 - 1 372 06/16/66/76<br>1 373 46/56 - 1 374 26/36 - 1 375 26/36 - 1 376 06/16 | 1           | 18                     | 436    | 236    | 140    | 320    | 107    |
| 1 371 27/37 - 1 372 07/17/67/77 - 1 373 47/57<br>1 374 27/37 - 1 375 27/37 - 1 376 07/17 | 2           | 18                     | 436    | 386    | 290    | 320    | 108    |
| 1 371 28/38 - 1 372 08/18/68/78<br>1 373 48/58 - 1 374 28/38 - 1 375 28/38 - 1 376 08/18 | 3           | 18                     | 436    | 616    | 470    | 320    | 108    |
| 1 371 29/39 - 1 372 09/19/69/79<br>1 373 49/59 - 1 374 29/39 - 1 375 29/39 - 1 376 09/19 | 4           | 18                     | 436    | 766    | 620    | 320    | 108    |
| 1 371 25/35 - 1 372 05/15/65/75<br>1 374 25/35 - 1 376 05/15                             | 1           | 22                     | 508    | 236    | 140    | 390    | 107    |

# Practibox S surface-mounting cabinets with unprotected terminal blocks on a support

Cat. No(s): 1 341 24/28/34/38 - 1 342 04/08/14/18  
 1 343 48/58 - 1 346 04/08/14/18 - 1 351 21/22/23/24/31/32/33/34  
 1 352 01/02/03/04/11/12/13/14/61/62/63/64/71/72/73/74  
 1 353 41/42/43/44/51/52/53/54 - 1 354 21/22/23/24/31/32/33/34  
 1 356 01/02/03/04/11/12/13/14 - 1 371 25/26/27/28/29/35/36/37/38/39  
 1 372 05/06/07/08/09/15/16/17/18/19/65/66/67/68/69/75/76/77/78/79  
 1 373 46/47/48/49/56/57/58/59 - 1 374 25/26/27/28/29/35/36/37/38/39  
 1 375 26/27/28/29/36/37/38/39 - 1 376 05/06/07/08/09/15/16/17/18/19

## 4. GENERAL CHARACTERISTICS

### ■ 4.1 Technical characteristics

- . Cover colour: white RAL 9003
- . Door colour: white RAL 9003 or transparent (smoked)
- . Protection index: IP40 - IK07 with door conforming to IEC 60 670-24 Edition 2.0 2011-03
- . Self-extinguishing in accordance with IEC 60695-2-11 Edition 2.0 2014-02: 650°C
- . Class II double insulation
- . Rated operating voltage: 400 VAC - 50/60 Hz
- . Rated insulation voltage: 400 VAC - 50/60 Hz
- . Rated impulse withstand voltage: Uimp = 6 kV
- . Short-circuit current: Icc max 10 kA
- . Storage and installation temperature: -20°C to +70°C
- . Usage temperature: -10°C to +40°C
- . Permissible loads: 40 N per row
- . Operating torque of cover screws: 1.2 Nm
- . Enclosures classified GP and PD
- . Maximum permissible current and dissipated power:

| Cat. Nos.   | No. of rows | Modules per row | Max. permissible current (A) | Dissipated power (Pde) |
|---|-------------|-----------------|------------------------------|------------------------|
| 1 341 24/34 - 1 342 04/14 - 1 346 04/14   | 1           | 4               | 40 A                         | 12 W                   |
| 1 341 28/38 - 1 342 08/18 - 1 343 48/58 - 1 346 08/18                                     | 1           | 8               | 63 A                         | 14 W                   |
| 1 351 21/31 - 1 352 01/11/61/71 - 1 353 41/51<br>1 354 21/31 - 1 356 01/11                | 1           | 12              | 63 A                         | 19 W                   |
| 1 351 22/32 - 1 352 02/12/1962/72 - 1 353 42/52<br>1 354 22/32 - 1 356 02/12              | 2           | 12              | 90 A                         | 28 W                   |
| 1 351 23/33 - 1 352 03/13/63/73 - 1 353 43/53<br>1 354 23/33 - 1 356 03/13                | 3           | 12              | 90 A                         | 38 W                   |
| 1 351 24/34 - 1 352 04/14/64/74 - 1 353 44/54<br>1 354 24/34 - 1 356 04/14                | 4           | 12              | 90 A                         | 50 W                   |
| 1 371 26/36 - 1 372 06/16/66/76 - 1 373 46/56<br>1 374 26/36 - 1 375 26/36 - 1 376 06/16  | 1           | 18              | 63 A                         | 25 W                   |
| 1 371 27/37 - 1 372 07/17/67/77 - 1 373 47/57<br>1 374 27/37 - 1 375 27/37 - 1 376 07/17  | 2           | 18              | 90 A                         | 35 W                   |
| 1 371 28/38 - 1 372 08/18/68/78 - 1 373 48/58<br>1 374 28/38 - 1 375 28/38 - 1 376 08/18  | 3           | 18              | 90 A                         | 49 W                   |
| 1 371 29/39 - 1 372 09/19/69/79 - 1 373 49/59<br>1 374 29/39 - 1 375 029/39 - 1 376 09/19 | 4           | 18              | 90 A                         | 58 W                   |
| 1 371 35 - 1 372 05/15/65/75 - 1 374 25/35<br>1 376 05/15                                 | 1           | 22              | 90 A                         | 30 W                   |

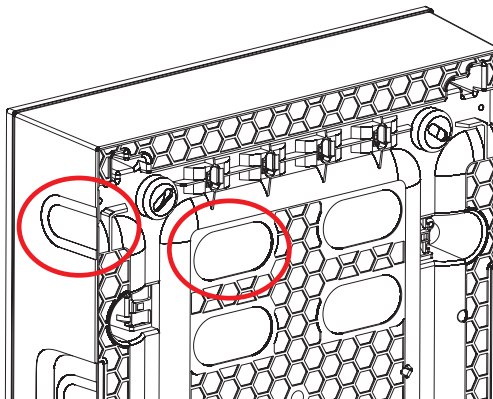
**Practibox S surface-mounting cabinets  
with unprotected terminal blocks on  
a support**

Cat. No(s): 1 341 24/28/34/38 - 1 342 04/08/14/18  
 1 343 48/58 - 1 346 04/08/14/18 - 1 351 21/22/23/24/31/32/33/34  
 1 352 01/02/03/04/11/12/13/14/61/62/63/64/71/72/73/74  
 1 353 41/42/43/44/51/52/53/54 - 1 354 21/22/23/24/31/32/33/34  
 1 356 01/02/03/04/11/12/13/14 - 1 371 25/26/27/28/29/35/36/37/38/39  
 1 372 05/06/07/08/09/15/16/17/18/19/65/66/67/68/69/75/76/77/78/79  
 1 373 46/47/48/49/56/57/58/59 - 1 374 25/26/27/28/29/35/36/37/38/39  
 1 375 26/27/28/29/36/37/38/39 - 1 376 05/06/07/08/09/15/16/17/18/19

**4. GENERAL CHARACTERISTICS** (continued)

■ **4.2 Tube entries**

| Cat. Nos.   | No. of rows | No. of modules per row | Ø30 mm tube at the back of the box | Ø30 mm tube on the right of the box | Ø30 mm tube on the left of the box | 46x30 mm oblong hole at the back of the box |
|---|-------------|------------------------|------------------------------------|-------------------------------------|------------------------------------|---|
| 1 341 24/34 - 1 342 04/14 - 1 346 04/14   | 1           | 4                      | 2                                  | 2                                   | 2                                  | -   |
| 1 341 28/38 - 1 342 08/18 - 1 343 48/58 - 1 346 08/18                                     | 1           | 8                      | -                                  | 2                                   | 2                                  | 2   |
| 1 351 21/31 - 1 352 01/11/61/71 - 1 353 41/51<br>1 354 21/31 - 1 356 01/11                | 1           | 12                     | -                                  | 2                                   | 2                                  | 4   |
| 1 351 22/32 - 1 352 02/12/1962/72 - 1 353 42/52<br>1 354 22/32 - 1 356 02/12              | 2           | 12                     | -                                  | 4                                   | 4                                  | 8   |
| 1 351 23/33 - 1 352 03/13/63/73 - 1 353 43/53<br>1 354 23/33 - 1 356 03/13                | 3           | 12                     | -                                  | 6                                   | 6                                  | 12  |
| 1 351 24/34 - 1 352 04/14/64/74 - 1 353 44/54<br>1 354 24/34 - 1 356 04/14                | 4           | 12                     | -                                  | 8                                   | 8                                  | 16  |
| 1 371 26/36 - 1 372 06/16/66/76 - 1 373 46/56<br>1 374 26/36 - 1 375 26/36 - 1 376 06/16  | 1           | 18                     | -                                  | 2                                   | 2                                  | 6   |
| 1 371 27/37 - 1 372 07/17/67/77 - 1 373 47/57<br>1 374 27/37 - 1 375 27/37 - 1 376 07/17  | 2           | 18                     | -                                  | 4                                   | 4                                  | 12  |
| 1 371 28/38 - 1 372 08/18/68/78 - 1 373 48/58<br>1 374 28/38 - 1 375 28/38 - 1 376 08/18  | 3           | 18                     | -                                  | 6                                   | 6                                  | 18  |
| 1 371 29/39 - 1 372 09/19/69/79 - 1 373 49/59<br>1 374 29/39 - 1 375 029/39 - 1 376 09/19 | 4           | 18                     | -                                  | 8                                   | 8                                  | 24  |
| 1 371 25/35 - 1 372 05/15/65/75 - 1 374 25/35<br>1 376 05/15                              | 1           | 22                     | -                                  | 2                                   | 2                                  | 8   |

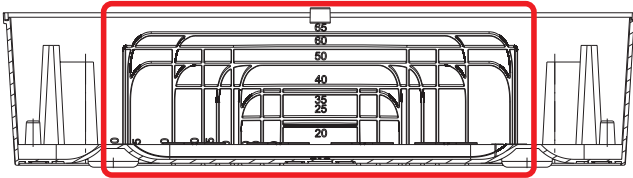


# Practibox S surface-mounting cabinets with unprotected terminal blocks on a support

Cat. No(s): 1 341 24/28/34/38 - 1 342 04/08/14/18  
 1 343 48/58 - 1 346 04/08/14/18 - 1 351 21/22/23/24/31/32/33/34  
 1 352 01/02/03/04/11/12/13/14/61/62/63/64/71/72/73/74  
 1 353 41/42/43/44/51/52/53/54 - 1 354 21/22/23/24/31/32/33/34  
 1 356 01/02/03/04/11/12/13/14 - 1 371 25/26/27/28/29/35/36/37/38/39  
 1 372 05/06/07/08/09/15/16/17/18/19/65/66/67/68/69/75/76/77/78/79  
 1 373 46/47/48/49/56/57/58/59 - 1 374 25/26/27/28/29/35/36/37/38/39  
 1 375 26/27/28/29/36/37/38/39 - 1 376 05/06/07/08/09/15/16/17/18/19

## 4. GENERAL CHARACTERISTICS (continued)

### 4.3 Duct entries



| Cat. Nos.  | No. of rows | No. of modules per row | 105x35 mm or 105x50 mm duct on right of cabinet | 105x35 mm or 105x50 mm duct on left of cabinet | 25x20 mm to 90x60 mm duct at top of cabinet | 40x20 mm to 200x65 mm duct at top of cabinet |
|--|-------------|------------------------|---|--|---|--|
| 1 341 24/34 - 1 342 04/14 - 1 346 04/14  | 1           | 4                      | -   | -  | 1   | -  |
| 1 341 28/38 - 1 342 08/18 - 1 343 48/58 - 1 346 08/18                                      | 1           | 8                      | -   | -  | 1   | -  |
| 1 351 21/31 - 1 352 01/11/1961/71<br>1 353 41/51 - 1 354 21/31 - 1 356 01/11               | 1           | 12                     | -   | -  | -   | 1  |
| 1 351 22/32 - 1 352 02/12/62/72<br>1 353 42/52 - 1 354 22/32 - 1 356 02/12                 | 2           | 12                     | 1   | 1  | -   | 1  |
| 1 351 23/33 - 1 352 03/13/63/73<br>1 353 43/53 - 1 354 23/33 - 1 356 03/13                 | 3           | 12                     | 2   | 2  | -   | 1  |
| 1 351 24/34 - 1 352 04/14/64/74<br>1 353 44/54 - 1 354 24/34 - 1 356 04/14                 | 4           | 12                     | 3   | 3  | -   | 1  |
| 1 371 26/36 - 1 372 06/16/66/76<br>1 373 46/56 - 1 374 26/36<br>1 375 26/36 - 1 376 06/16  | 1           | 18                     | -   | -  | -   | 1  |
| 1 371 27/37 - 1 372 07/17/67/77<br>1 373 47/57 - 1 374 27/37<br>1 375 27/37 - 1 376 07/17  | 2           | 18                     | 1   | 1  | -   | 1  |
| 1 371 28/38 - 1 372 08/18/68/78<br>1 373 48/58 - 1 374 28/38<br>1 375 28/38 - 1 376 08/18  | 3           | 18                     | 2   | 2  | -   | 1  |
| 1 371 29/39 - 1 372 09/19/69/79<br>1 373 49/59 - 1 374 29/39<br>1 375 029/39 - 1 376 09/19 | 4           | 18                     | 3   | 3  | -   | 1  |
| 1 371 25/35 - 1 372 05/15/65/75<br>1 374 25/35 - 1 376 05/15                               | 1           | 22                     | -   | -  | -   | 1  |

### 4.4 Materials

- . Cover, base, white door, blanking plate: polystyrene (PS)
- . Transparent door: Methacrylate Acrylonitrile Butadiene Styrene (MABS)
- . Rails: galvanised steel
- . Screws: steel
- . Terminal block support: polycarbonate (PC)
- . Injection-moulded caps: Styrene Butadiene Styrene (SBS)
- . Terminal block: brass



# Practibox S surface-mounting cabinets with unprotected terminal blocks on a support

Cat. No(s): 1 341 24/28/34/38 - 1 342 04/08/14/18  
1 343 48/58 - 1 346 04/08/14/18 - 1 351 21/22/23/24/31/32/33/34  
1 352 01/02/03/04/11/12/13/14/61/62/63/64/71/72/73/74  
1 353 41/42/43/44/51/52/53/54 - 1 354 21/22/23/24/31/32/33/34  
1 356 01/02/03/04/11/12/13/14 - 1 371 25/26/27/28/29/35/36/37/38/39  
1 372 05/06/07/08/09/15/16/17/18/19/65/66/67/68/69/75/76/77/78/79  
1 373 46/47/48/49/56/57/58/59 - 1 374 25/26/27/28/29/35/36/37/38/39  
1 375 26/27/28/29/36/37/38/39 - 1 376 05/06/07/08/09/15/16/17/18/19

## 4. GENERAL CHARACTERISTICS (continued)

### ■ 4.5 Terminal block capacity

Cabinets with 1x4, 1x8, 1x12, 1x18 modules

| Cat. Nos.                                      | No. of rows | Modules per row | Earth terminal block, screw terminals |                        |                        | Neutral terminal block, screw terminals |                        |                        |
|--|-------------|-----------------|---------------------------------------|------------------------|------------------------|---|------------------------|------------------------|
|  |             |                 | 6-25 mm <sup>2</sup>                  | 1.5-16 mm <sup>2</sup> | 1.5-10 mm <sup>2</sup> | 6-25 mm <sup>2</sup>                    | 1.5-16 mm <sup>2</sup> | 1.5-10 mm <sup>2</sup> |
| 1 341 24/34                                    | 1           | 4               | -                                     | 2                      | 2                      | -                                       | -                      | -                      |
| 1 342 04/14 - 1 346 04/14                      |             |                 | -                                     | 2                      | 2                      | -                                       | 2                      | 2                      |
| 1 341 28/38                                    | 1           | 8               | -                                     | 3                      | 3                      | -                                       | -                      | -                      |
| 1 343 48/58                                    |             |                 | -                                     | -                      | -                      | -                                       | 3                      | 3                      |
| 1 342 08/18 - 1 346 08/18                      |             |                 | -                                     | 3                      | 3                      | -                                       | 3                      | 3                      |
| 1 351 21/31                                    | 1           | 12              | -                                     | 5                      | 5                      | -                                       | -                      | -                      |
| 1 353 41/51                                    |             |                 | -                                     | -                      | -                      | -                                       | 5                      | 5                      |
| 1 352 01/11/61/71<br>1 354 21/31 - 1 356 01/11 |             |                 | -                                     | 5                      | 5                      | -                                       | 5                      | 5                      |
| 1 371 26/36 - 1 375 26/36                      |             |                 | 1                                     | 12                     | -                      | -                                       | -                      | -                      |
| 1 373 46/56                                    | 1           | 18              | -                                     | -                      | -                      | 1                                       | 12                     | -                      |
| 1 372 06/16/66/76<br>1 374 26/36 - 1 376 06/16 |             |                 | 1                                     | 12                     | -                      | 1                                       | 12                     | -                      |
| 1 375 26/36                                    |             |                 | 1                                     | 16                     | -                      | -                                       | -                      | -                      |

Cabinets with 12 multi-row modules

| Cat. Nos.                        | No. of rows | Modules per row | Earth terminal block |                        |                        | Neutral terminal block |                        |                        |
|----------------------------------|-------------|-----------------|----------------------|------------------------|------------------------|------------------------|------------------------|------------------------|
|                                  |             |                 | Screw terminals      |                        |                        | Screw terminals        |                        |                        |
|                                  |             |                 | 6-25 mm <sup>2</sup> | 1.5-16 mm <sup>2</sup> | 1.5-10 mm <sup>2</sup> | 6-25 mm <sup>2</sup>   | 1.5-16 mm <sup>2</sup> | 1.5-10 mm <sup>2</sup> |
| 1 351 22/32                      | 2           | 12              | -                    | 8                      | 8                      | -                      | -                      | -                      |
| 1 353 42/52                      |             |                 | -                    | -                      | -                      | -                      | 2x5                    | 2x5                    |
| 1 352 02/12<br>3 356 02/12       |             |                 | -                    | 8                      | 8                      | -                      | 8                      | 8                      |
| 1 352 62/72                      |             |                 | -                    | 9                      | 9                      | -                      | 9                      | 9                      |
| 1 354 22/32                      |             |                 | -                    | 9                      | 9                      | -                      | 2x5                    | 2x5                    |
| 1 351 23/33                      | 3           | 12              | -                    | 12                     | 12                     | -                      | -                      | -                      |
| 1 353 43/53                      |             |                 | -                    | -                      | -                      | -                      | 3x5                    | 3x5                    |
| 1 352 03/13<br>1 356 03/13       |             |                 | -                    | 12                     | 12                     | -                      | 12                     | 12                     |
| 1 354 23/33                      |             |                 | -                    | 14                     | 14                     | -                      | 2x5                    | 2x5                    |
| 1 351 24/34                      | 4           | 12              | -                    | 16                     | 16                     | -                      | -                      | -                      |
| 1 353 44/54                      |             |                 | -                    | -                      | -                      | -                      | 4x5                    | 4x5                    |
| 1 352 04/14/64/74<br>1 356 04/14 |             |                 | -                    | 16                     | 16                     | -                      | 16                     | 16                     |
| 1 354 24/34                      |             |                 | -                    | 16                     | 16                     | -                      | 2x5                    | 2x5                    |

# Practibox S surface-mounting cabinets with unprotected terminal blocks on a support

Cat. No(s): 1 341 24/28/34/38 - 1 342 04/08/14/18  
 1 343 48/58 - 1 346 04/08/14/18 - 1 351 21/22/23/24/31/32/33/34  
 1 352 01/02/03/04/11/12/13/14/61/62/63/64/71/72/73/74  
 1 353 41/42/43/44/51/52/53/54 - 1 354 21/22/23/24/31/32/33/34  
 1 356 01/02/03/04/11/12/13/14 - 1 371 25/26/27/28/29/35/36/37/38/39  
 1 372 05/06/07/08/09/15/16/17/18/19/65/66/67/68/69/75/76/77/78/79  
 1 373 46/47/48/49/56/57/58/59 - 1 374 25/26/27/28/29/35/36/37/38/39  
 1 375 26/27/28/29/36/37/38/39 - 1 376 05/06/07/08/09/15/16/17/18/19

## 4. GENERAL CHARACTERISTICS (continued)

Cabinets with 18 multi-row modules

| Cat. Nos.                        | No. of rows | Modules per row | Earth terminal block |                        |                        | Neutral terminal block |                        |                        |
|----------------------------------|-------------|-----------------|----------------------|------------------------|------------------------|------------------------|------------------------|------------------------|
|                                  |             |                 | Screw terminals      |                        |                        | Screw terminals        |                        |                        |
|                                  |             |                 | 6-25 mm <sup>2</sup> | 1.5-16 mm <sup>2</sup> | 1.5-10 mm <sup>2</sup> | 6-25 mm <sup>2</sup>   | 1.5-16 mm <sup>2</sup> | 1.5-10 mm <sup>2</sup> |
| 1 373 47/57                      | 2           | 18              | -                    | -                      | -                      | 2x1                    | 2x12                   | -                      |
| 1 371 27/37                      |             |                 | 1                    | 21                     | -                      | -                      | -                      | -                      |
| 1 375 27/37                      |             |                 | 1                    | 26                     | -                      | -                      | -                      | -                      |
| 1 372 07/17<br>1 376 07/17       |             |                 | 1                    | 21                     | -                      | 1                      | 21                     | -                      |
| 1 374 27/37                      |             |                 | 1                    | 26                     | -                      | 2x1                    | 2x12                   | -                      |
| 1 372 67/77                      |             |                 | 1                    | 26                     | -                      | 1                      | 26                     | -                      |
| 1 371 28/38<br>1 375 28/38       | 3           | 18              | 2                    | 33                     | -                      | -                      | -                      | -                      |
| 1 372 08/18/68/78<br>1 376 08/18 |             |                 | 2                    | 33                     | -                      | 2                      | 33                     | -                      |
| 1 374 28/38                      |             |                 | 2                    | 33                     | -                      | 2x1                    | 2x12                   | -                      |
| 1 373 48/58                      |             |                 | -                    | -                      | -                      | 3x1                    | 3x12                   | -                      |
| 1 371 29/39<br>1 375 29/39       | 4           | 18              | 2                    | 33                     | -                      | -                      | -                      | -                      |
| 1 373 49/59                      |             |                 | -                    | -                      | -                      | 4x1                    | 4x12                   | -                      |
| 1 372 09/19/69/79<br>1 376 09/19 |             |                 | 2                    | 33                     | -                      | 2                      | 33                     | -                      |
| 1 374 29/39                      |             |                 | 2                    | 33                     | -                      | 2x1                    | 2x12                   | -                      |

22-module cabinets

| Cat. Nos.                                      | No. of rows | Modules per row | Earth terminal block, screw terminals |                        |                        | Neutral terminal block, screw terminals |                        |                        |
|--|-------------|-----------------|---------------------------------------|------------------------|------------------------|---|------------------------|------------------------|
|  |             |                 | 6-25 mm <sup>2</sup>                  | 1.5-16 mm <sup>2</sup> | 1.5-10 mm <sup>2</sup> | 6-25 mm <sup>2</sup>                    | 1.5-16 mm <sup>2</sup> | 1.5-10 mm <sup>2</sup> |
| 1 371 25/35                                    | 1           | 22              | 1                                     | 16                     | -                      | -                                       | -                      | -                      |
| 1 372 05/15/65/75<br>1 374 25/35 - 1 376 05/15 |             |                 | 1                                     | 16                     | -                      | 1                                       | 16                     | -                      |

Additional terminal blocks (see section 6.4, page 12)

### 4.6 Accessories supplied with the cabinet

| Cat. Nos.   | Number of rows | Modules per row | 5-module blanking plate | Module identification labels |
|---|----------------|-----------------|-------------------------|------------------------------|
| 1 341 24/34 - 1 342 04/14 - 1 346 04/14               | 1              | 4               | -                       | -                            |
| 1 341 28/38 - 1 342 08/18 - 1 343 48/58 - 1 346 08/18 | 1              | 8               | -                       | -                            |
| 1 353 41/51 - 1 354 21/31                             | 1              | 12              | -                       | -                            |
| 1 351 21/31 - 1 352 01/11/1961/71<br>1 356 01/11      |                |                 | -                       | 1                            |
| 1 353 42/52   | 2              | 12              | -                       | -                            |
| 1 354 22/32   |                |                 | 1                       | -                            |
| 1 351 22/32 - 1 352 02/12/62/72<br>1 356 02/12        |                |                 | 1                       | 2                            |
| 1 353 43/53   | 3              | 12              | -                       | -                            |
| 1 354 23/33   |                |                 | 1                       | -                            |
| 1 351 23/33 - 1 352 03/13/63/73<br>1 356 03/13        |                |                 | 1                       | 3                            |

# Practibox S surface-mounting cabinets with unprotected terminal blocks on a support

Cat. No(s): 1 341 24/28/34/38 - 1 342 04/08/14/18  
 1 343 48/58 - 1 346 04/08/14/18 - 1 351 21/22/23/24/31/32/33/34  
 1 352 01/02/03/04/11/12/13/14/61/62/63/64/71/72/73/74  
 1 353 41/42/43/44/51/52/53/54 - 1 354 21/22/23/24/31/32/33/34  
 1 356 01/02/03/04/11/12/13/14 - 1 371 25/26/27/28/29/35/36/37/38/39  
 1 372 05/06/07/08/09/15/16/17/18/19/65/66/67/68/69/75/76/77/78/79  
 1 373 46/47/48/49/56/57/58/59 - 1 374 25/26/27/28/29/35/36/37/38/39  
 1 375 26/27/28/29/36/37/38/39 - 1 376 05/06/07/08/09/15/16/17/18/19

## 4. GENERAL CHARACTERISTICS (continued)

| Cat. Nos.  | Number of rows | Modules per row | 5-module blanking plate | Module identification labels |
|--|----------------|-----------------|-------------------------|------------------------------|
| 1 353 44/54  | 4              | 12              | -                       | -                            |
| 1 354 24/34  |                |                 | 1                       | -                            |
| 1 351 24/34 - 1 352 04/14/64/74<br>1 356 04/14               |                |                 | 1                       | 4                            |
| 1 373 46/56  | 1              | 18              | -                       | -                            |
| 1 374 26/36  |                |                 | 1                       | -                            |
| 1 371 26/36 - 1 372 06/16/66/76<br>1 375 26/36 - 1 376 06/16 |                |                 | 1                       | 1                            |
| 1 373 47/57  | 2              | 18              | -                       | -                            |
| 1 374 27/37  |                |                 | 1                       | -                            |
| 1 371 27/37 - 1 372 07/17/67/77<br>1 375 27/37 - 1 376 07/17 |                |                 | 1                       | 2                            |
| 1 373 48/58  | 3              | 18              | -                       | -                            |
| 1 374 28/38  |                |                 | 2                       | -                            |
| 1 371 28/38 - 1 372 08/18/68/78<br>1 375 28/38 - 1 376 08/18 |                |                 | 2                       | 3                            |
| 1 373 49/59  | 4              | 18              | -                       | -                            |
| 1 374 29/39  |                |                 | 2                       | -                            |
| 1 371 29/39 - 1 372 09/19/69/79<br>1 375 29/39 - 1 376 09/19 |                |                 | 2                       | 4                            |
| 1 374 25/35  | 1              | 22              | 1                       | -                            |
| 1 371 25/35 - 1 372 05/15/65/75<br>1 376 05/15               |                |                 | 1                       | 1                            |

## 5. COMPLIANCE AND APPROVALS

IEC 60 670-24 Edition 2.0 2011-03

Used to create assemblies conforming to IEC 61 439-3 Edition 1.0 2012-02

IEC 60 695-2-11: 2014-09

RoHS

WEEE

REACH

PEP sheet

## 6. INSTALLATION ADD-ONS

### ■ 6.1 Key lock No. 850 Cat. No. 1 341 00



# Practibox S surface-mounting cabinets with unprotected terminal blocks on a support

Cat. No(s): 1 341 24/28/34/38 - 1 342 04/08/14/18  
 1 343 48/58 - 1 346 04/08/14/18 - 1 351 21/22/23/24/31/32/33/34  
 1 352 01/02/03/04/11/12/13/14/61/62/63/64/71/72/73/74  
 1 353 41/42/43/44/51/52/53/54 - 1 354 21/22/23/24/31/32/33/34  
 1 356 01/02/03/04/11/12/13/14 - 1 371 25/26/27/28/29/35/36/37/38/39  
 1 372 05/06/07/08/09/15/16/17/18/19/65/66/67/68/69/75/76/77/78/79  
 1 373 46/47/48/49/56/57/58/59 - 1 374 25/26/27/28/29/35/36/37/38/39  
 1 375 26/27/28/29/36/37/38/39 - 1 376 05/06/07/08/09/15/16/17/18/19

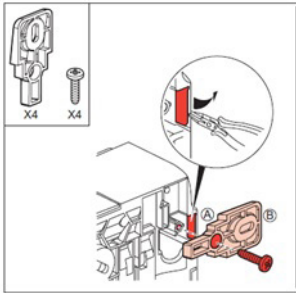
## 6. INSTALLATION ADD-ONS (continued)

### ■ 6.2 External fixing lugs Cat. No. 4 018 56

External fixing lugs can be used on cabinets with 12-18 and 22 modules.

For external fixing if the fixing holes at the back of the cabinet have been rendered inaccessible by prewiring.

Tightening torque of external fixing lug screws: 1.2 Nm



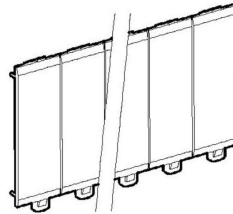
### ■ 6.3 White RAL 9003 blanking plates

Can be separated for each module or half-module

5 modules: Cat. No. 0 016 60

13 modules: Cat. No. 0 016 62

18 modules: Cat. No. 0 016 64



### ■ 6.4 Additional terminal blocks

Additional terminal blocks can be mounted at the top and bottom of cabinets in the designated areas.

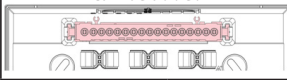
| Cat. Nos.                                       | Size  | Terminal block capacity | Supplied equipped with terminal block on support |                 |              | Accessories                        |                      |  |                      |
|---|-------|-------------------------|--|-----------------|--------------|------------------------------------|----------------------|--|----------------------|
|   |       |                         |  |                 |              | Terminal blocks which can be added |                      | Unprotected terminal blocks which can be added on existing support |                      |
|   |       |                         | No.  | Type            | No. of holes | Cat. Nos.                          | Max. no. to be added | Cat. Nos.  | Max. no. to be added |
| 1 341 24/34                                     | 4M    | 2                       | -  | -               | -            | 1 348 00/10                        | 1                    | -  | -                    |
| 1 342 04/14<br>1 346 04/14                      |       | 2                       | 1  | Earth           | 4            | -                                  | -                    | -  | -                    |
| 1 341 28/38                                     | 8M    | 2                       | -  | -               | -            | 1 348 01/11                        | 1                    | -  | -                    |
| 1 343 48/58                                     |       | 2                       | 1  | Earth           | 6            | -                                  | -                    | 1 348 06   | 1                    |
| 1 342 08/18<br>1 346 08/18                      |       | 2                       | 1  | Neutral         | 6            | 1 348 01/11                        | 1                    | 1 348 06   | 1                    |
| 1 342 08/18<br>1 346 08/18                      | 1x12M | 2                       | -  | -               | 6 + 6        | -                                  | -                    | -  | -                    |
| 1 351 21/31                                     |       | 2                       | 1  | Earth + Neutral | 10           | 1 348 03/13                        | 1                    | -  | -                    |
| 1 353 41/51                                     |       | 2                       | 1  | Earth           | 10           | -                                  | -                    | 1 348 06/07  | 3/1                  |
| 1 352 01/11/61/71<br>1 354 21/31<br>1 356 01/11 | 1x12M | 2                       | -  | -               | 10 + 10      | 1 348 03/13                        | 1                    | 1 348 06/07  | 3/1                  |
|   |       | 2                       | 1  | Neutral         | 10           | -                                  | -                    | 1 348 06   | 1                    |
|   |       | 2                       | -  | -               | -            | 1 348 03/13                        | 1                    | -  | -                    |

# Practibox S surface-mounting cabinets with unprotected terminal blocks on a support

Cat. No(s): 1 341 24/28/34/38 - 1 342 04/08/14/18  
 1 343 48/58 - 1 346 04/08/14/18 - 1 351 21/22/23/24/31/32/33/34  
 1 352 01/02/03/04/11/12/13/14/61/62/63/64/71/72/73/74  
 1 353 41/42/43/44/51/52/53/54 - 1 354 21/22/23/24/31/32/33/34  
 1 356 01/02/03/04/11/12/13/14 - 1 371 25/26/27/28/29/35/36/37/38/39  
 1 372 05/06/07/08/09/15/16/17/18/19/65/66/67/68/69/75/76/77/78/79  
 1 373 46/47/48/49/56/57/58/59 - 1 374 25/26/27/28/29/35/36/37/38/39  
 1 375 26/27/28/29/36/37/38/39 - 1 376 05/06/07/08/09/15/16/17/18/19

## 6. INSTALLATION ADD-ONS (continued)

### 6.4 Additional terminal blocks (continued)

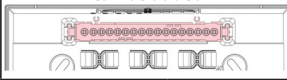
| Cat. Nos.                        | Size  | Terminal block capacity | Supplied equipped with terminal block on support |                              |                        | Accessories  |                      |  |                      |
|----------------------------------|-------|-------------------------|--|------------------------------|------------------------|--|----------------------|--|----------------------|
|                                  |       |                         |  |                              |                        | Terminal blocks which can be added   |                      | Unprotected terminal blocks which can be added on existing support |                      |
|                                  |       |                         | No.  | Type                         | No. of holes           |  | Max. no. to be added | Cat. Nos.  | Max. no. to be added |
| 1 351 22/32                      | 2x12M | 2                       | -<br>1   | -<br>Earth                   | -<br>16                | 1 348 03/13<br>-   | 1<br>-               | -<br>1 348 06  | -<br>2               |
| 1 353 42/52                      |       | 2                       | 1<br>-   | Neutral<br>-                 | 2x10<br>-              | -<br>1 348 03/13   | -<br>1               | 1 348 06<br>-  | 1<br>-               |
| 1 352 02/12<br>1 356 02/12       |       | 2                       | 1<br>-   | Earth +<br>Neutral<br>-      | 2x16<br>-              | -<br>1 348 03/13   | -<br>1               | 1 348 06<br>-  | 1<br>-               |
| 1 352 62/72                      |       | 2                       | 1<br>-   | Earth +<br>Neutral<br>-      | 2x18<br>-              | -<br>1 348 03/13   | -<br>1               | -<br>-   | -<br>-               |
| 1 354 22/32                      |       | 2                       | 1<br>1   | Neutral<br>Earth             | 2x10<br>18             | -<br>-   | -<br>-               | 1 348 06/07<br>1 348 06/07   | 3/1<br>3/1           |
| 1 351 23/33                      | 3x12M | 2                       | -<br>1   | -<br>Earth                   | -<br>24                | 1 348 03/13<br>-   | 1<br>-               | -<br>1 348 06/07   | -<br>2/1             |
| 1 353 43/53                      |       | 2                       | 1<br>-   | Neutral<br>-                 | 3x10<br>-              | -<br>1 348 03/13   | -<br>1               | 1 348 06<br>-  | 1<br>-               |
| 1 352 03/13<br>1 356 03/13       |       | 2                       | 1<br>1   | Neutral<br>Earth             | 24<br>24               | -<br>-   | -<br>-               | 1 348 06/07<br>1 348 06/07   | 2/1<br>2/1           |
| 1 354 23/33                      |       | 2                       | 1<br>1   | Neutral<br>Earth             | 2x10<br>28             | -<br>-   | -<br>-               | 1 348 06/07<br>1 348 06/07   | 3/1<br>2/1           |
| 1 351 24/34                      | 4x12M | 4                       | -<br>-<br>-<br>1                                 | -<br>-<br>-<br>Earth         | -<br>-<br>-<br>32      | 1 348 03/13<br>1 348 03<br>1 348 03<br>-   | 1<br>1<br>1<br>-     | -<br>-<br>-<br>1 348 06  | -<br>-<br>-<br>1     |
| 1 353 44/54                      |       | 4                       | 1<br>1<br>-<br>-                                 | Neutral<br>Neutral<br>-<br>- | 2x10<br>2x10<br>-<br>- | -<br>-<br>1 348 03/13<br>1 348 03  | -<br>-<br>1<br>1     | 1 348 06/07<br>1 348 06/07<br>-<br>-                               | 3/1<br>3/1<br>-<br>- |
| 1 352 04/14/64/74<br>1 356 04/14 |       | 4                       | 1<br>-<br>-<br>-                                 | Neutral<br>-<br>-<br>Earth   | 32<br>-<br>-<br>32     | -<br>1 348 03/13<br>1 348 03<br>-  | -<br>1<br>1<br>-     | 1 348 06<br>-<br>-<br>1 348 06                                     | 1<br>-<br>-<br>1     |
| 1 354 24/34                      |       | 4                       | 1<br>-<br>-<br>1                                 | Neutral<br>-<br>-<br>Earth   | 2x10<br>-<br>-<br>32   | -<br>1 348 03/13<br>1 348 03<br>-  | -<br>1<br>1<br>-     | 1 348 06/07<br>-<br>-<br>1 348 06                                  | 3/1<br>-<br>-<br>1   |
| 1 371 26/36                      |       | 1x18M                   | 2  | -<br>1                       | -<br>Earth             | -<br>13  | 1 348 05<br>-        | 1<br>-   | -<br>-               |
| 1 375 26/36                      | 2     |                         | -<br>1   | -<br>Earth                   | -<br>17                | 1 348 05<br>-  | 1<br>-               | -<br>-   | -<br>-               |
| 1 373 46/56                      | 2     |                         | 1<br>-   | Neutral<br>-                 | 13<br>-                | -<br>1 348 05  | -<br>1               | -<br>-   | -<br>-               |
| 1 372 06/16/66/76<br>1 374 26/36 | 2     |                         | 1<br>-   | Earth +<br>Neutral<br>-      | 13 + 13<br>-           | -<br>1 348 05  | -<br>1               | -<br>-   | -<br>-               |

# Practibox S surface-mounting cabinets with unprotected terminal blocks on a support

Cat. No(s): 1 341 24/28/34/38 - 1 342 04/08/14/18  
 1 343 48/58 - 1 346 04/08/14/18 - 1 351 21/22/23/24/31/32/33/34  
 1 352 01/02/03/04/11/12/13/14/61/62/63/64/71/72/73/74  
 1 353 41/42/43/44/51/52/53/54 - 1 354 21/22/23/24/31/32/33/34  
 1 356 01/02/03/04/11/12/13/14 - 1 371 25/26/27/28/29/35/36/37/38/39  
 1 372 05/06/07/08/09/15/16/17/18/19/65/66/67/68/69/75/76/77/78/79  
 1 373 46/47/48/49/56/57/58/59 - 1 374 25/26/27/28/29/35/36/37/38/39  
 1 375 26/27/28/29/36/37/38/39 - 1 376 05/06/07/08/09/15/16/17/18/19

## 6. INSTALLATION ADD-ONS (continued)

### 6.4 Additional terminal blocks (continued)

| Cat. Nos.                                       | Size  | Terminal block capacity | Supplied equipped with terminal block on support |                 |              | Accessories  |                      |  |                      |
|---|-------|-------------------------|--|-----------------|--------------|--|----------------------|--|----------------------|
|   |       |                         |  |                 |              | Terminal blocks which can be added   |                      | Unprotected terminal blocks which can be added on existing support |                      |
|   |       |                         | No.  | Type            | No. of holes |  | Max. no. to be added | Cat. Nos.  | Max. no. to be added |
| 1 373 47/57                                     | 2x18M | 2                       | 1  | Neutral         | 2x13         | -  | -                    |  |                      |
|   |       | -                       | -  | -               | -            | 1 348 05   | 1                    |  |                      |
| 1 371 27/37                                     |       | 2                       | 1  | Earth           | 22           | -  | -                    |  |                      |
|   |       | -                       | -  | -               | -            | 1 348 05   | 1                    |  |                      |
| 1 375 27/37                                     |       | 2                       | 1  | Earth           | 27           | -  | -                    |  |                      |
|   |       | -                       | -  | -               | -            | 1 348 05   | 1                    |  |                      |
| 1 372 07/17<br>1 376 07/17                      | 2x18M | 2                       | 1  | Earth + Neutral | 22 + 22      | -  | -                    |  |                      |
|   |       | -                       | -  | -               | -            | 1 348 05   | 1                    |  |                      |
| 1 374 27/37                                     |       | 2                       | 1  | Neutral         | 2x13         | -  | -                    |  |                      |
|   |       | -                       | -  | -               | -            | -  | -                    |  |                      |
| 1 372 67/77                                     |       | 2                       | 1  | Neutral         | 27           | -  | -                    |  |                      |
|   |       | -                       | -  | -               | -            | -  | -                    |  |                      |
| 1 371 28/38<br>1 375 28/38                      | 3x18M | 4                       | -  | -               | -            | 1 348 05/15  | 1                    |  |                      |
|   |       | -                       | -  | -               | -            | 1 348 05   | -                    |  |                      |
|   |       | -                       | -  | -               | -            | 1 348 05   | -                    |  |                      |
|   |       | 1                       | Earth  | 35              | -            | -  | -                    |  |                      |
| 1 372 08/18/68/78<br>1 376 08/18                |       | 4                       | 1  | Neutral         | 35           | -  | -                    |  |                      |
|   |       | -                       | -  | -               | -            | 1 348 05/15  | 1                    |  |                      |
|   | -     | -                       | -  | -               | 1 348 05     | 1  |                      |  |                      |
| 1 374 28/38                                     | 3x18M | 4                       | 1  | Neutral         | 2x13         | -  | -                    |  |                      |
|   |       | -                       | -  | -               | -            | 1 348 05/15  | 1                    |  |                      |
|   |       | -                       | -  | -               | -            | 1 348 05   | 1                    |  |                      |
|   |       | 1                       | Earth  | 35              | -            | -  | -                    |  |                      |
| 1 373 48/58                                     |       | 4                       | 1  | Neutral         | 2x13         | -  | -                    |  |                      |
|   |       | -                       | -  | -               | -            | 1 348 05/15  | 1                    |  |                      |
|   | -     | -                       | -  | -               | 1 348 05     | 1  |                      |  |                      |
| 1 371 29/39<br>1 375 29/39                      | 4x18M | 4                       | -  | -               | -            | 1 348 05/15  | 1                    |  |                      |
|   |       | -                       | -  | -               | -            | 1 348 05   | 1                    |  |                      |
|   |       | -                       | -  | -               | -            | 1 348 05   | 1                    |  |                      |
|   |       | 1                       | Earth  | 35              | -            | -  | -                    |  |                      |
| 1 373 49/59                                     |       | 4                       | 1  | Neutral         | 2x13         | -  | -                    |  |                      |
|   |       | -                       | -  | -               | -            | 1 348 05/15  | 1                    |  |                      |
|   | -     | -                       | -  | -               | 1 348 05     | 1  |                      |  |                      |
| 1 372 09/19/69/79<br>1 376 09/19                | 4x18M | 4                       | 1  | Neutral         | 35           | 1 348 05/15  | 2/1                  |  |                      |
|   |       | -                       | -  | -               | -            | -  | -                    |  |                      |
|   |       | 1                       | Neutral  | 2x13            | -            | -  | -                    |  |                      |
|   |       | -                       | -  | -               | -            | 1 348 05/15  | 1                    |  |                      |
| 1 374 29/39                                     |       | 4                       | -  | -               | -            | 1 348 05   | 1                    |  |                      |
|   |       | -                       | -  | -               | -            | -  | -                    |  |                      |
| 1 371 25/1 35                                   | 1x22M | 2                       | 1  | -               | -            | 1 348 16   | 1                    |  |                      |
|   |       | -                       | -  | -               | -            | -  | -                    |  |                      |
| 1 372 05/15/65/75<br>1 374 25/35<br>1 376 05/15 | 1x22M | 2                       | 1  | Earth + Neutral | 17 + 17      | -  | -                    |  |                      |
|   |       | -                       | -  | -               | -            | 1 348 16   | 1                    |  |                      |