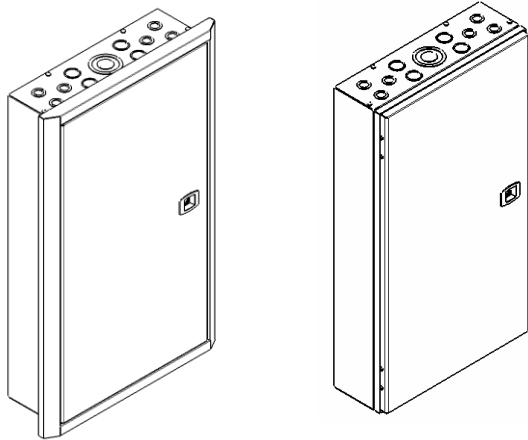


XL³ N 250

Tri-phase metal distribution boards

Cat.No(s):

605450/51/52/53/54/55/56/57/58/59/60/61/62/63/64, 605470/71/72/
 73/74/75/76/77/78/79/8081/82/83/84, 605490/91/92/93/94/96/97/
 98, 001665, 602795/98



CONTENTS	PAGES
1. Overall description	1
2. Product range	1
3. Dimensions	2
4. General features	3
5. Conformity and approvals	3
6. Equipment and accessories	3

1. OVERALL DESCRIPTION

XL³ N 250 is the solution of tri-phase metal distribution boards British Standard for DIN rail circuit breakers or molded case circuit breakers up to 250 A (from 12 to 54 poles for outgoing terminals).

A safe, reliable and integrated range of distribution boards suitable for industrial, commercial or residential environments assuring high performances and a great flexibility: they can be equipped with a wide range of accessories to meet most of market requirements with an extreme easiness of use and an aesthetical design.

XL³ N 250 distribution boards are ideal for most industrial, commercial or residential applications such as industrial plants, factories, office buildings, shopping malls, warehouses, hospitals, hotels, stations...

Flush mounting versions

Item codes	Number of poles	Number of 3P ways	Maximum rating :
6 054 50	12	4	125A
6 054 51	18	6	125A
6 054 52	24	8	125A
6 054 53	30	10	125A
6 054 54	36	12	125A
6 054 55	42	16	125A
6 054 56	48	18	125A
6 054 57	54	36	125A
6 054 58	18	6	250A
6 054 59	24	8	250A
6 054 60	30	10	250A
6 054 61	36	12	250A
6 054 62	42	16	250A
6 054 63	48	18	250A
6 054 64	54	36	250A

2. PRODUCT RANGE

Surface mounting versions

Item codes	Number of poles	Number of 3P ways	Maximum rating :
6 054 70	12	4	125A
6 054 71	18	6	125A
6 054 72	24	8	125A
6 054 73	30	10	125A
6 054 74	36	12	125A
6 054 75	42	16	125A
6 054 76	48	18	125A
6 054 77	54	36	125A
6 054 78	18	6	250A
6 054 79	24	8	250A
6 054 80	30	10	250A
6 054 81	36	12	250A
6 054 82	42	16	250A
6 054 83	48	18	250A
6 054 84	54	36	250A

XL³ N 250

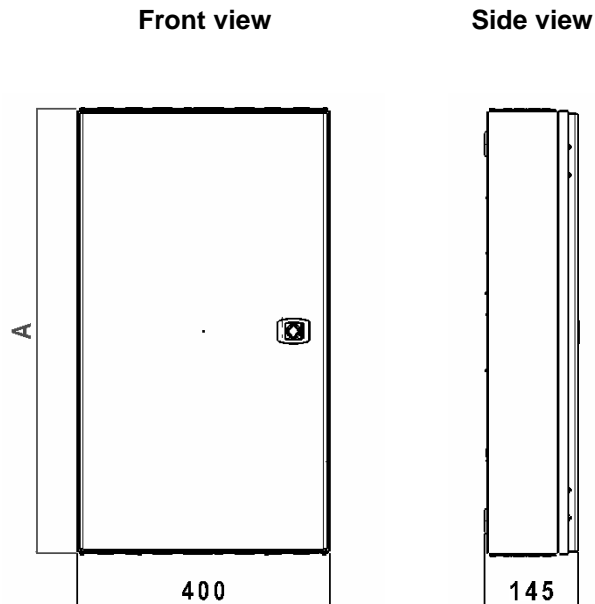
Tri-phase metal distribution boards

Cat.No(s):

605450/51/52/53/54/55/56/57/58/59/60/61/62/63/64, 605470/71/72/
73/74/75/76/77/78/79/80/81/82/83/84, 605490/91/92/93/94/96/97/
98, 001665, 602795/98

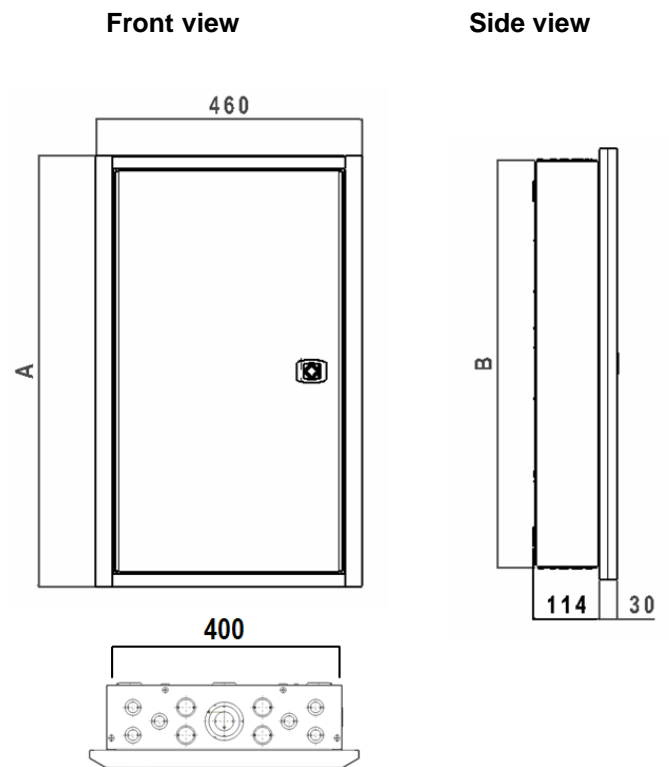
3. DIMENSIONS

Surface mounting versions



Item codes	Number of poles	A
6 054 70	12	594
6 054 71/78	18	648
6 054 72/79	24	702
6 054 73/80	30	756
6 054 74/81	36	810
6 054 75/82	42	864
6 054 76/83	48	918
6 054 77/84	54	972

Flush mounting versions



Item codes	Number of poles	A	B
6 054 50	12	633	594
6 054 51/58	18	687	648
6 054 52/59	24	741	702
6 054 53/60	30	795	756
6 054 54/61	36	849	810
6 054 55/62	42	903	864
6 054 56/63	48	957	918
6 054 57/64	54	1011	972

XL³ N 250

Tri-phase metal distribution boards

Cat.No(s):

605450/51/52/53/54/55/56/57/58/59/60/61/62/63/64, 605470/71/72/
73/74/75/76/77/78/79/80/81/82/83/84, 605490/91/92/93/94/96/97/
98, 001665, 602795/98

4 GENERAL FEATURES

4.1 Technical properties

- Degree of protection: IP30 - IK08 without door
IP41 - IK08 with door
- Color: Grey RAL7035
- Maximum voltage 480 V~
- I_{cw} 17 kA · 0,25 s
- I_{pk} 34 kA
- Temperatures: -5 °C ÷ +50 °C
- Full type tested 50 °C continuously

4.2 Row materials

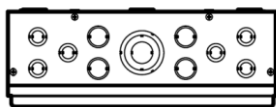
Frontal panel : zinc coated metal (1.2 mm thickness)

Door : zinc coated metal (1.2 mm thickness)

Chassis : zinc coated metal (1 mm thickness)

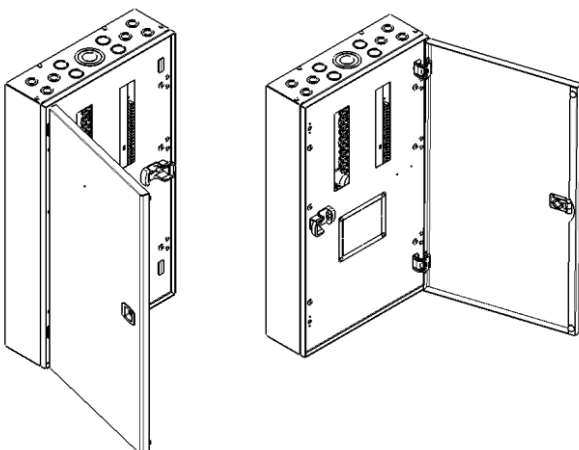
4.3 Knockouts

Circular knockouts (x 2)	
Number	Diameter
6	18 mm
10	27 mm
5	32 mm
1	52 mm
1	65 mm



4.4 Doors

Completely reversible doors



5. CONFORMITY AND APPROVALS

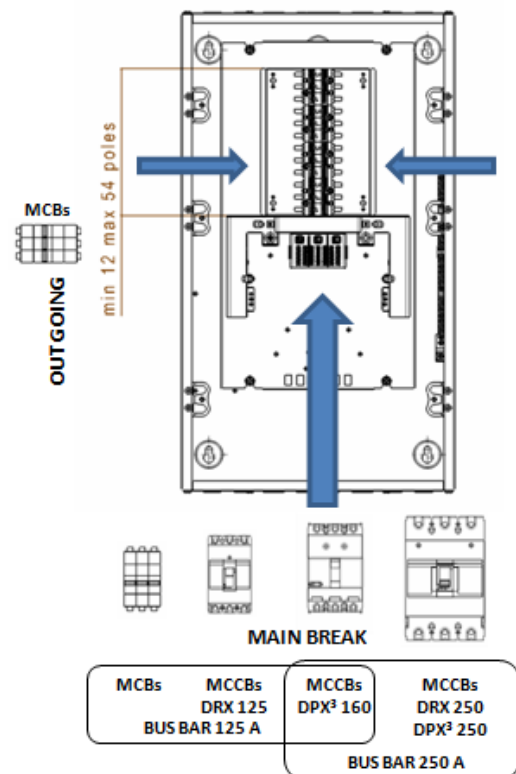
- Compliant to: IEC 61439-3
- Fire resistance in according to IEC 60695-2-1: 750 °C/s
- Full type tested: tested and certified by third part laboratory

6. EQUIPMENT AND ACCESSORIES

6.1 Equipments

Complete range of distribution boards: from 12 to 54 total poles (outgoing terminals) flush or surface mounting

- Main circuit breakers
 - ✓ up to 125 A with all MCBs series
 - ✓ up to 250 A with DRX or DPX³ series
- Outgoing terminals
 - ✓ up to 63 A with all MCBs series
- Complete range of accessories



Supplied with: surface or flush mounting box, reversible door with handle, faceplate, fully isolated tin copper busbar

XL³ N 250

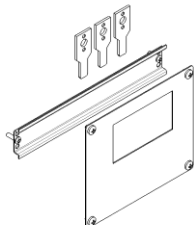
Tri-phase metal distribution boards

Cat.No(s):

605450/51/52/53/54/55/56/57/58/59/60/61/62/63/64, 605470/71/72/
73/74/75/76/77/78/79/8081/82/83/84, 605490/91/92/93/94/96/97/
98, 001665, 602795/98

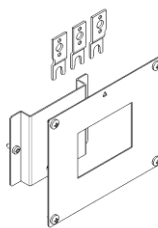
6.2 Accessories

Kit for fixing modular switches MCBs: item 605490



Kit for fixing breakers DRX 125: item 605491 (for XL³ N 250 with 125 A busbar)

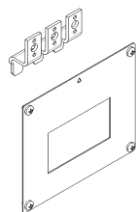
Kit for fixing breakers DRX 250: item 605492 (for XL³ N 250 with 250 A busbar)



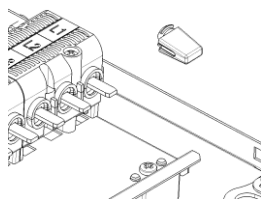
Kit for fixing breakers DPX³ 160: item 605496 (for XL³ N 250 with 125 A busbar)

Kit for fixing breakers DPX³ 160: item 605498 (for XL³ N 250 with 250 A busbar)

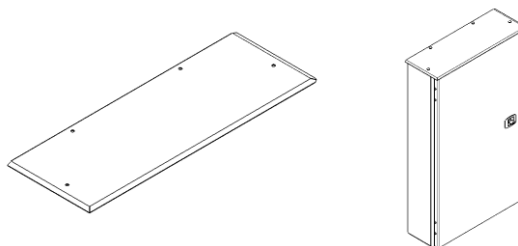
Kit for fixing breakers DPX³ 250: item 605497 (for XL³ N 250 with 250 A busbar)



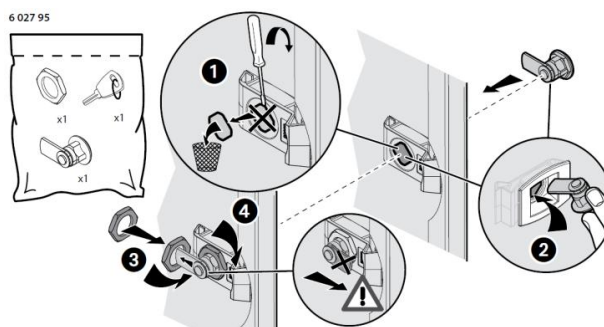
Insulation caps: item 605494



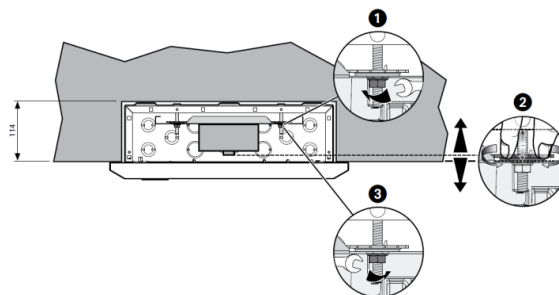
Kit for protection IP41: item 602798



Key lock: item 602795



Joining kit



Fixing supports for terminal blocks: consisting of two insulated fixing supports for terminal blocks for earth connections; item 605493

Blanking plate (RAL7035) separable into modules or ½ modules for a total of 18 modules; item 001665

For technical documentation, test reports, commercial information or any other needs please refer to the local LEGRAND office.