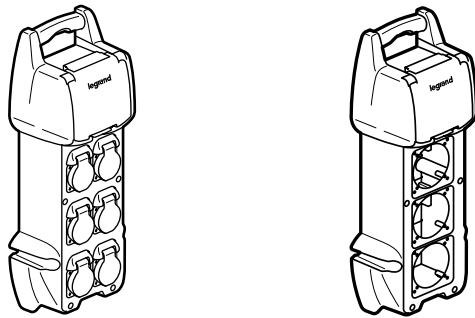


P17 worksite units Individual units and standard versions

Catalogue number(s): 589 40/41/42/43/44/45/XX



CONTENTS

- 1. General features 1
- 2. Range 1
- 3. Standards 2
- 4. Technical features 2
- 5. Protection 2
- 6. Dimensions 2
- 7. Accessories 2
- 8. Wiring diagrams 3

1. GENERAL FEATURES

Individual units are intended for all trades in the building industry to power portable electrical tools. They can be used in industry, laboratories, public services or by private individuals.

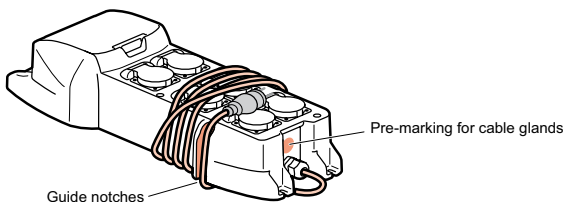
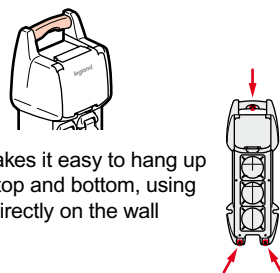
The protection of circuits and property and also the safety of people for equipped units, catalogue numbers 589 40/41/44/45, are provided by an RCBO which performs the emergency breaking function (see OPPBTP (French professional organisation for accident prevention in building and civil engineering) safety sheet G1 F03 02, § 4.3.1).

1.1 Main features

- Materials: ABS for the housing, polycarbonate for the window
- IK of the housing: 10
- IP: IP 44 (units equipped with sockets and cable) IP 21 (service side)
- Colours: RAL 7016 (anthracite grey) and RAL 7035 (light grey)
- Closed using 6 stainless steel screws
- 2.5 mm² internal connection of sockets for catalogue numbers 589 40/41/42/44/45
- Possibility of adding four 4 or 8-hole distribution terminal blocks (for fixing on universal support)

1.2 Detailed functions

- Handle integral with the housing
- The central notch on the handle makes it easy to hang up
- External fixing on vertical walls: at top and bottom, using appropriate screws and washers, directly on the wall
- Window:
 - Transparent for immediate viewing of the protection devices
 - Easy to replace by removing the faceplate
 - Spare part available on request
- The cable can be wound round the unit using the guide notches on each side
- Pre-marking for additional cable glands (max. M20) on the bottom of the unit, except for Cat. No. 589 45



2. RANGE

Cat. No. 589 40

Electrical features: 16 A • 250 V~ • 50/60 Hz • 3.68 kW

Composition:

- 6 x 16 A domestic pin sockets (Cat. No. 576 67)
- 1 x 30 mA • 16 A 2-pole RCBO (Cat. No. 079 19 or Cat. No. 4111 58)
- 1 x IP 68 M20 cable gland
- 3 m of H07RNF 3G2.5 cable equipped with a domestic pin moulded plug

Cat. No. 589 41

Electrical features: 16A • 250 V~ • 50/60 Hz • 3.68 kW

Composition:

- 6 x 16 A domestic pin sockets (Cat. No. 576 67)
- 1 x 30 mA • 16 A 2-pole RCBO (Cat. No. 079 19 or Cat. No. 4111 58)
- Supplied without cable
- To be equipped with a 3G2.5 cable. Protective conductor connected on terminal block and main power supply connected on terminals of the RCBO

Cat. No. 589 42

Electrical features: 16A • 250 V~ • 50/60 Hz • 3.68 kW

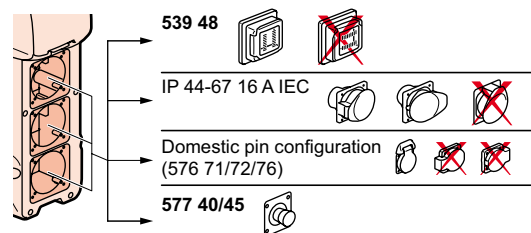
Composition:

- 5 x 16 A domestic pin sockets (Cat. No. 576 67)
- 1 x 30 mA • 16 A 2-pole RCBO (Cat. No. 079 19 or Cat. No. 4111 58)
- 1 emergency break button on shunt trip coil
- 1 x IP68 M20 cable gland
- 3 metres of H07RNF 3G2.5 cable equipped with a domestic pin moulded plug

Cat. No. 589 43

IP 66 max. 16 A unit:

- Up to 6 Lexic modules
- Equipped with a faceplate with 3 positions which can take:
 - A plate with stay-put mushroom head
 - Domestic pin sockets: Cat. Nos 576 71/72/76 - 539 48
 - 16 A IEC sockets with 70 x 70 standard fixing centres. Does not take IEC sockets > 16 A



P17 portable combined units

Individual units

Catalogue number(s): 589 40/41/42/43/44/45/XX

2. RANGE (continued)

Cat. No. 589 44

Electrical features: 16 A • 250 V~ • 50/60 Hz • 3.68 kW

Composition:

- 6 x 16 A 2P+E sockets (Cat. No. 576 75)
- 1 x 30 mA • 16 A 2-pole RCBO (Cat. No. 079 19 or Cat. No. 4111 58)
- 1 x IP 68 M20 cable gland
- 3 m of H07RNF 3G2.5 cable equipped with a domestic pin moulded plug

Cat. No. 589 45

Electrical features: 16 A • 400 V~ • 3P+N • 50/60 Hz • 11 kVA

Composition:

- 2 x 16 A 2P+E sockets with transparent flap (Cat. No. 539 48 + 772 13)
- 1 x 16 A 3P+E 380/415 V~ IEC socket (Cat. No. 576 57)
- 1 x 30 mA • 16 A 4-pole RCBO (Cat. No. 079 64 or 4111 86)
- 1 x IP 68 M25 cable gland

To be equipped with a 5G2.5 cable. Protective conductor connected on terminal block and main power supply connected on terminals of the RCBO

3. STANDARDS

- Conform to standard IEC 60 439-4/NF EN 60 439-4: low voltage switchgear and controlgear assemblies. Part 4: Particular requirements for assemblies for construction sites
- Conform to the decree of 14 November 1988 on the protection of workers
- Conform to the recommendations of the OPPBTP (French professional organisation for accident prevention in building and civil engineering)
- IEC/NF EN 62 262: IK
- IEC/NF EN 60 529: IP

4. TECHNICAL FEATURES

4.1 Glow wire resistance:

650°C: 30 s for the housing
850°C: 30 s for the live parts

4.2 Usage temperatures

- 25° to + 40°C

4.3 UV resistance

168 h - 550 W/m²

4.4 Short-circuit resistance

Isc = 10 kA

5. PROTECTION

P17 equipped or self-assembly units can incorporate various types of modular protection devices:

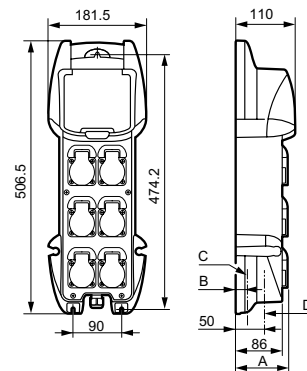
- Lexic MCB
- Lexic RCBO
- Lexic RCCB

NB: It is important to check, according to the required use, that protection against indirect contact (RCDs) and against overloads and short-circuits (Lexic circuit breakers) are both provided.

Caution: An RCCB does not provide protection against overloads and short-circuits.

Short-circuit resistance: for the short-circuit resistance of the MCBs, RCBOs and RCCBs, refer to the performance pages for these products in the current Legrand catalogue.

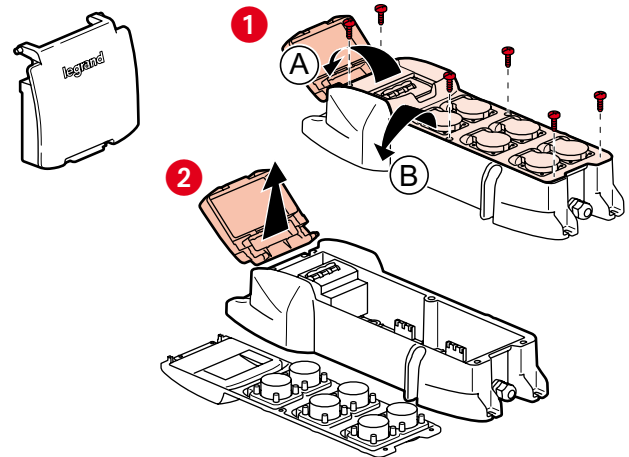
6. DIMENSIONS



Cat. Nos.	A (mm)	B (mm)	C (mm)	D (mm)
589 40	96	20	M20	Max M20
589 41	96	20	M20	Max M20
589 42	125	20	M20	Max M20
589 43	-	20	M20	Max M20
589 44	96	20	M20	Max M20
589 45	125	22.5	M25	-

7. ACCESSORIES

Replaceable window, available on request



P17 portable combined units

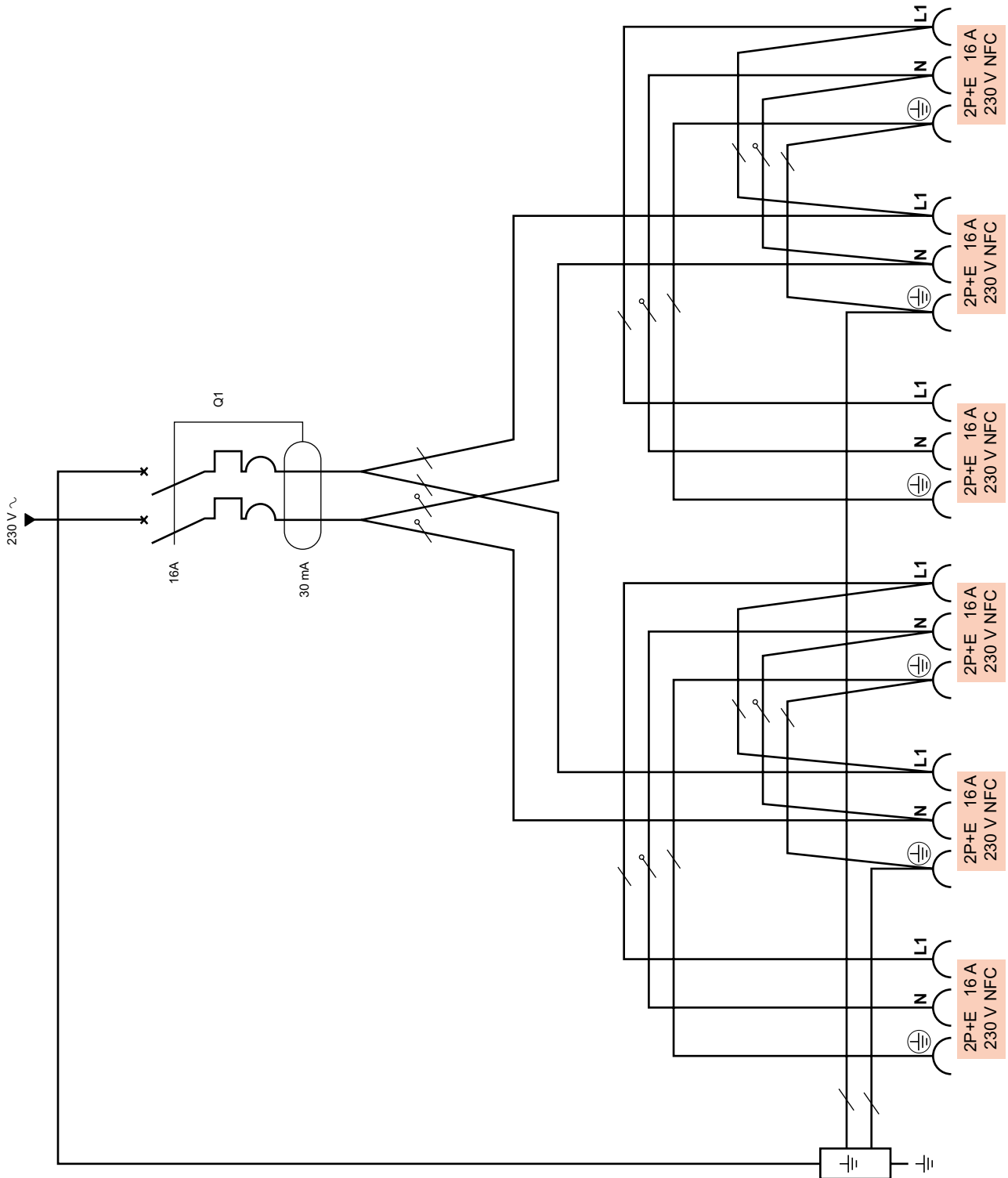
Individual units

Catalogue number(s): 589 40/41/42/43/44/45/XX

8. WIRING DIAGRAMS

58940 and 58944 • 6 domestic pin sockets

- 589 40: French/Belgian standard
- 589 44: German standard (Schuko)



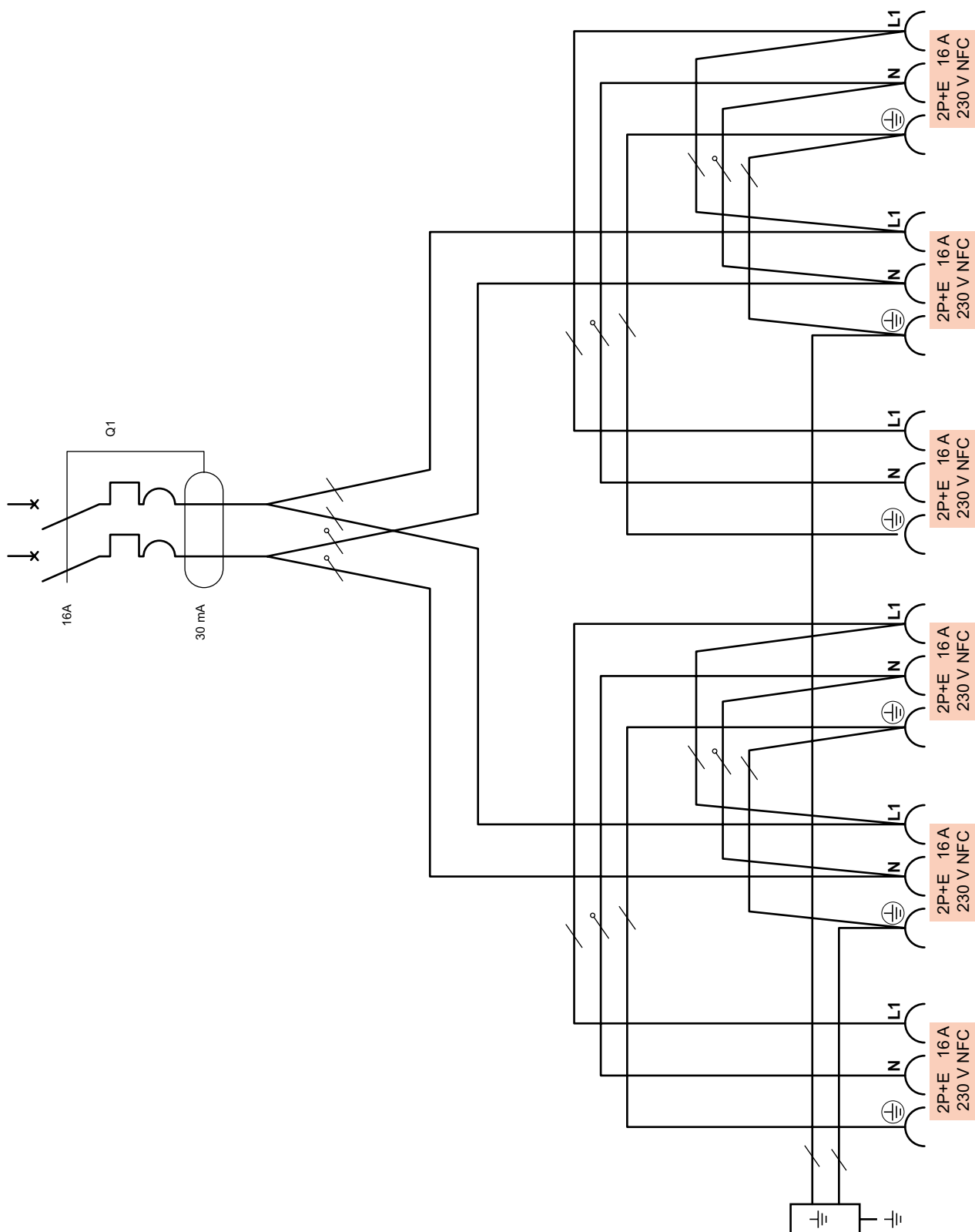
P17 portable combined units

Individual units

Catalogue number(s): 589 40/41/42/43/44/45/XX

8. WIRING DIAGRAMS (continued)

58941 • 6 domestic pin sockets (French/Belgian standard)



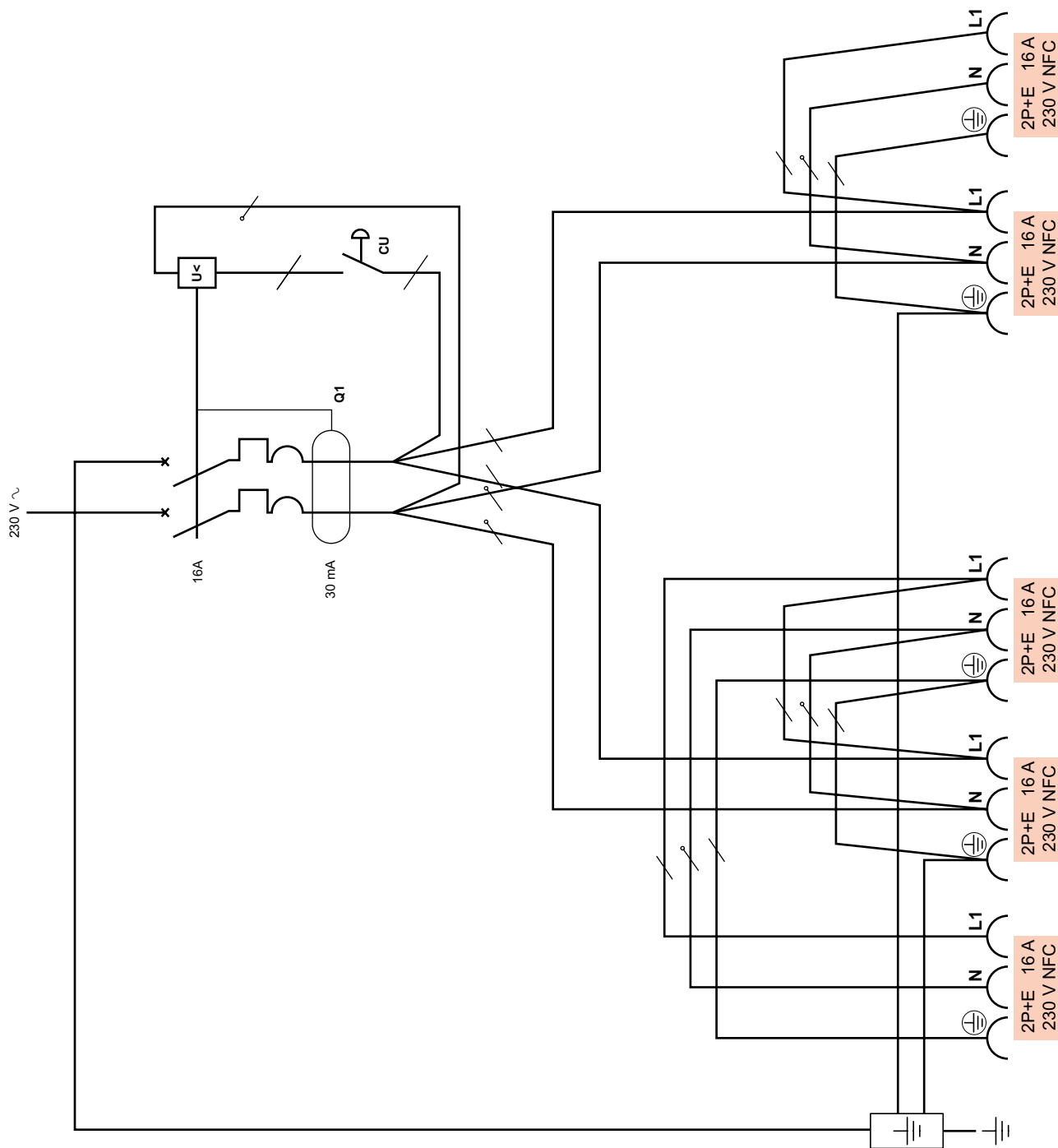
P17 portable combined units

Individual units

Catalogue number(s): 589 40/41/42/43/44/45/XX

8. WIRING DIAGRAMS (continued)

58942 • 5 domestic pin sockets (French/Belgian standard) and emergency break



P17 portable combined units

Individual units

Catalogue number(s): 589 40/41/42/43/44/45/XX

8. WIRING DIAGRAMS (continued)

58945 • 2 domestic pin sockets (German standard - Schuko) and 1 x 3P+E 16 A - 400 V socket

