

Isolator switches

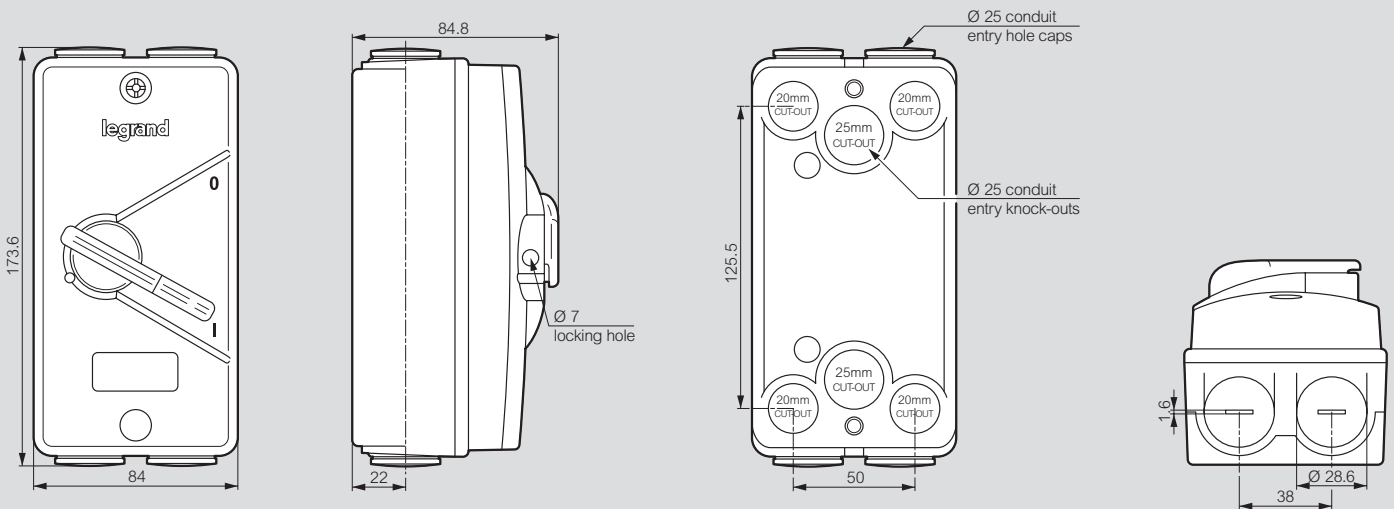
technical characteristics and dimensions

Technical characteristics

Type	2 Pole				3 Pole				3 Pole + Switched Neutral				
Cat.No	7 353 00	7 353 01	7 353 02	7 353 03	7 353 10	7 353 11	7 353 12	7 353 13	7 353 20	7 353 21	7 353 22	7 353 23	
Rated Voltage / Frequency	250 V~ 50/60 Hz				440 V~ 50/60 Hz				440 V~ 50/60 Hz				
Utilization category	AC22 A				AC22 A				AC22 A				
Rated Operational current (A)	20	32	40	63	20	32	40	63	20	32	40	63	
Rated insulation voltage (a.c.) (V)	250	250	250	250	440	440	440	440	440	440	440	440	
Rated impulse withstand voltage (V)	2500	2500	2500	2500	2500	2500	2500	2500	2500	2500	2500	2500	
Rated short-time withstand current for 1 sec (A)	240	384	480	756	240	384	480	756	240	384	480	756	
Rated short-circuit making in breaking capacities for 50ms (A)	240	384	480	756	240	384	480	756	240	384	480	756	
Live terminal screws torque value (Nm)	2	2.5	2.5	2.5	2	2.5	2.5	2.5	2	2.5	2.5	2.5	
Neutral terminal screws torque value (Nm)	2	2	2	2.5	2	2	2	2.5	2	2.5	2.5	2.5	
Earth terminal screws torque value (Nm)	2	2	2	2	2	2	2	2	2	2	2	2	
Plastic nylon screws Max. Torque value (Nm)	1.8	1.8	1.8	1.8	1.8	1.8	1.8	1.8	1.8	1.8	1.8	1.8	
Conductor Rigid-Stranded	Min. size (mm ²)	2.5	6	6	10	2.5	6	6	10	2.5	6	6	10
	& number	1	1	1	1	1	1	1	1	1	1	1	1
	Max. size (mm ²)	4	10	10	16	4	10	10	16	4	10	10	16
Rated duty	Uninterrupted duty												

Note : Use padlock with shackle size Ø 6 mm when required to lock the unit in either 'OFF' or 'ON' position

Dimensions



Isolating switches

Technical characteristics

Conform to IEC EN 60947-3
 UL - cUL (USA - Canada) agreements. Class II box installed (if correct use of isolating caps supplied with box)
 IP 40 and IP 65 - IK 07
 Operating temperature: - 30 °C to + 70 °C
 Box self-extinguishing: 650 °C/ 960 °C (acc. to IEC 695-2-1)
 Degree of protection: IP 2X (at back of panel)
 IP 65 for boxes
 IP 65 for complete devices

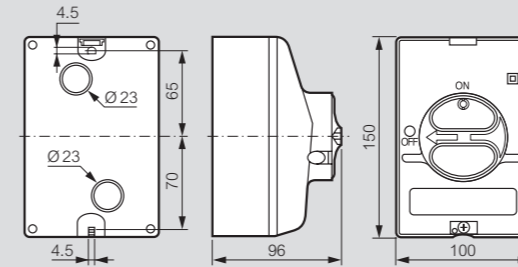
Tropical atmosphere acc. to:
 IEC 682-3 constant humid heat
 IEC 682-30 cyclical humid heat
 Padlockable devices
 General case: up to 3 padlocks Ø4 to 8 mm
 Device with 1 auxiliary contact OF: up to 3 padlocks Ø6 to 8 mm

		20 A	25 A	32 A	50 A	63 A	80 A	100 A
Rated insulation voltage U_i	V	690	690	690	690	690	690	690
Conventional free air thermal current (I _{th})								
Continuous rated current I _u	A	20	25	32	50	63	80	100
Conventional enclosed thermal current I _{the}	A	16	20	25	40	50	63	80
Rated impulse withstand voltage $U_{imp}^{(1)}$ (kV)		4	6	6	6	6	6	6
Rated operating current (A)								
AC - 21 A / 22 A								
Conforming to IEC 60947-3	A	16	25	32	50	63	80	100
Rated operating power (kW)								
AC - 23 A								
3 x 230 V	kW	4	5.5	5.5	15	15	18.5	22
	A	14.5	20	20	50	50	63	72
3 x 400 V	kW	7.5	7.5	11	18.5	22	30	37
	A	15	15	21	35	42	57	69
3 x 500 V	kW	7.5	7.5	11	22	30	37	45
	A	12	12	17	33	45	55	65
3 x 690 V	kW	7.5	7.5	11	18.5	22	22	30
	A	9	9	12	20	24	24	33
AC - 3								
3 x 230 V	kW	3	4	4	7.5	11	15	18.5
	A	11.5	14.5	14.5	26	38	51	63
3 x 400 V	kW	4	5.5	7.5	15	18.5	22	30
	A	8	11	15	28	35	42	57
3 x 500 V	kW	5.5	5.5	7.5	15	22	30	37
	A	9	9	12	23	33	45	55
3 x 690 V	kW	5.5	5.5	7.5	15	18.5	18.5	22
	A	6	6.5	9	16.5	20	20	24
Closing/breaking characteristics:								
Rated closing capacity	A _{eff} /400 V	710	710	710	1270	1270	1970	1970
Rated breaking capacity	A _{eff} /400 V	330	330	330	800	800	800	800
Short circuit characteristics:								
Rated short term withstand current I _{sw}	A _{eff} /400V/1s	300	350	430	500	760	1100	1500
Rated short circuit make capacity I _{cm}	kA peak/400 V	1	1	1	1.8	1.8	2.8	2.8
Short circuit current	kA eff/400 V	6	10	10	10	10	10	10
With fuse gI/gG	A	16	25	32	50	63	80	100
Mechanical life AC - 20	million	1	0.1	0.1	0.04	0.04	0.04	0.04
Connection:								
Flexible + connector (max./min)	mm ²	6/0.5	6/0.75	6/0.75	16/1.5	16/1.5	35/2.5	35/2.5
Rigid	mm ²	10	10	10	25	25	50	50
Auxiliary contact electrical characteristics:								
Rated insulation voltage (U _i)	V	400	400	400	400	400	400	400
Conventional free air thermal current (I _{th})								
Continuous rated current (I _u)	A	20	10	10	10	10	10	10
Rated operating current (I _e) AC - 15	230 V A	6	6	6	6	6	6	6
	400 V A	4	4	4	4	4	4	4
Protection against short circuit by fuse gG	A	16	10	10	10	10	10	10
Connection	flexible wire mm ² max	2 x 2.5	2 x 2.5	2 x 2.5	2 x 2.5	2 x 2.5	2 x 2.5	2 x 2.5

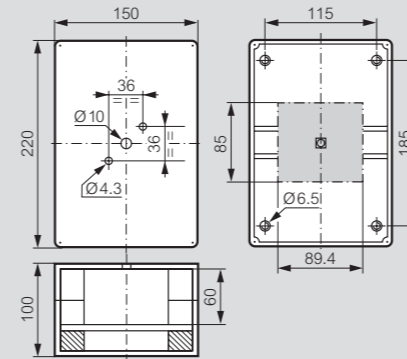
Dimensions

Proximity switching

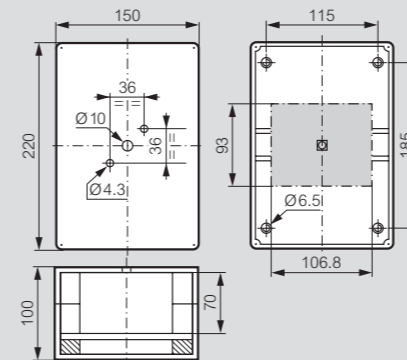
Boxes 2 x 2 knock-out entries: PG 16 or ISO 25
 Cat.Nos 0 221 71/72/73/79/81/82/83/88/89



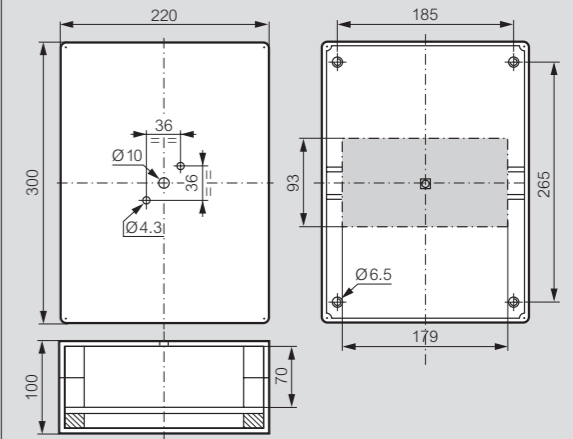
Boxes 2 x 2 knock-out entries: PG 21
 Cat.Nos 0 221 74/75/84/85



Boxes 2 x 2 knock-out entries: PG 29
 Cat.Nos 0 221 76/77



Boxes 2 x 4 knock-out entries: 2 x PG 21 and 2 x PG 29
 Cat.Nos 0 221 86/87



Auxiliary contact

Cat.No 0 227 00

