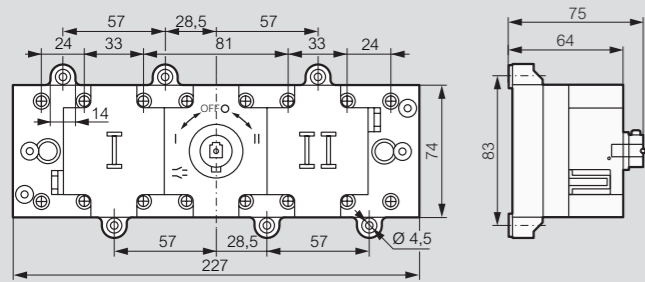


DCX-M changeover switches

dimensions

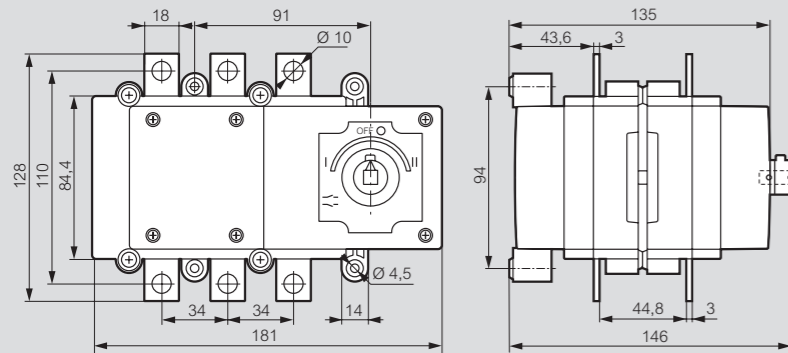
Size 1

3P Cat.Nos 4 311 00/01 and 3P+N Cat.Nos 4 311 20/21

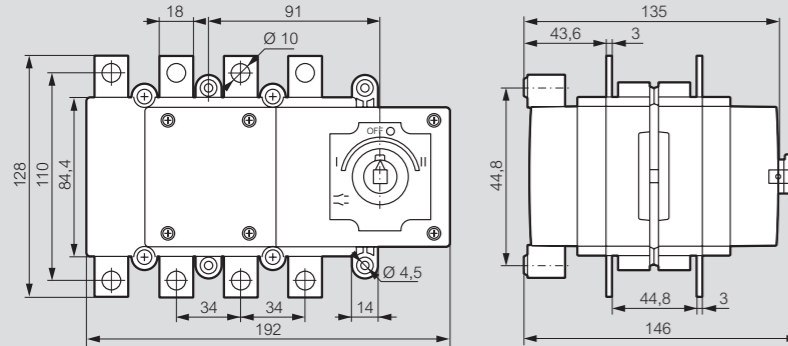


Size 2

3P Cat.Nos 4 311 02/03/04

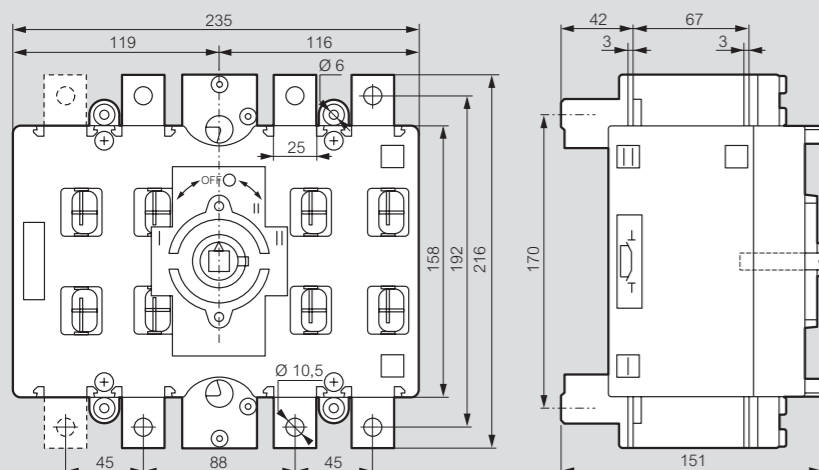


3P+N Cat.Nos 4 311 22/23/24



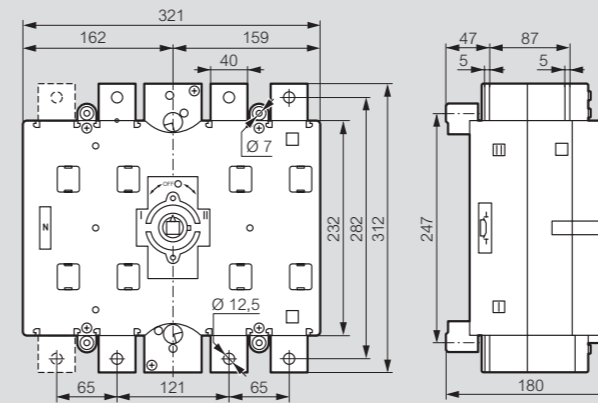
Size 3

3P Cat.Nos 4 311 05/06/07/08 and 3P+N Cat.Nos 4 311 25/26/27/28



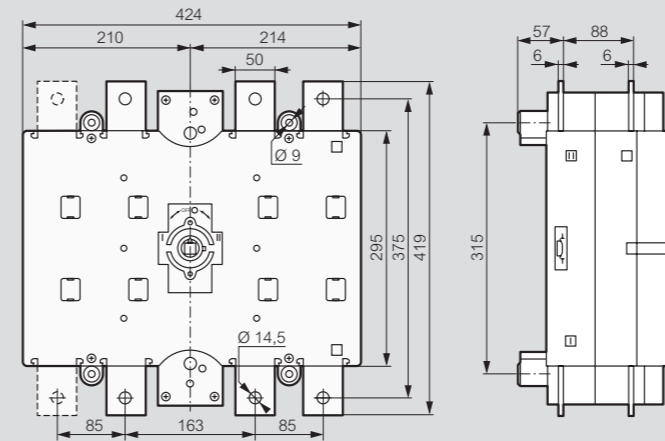
Size 4

3P Cat.Nos 4 311 09/10 and 3P+N Cat.Nos 4 311 29/30



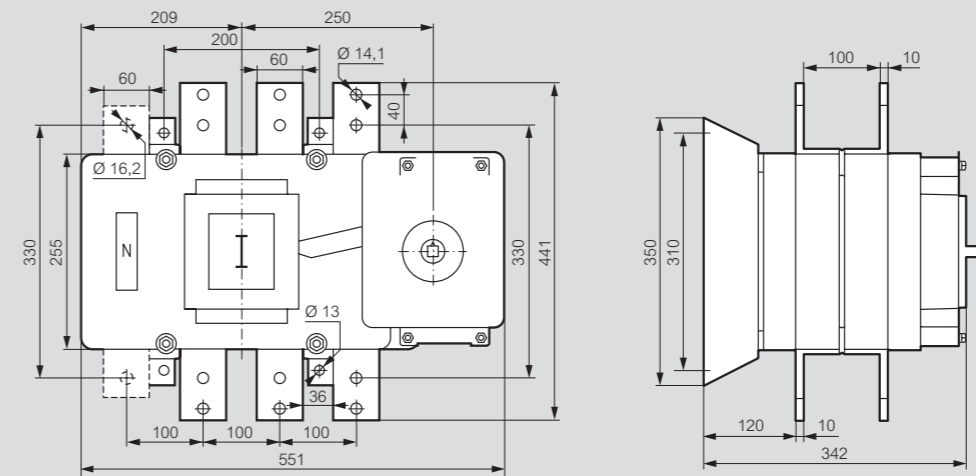
Size 5

3P Cat.Nos 4 311 11/12 and 3P+N Cat.Nos 4 311 31/32



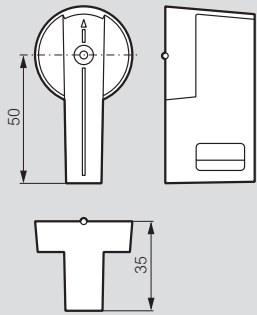
Size 6

3P Cat.No 4 311 13 and 3P+N Cat.No 4 311 33

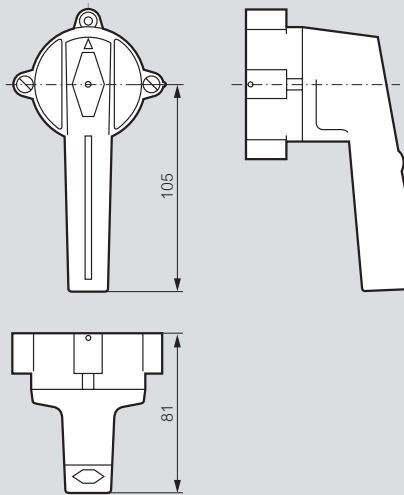


DCX-M direct handles**dimensions****For DCX-M 40 to 160 A**

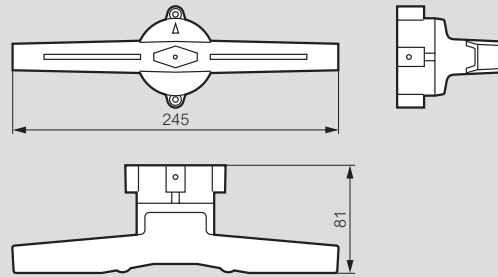
Cat. No 4 311 45

**For DCX-M 200 to 400 A**

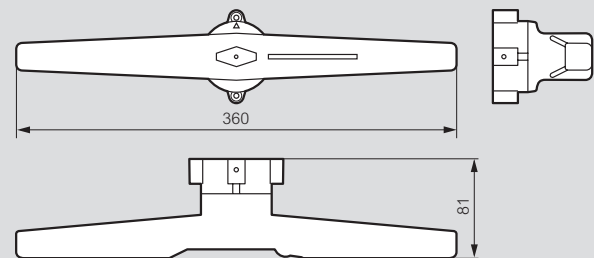
Cat. No 4 311 46

**For DCX-M 630 and 800 A**

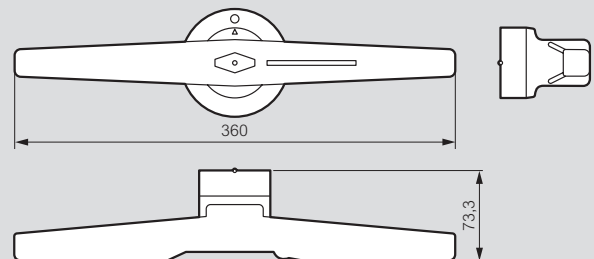
Cat. No 4 311 47

**For DCX-M 1000 and 1250 A**

Cat. No 4 311 48

**For DCX-M 1600 A**

Cat. No 4 311 49

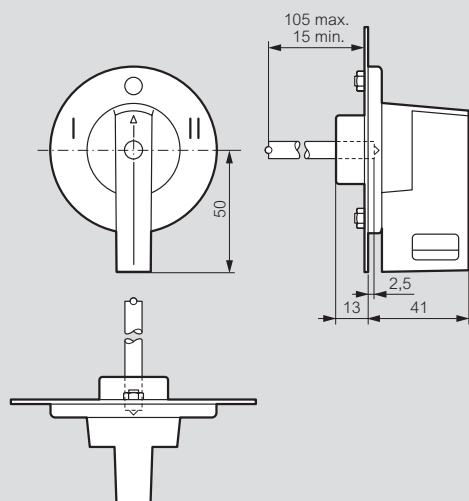


DCX-M external handles

dimensions

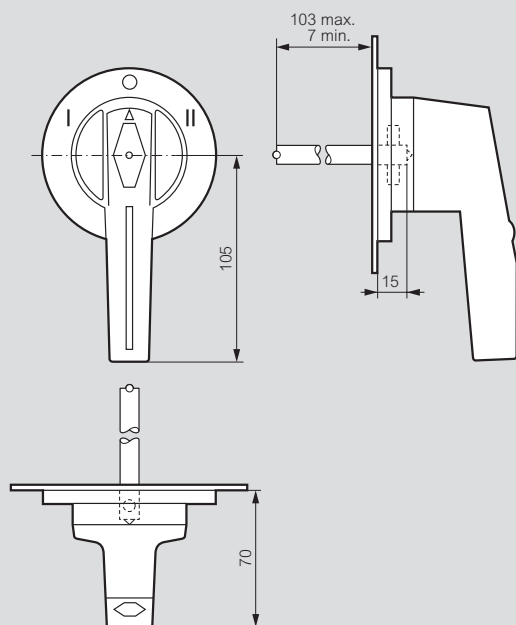
For DCX-M 40 to 160 A

Cat. No 4 311 40



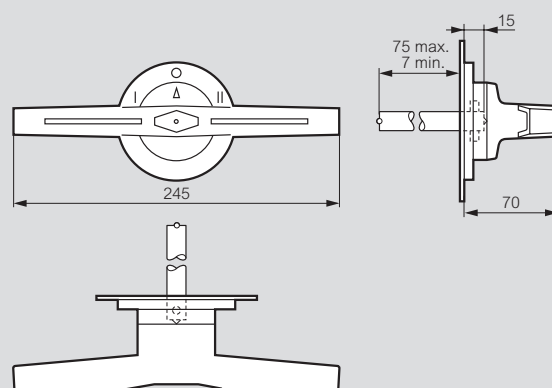
For DCX-M 200 to 400 A

Cat. No 4 311 41



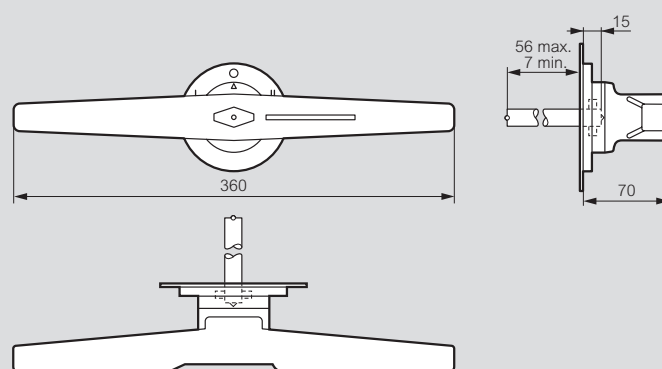
For DCX-M 630 and 800 A

Cat. No 4 311 42



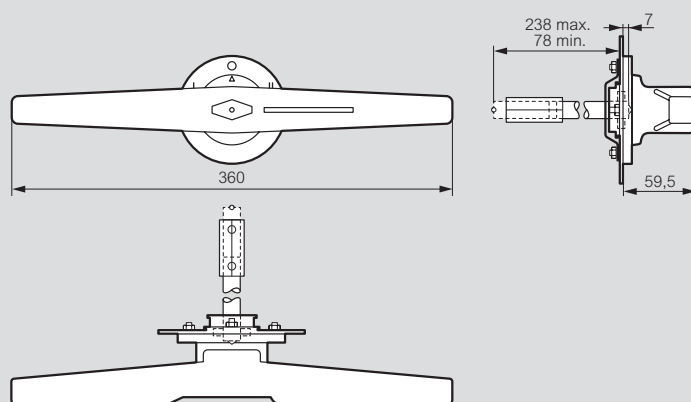
For DCX-M 1000 and 1250 A

Cat. No 4 311 43



For DCX-M 1600 A

Cat. No 4 311 44

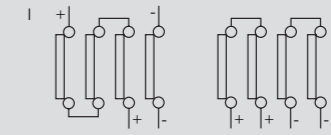


DCX-M technical characteristics

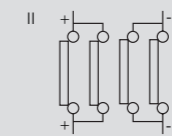
Technical characteristics

According to IEC / EN 60947-3			40 A	63 A	100 A	125 A	160 A	200 A	250 A	315 A	400 A	630 A	800 A	1000 A	1250 A	1600 A		
Rated thermal current Ith (A)	Ambient temperature	40 °C	50	63	100	125	160	200	250	315	400	630	800	1000	1250	1600		
		50 °C	50	63	100	125	160	-	-	-	-	-	-	-	-	-	1600	
		65 °C	35	44	90	90	110	-	-	-	-	-	-	-	-	-	1600	
Rated thermal current in enclosure Ithe (A)			-	-	-	-	-	200	250	315	400	630	800	1000	1250	-		
Rated insulation voltage Ui (V)			800	800	1000	1000	1000	1000	1000	1000	1000	1000	1000	1000	1000	1000	1000	
Rated dielectric strength (V)			50 Hz 1 min.			3500	3500	4000	4000	6000	6000	8000	8000	8000	8000	10000		
Rated impulse withstand voltage Uimp (kV)			8	8	8	8	8	8	8	8	8	12	12	12	12	12		
AC rated operational current ⁽¹⁾ at 50/60 Hz Ie (A)	400 V	AC21A	50	63	100	125	160	200	250	315	400	630	800	1000	1250	1600		
		AC22A	50	63	100	125	160	200	250	315 ⁽⁷⁾	400 ⁽⁷⁾	630	800 ⁽⁷⁾	1000	1250 ⁽⁷⁾	1600		
		AC23A	50	63	100	125	160	160	180	200	250	500	630	1000	1250	1000		
	500 V	AC21A	50	63	100	125	160	200	250	315	400	630	800	1000	1250	1600		
		AC22A	50	63	100	125	160	200	250	315	400 ⁽⁷⁾	630	800 ⁽⁷⁾	1000	1250 ⁽⁷⁾	1250		
		AC23A	40	50	80	100	125	125	150	160	200	315	400	800	1000	900		
	690 V	AC20A	50	63	100	125	160	-	-	-	-	-	-	-	-	1600		
		AC21A	50	63	100	125	160	200	250	315	400	630	800	1000	1250	1600		
		AC22A	40	50	100	100	125	160	200	250	315 ⁽⁷⁾	500	630 ⁽⁷⁾	800	1000 ⁽⁷⁾	1000		
	800 V	AC23A	25	32	60	80	80	100	100	125	160	250	315	630	800	630		
		AC20A	-	-	100	125	160	200	250	315	400	630	800	1000	1250	1600		
	1000 V	AC20A	-	-	100	125	160	-	-	-	-	630	800	1000	1250	1600		
	DC rated operational current ⁽²⁾ Ie (A)	48 V	DC23A (II)	80	100	200	200	200	-	-	-	-	-	-	-	-	2000	
			DC21A (II)	63	63	160	160	160	-	-	-	-	-	-	-	-	1600	
		110 V	DC23A (I)	40	63	100	125	160	-	-	-	-	-	-	-	-	1600	
DC21A (I)			40	63	100	125	160	-	-	-	-	-	-	-	-	1600		
230 V		DC23A (I)	40	63	100	125	125	-	-	-	-	-	-	-	-	1000		
		DC21A (I)	20	25	50	63	63	-	-	-	-	-	-	-	-	1600		
400 V		DC23A (I)	-	-	-	-	-	-	-	-	-	-	-	-	-	800		
		DC20A (II)	80	125	200	250	250	-	-	-	-	-	-	-	-	2500		
500 V		DC23A (I)	-	-	-	-	-	-	-	-	-	-	-	-	-	800		
	AC23A	15.9	20	31.5	39.8	50.9	-	-	-	-	-	-	-	-	318.6			
AC rated operational power ⁽³⁾ Pe (kW)	3 x 400 V	AC23A	27.7	34.9	54.7	69.2	88.6	80	90	100	125	250	315	501	626	554.2		
	3 x 500 V	AC23A	27.7	34.6	61.6	69.2	88.6	78	94	100	125	197	250	501	626	623.5		
	3 x 690 V	AC23A	23.9	30.5	56.6	76.4	76.4	69	86	108	138	216	272	544	691	602.3		
	400 V	AC23	22.5	28.3	45	56.2	72	83	104	131	166	262	333	416	520	450.3		
Rated breaking capacity (A)			400 V	AC23	400	504	800	1000	1280	1280	1440	1600	2000	4000	4000	8000	10000	8000
Rated making capacity (A)			400 V	AC23	500	630	1000	1250	1600	1600	1800	2000	2500	5000	5000	10000	12500	10000

Series connection of 4P switches up to up to 160 A (DC)



Parallel connection of 4P switches up to up to 160 A (DC)



Short-circuit behaviour

			63 A	63 A	100 A	125 A	160 A	200 A	250 A	315 A	400 A	630 A	800 A	1000 A	1250 A	1600 A
Short - circuit making capacity ⁽⁴⁾ - peak value Icm (kA)			5	5	13	13	13	12	12	12	12	20	20	32	32	75
Short - time withstand current - 1 sec Icw (kA ms)			3	3	7	7	7	8	8	8	8	13	13	25	25	50
Conditional short - circuit current rms value ⁽⁵⁾ (kA ms)			100	100	100	100	100	-	-	-	-	-	-	-	-	-
Maximum cut - off current (peak value)			10	10	17	17	20	-	-	-	-	-	-	-	-	-
Maximum power dissipation I ² t (A ² /s x 10 ³)			54.7	54.7	55	55	198	-	-	-	-	-	-	-	-	-
Minimum number of mechanical operations ⁽⁶⁾ (Cycles)			30000	30000	30000	30000	30000	10000	10000	10000	10000	10000	10000	10000	10000	10000
Minimum number of electrical operations ⁽⁶⁾ (Cycles)	400 V	AC23	1500	1500	1000	1000	1000	-	-	-	-	-	-	-	-	500
		AC22A	-	-	-	-	-	1000	1000	1000	200 ⁽⁷⁾	1000	100 ⁽⁷⁾	500	100 ⁽⁷⁾	-
Maximum weight (kg)		3 P	0.8	0.8	1.8	1.8	1.8	4.8	4.8	5	5	11.5	11.9	22.5	24.3	42.9
		4 P	0.8	0.8	2	2	2	5.3	5.3	5.5	5.5	12.6	13.2	25	27.3	47.3

Connecting capacity

			40 A	63 A	100 A	125 A	160 A	200 A	250 A	315 A	400 A	630 A	800 A	1000 A	1250 A	1600 A	
Rigid cable	Cu	mm ²	25	25	95	95	95	240	240	240	240	2 x 240	2 x 240	-	-	-	
	Thickness / Wid	mm	-	-	5 / 25	5 / 25	5 / 25	2 x 5 / 30	2 x 5 / 30	2 x 5 / 30	2 x 5 / 30	2 x 6 / 45	2 x 6 / 45	2 x 10 / 60	2 x 10 / 60	2 x 7 / 80	
Tightening torque			Nm	2	2	4 / 13	4 / 13	4 / 13	24	24	24	24	45	45	55	55	55

1: Other voltages and / or utilization categories: please consult us
 2: For series (I) or Parallel (II) connection of 4P switches, see diagrams
 3: Indicative values: current values vary from one motor manufacturer to another
 4: Without limiting protective device (short - circuit maintained 50... 100 ms)
 5: With a protective device limiting the cut - off current and the joule integral to the indicated values
 6: Please consult us for more operations
 7: Rated operational current AC22B