

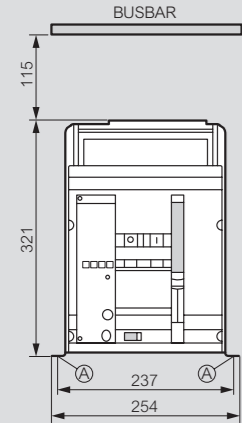
DMX³ 1600 and DMX³-I 1600 - Frame 1600

dimensions

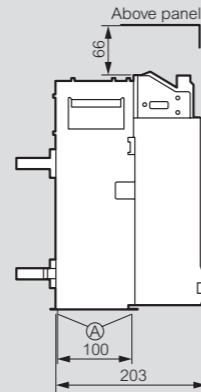
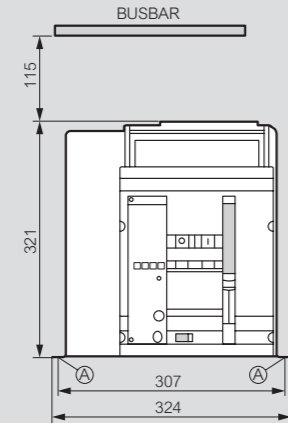
Fixed version

Overall dimensions

3P version



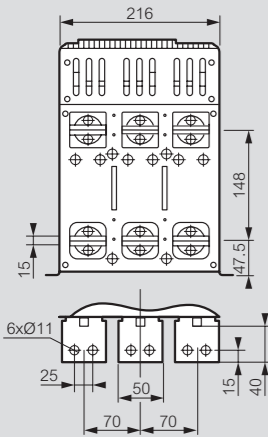
4P version



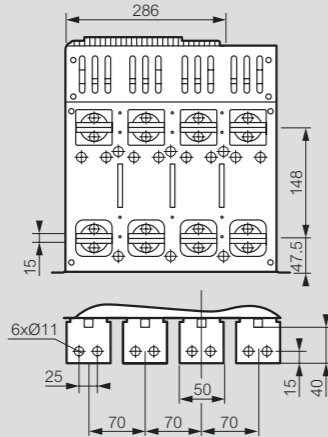
A = fixing point on plate of enclosure

Rear terminals for horizontal connection with bars

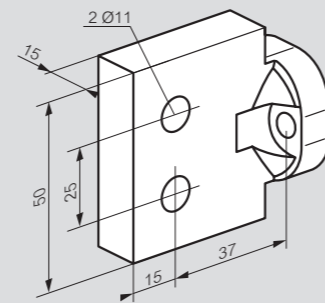
3P version



4P version

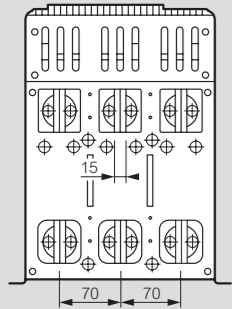


Reversible rear terminals

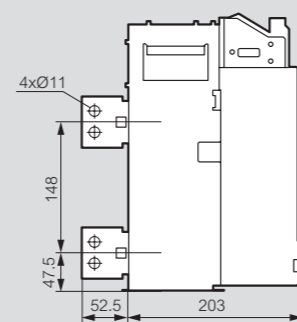
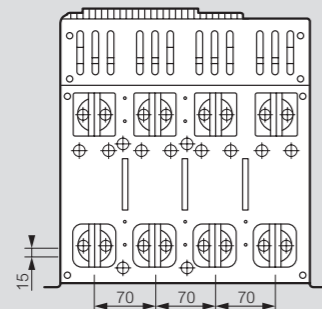


Rear terminals for vertical connection with bars

3P version



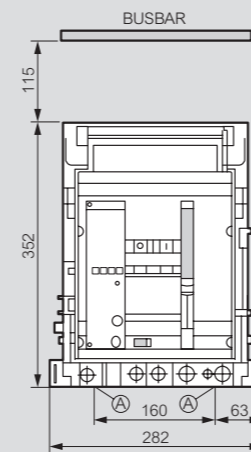
4P version



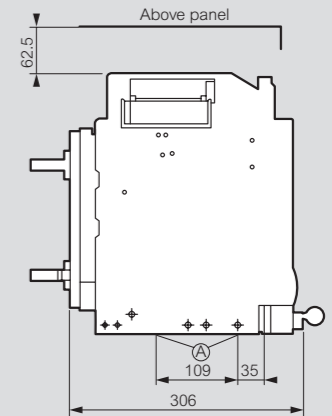
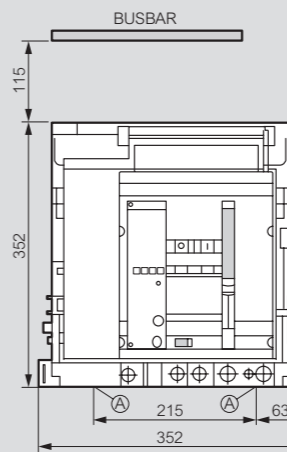
Draw-out version

Overall dimensions

3P version



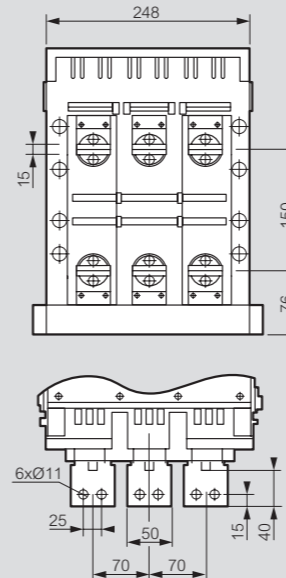
4P version



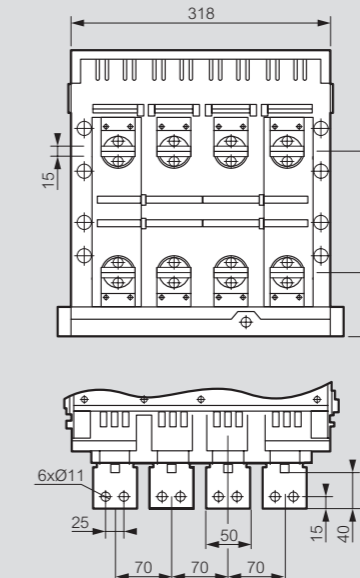
A = fixing point on plate of enclosure

Rear terminals for horizontal connection with bars

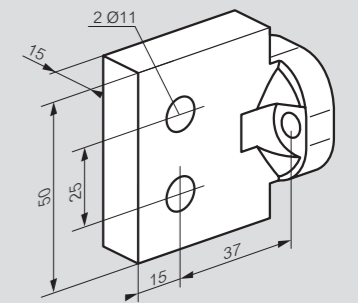
3P version



4P version

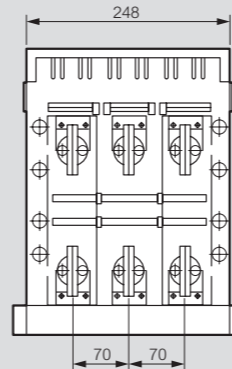


Reversible rear terminals



Rear terminals for vertical connection with bars

3P version



4P version

