

Power & data desk grommets

technical characteristics

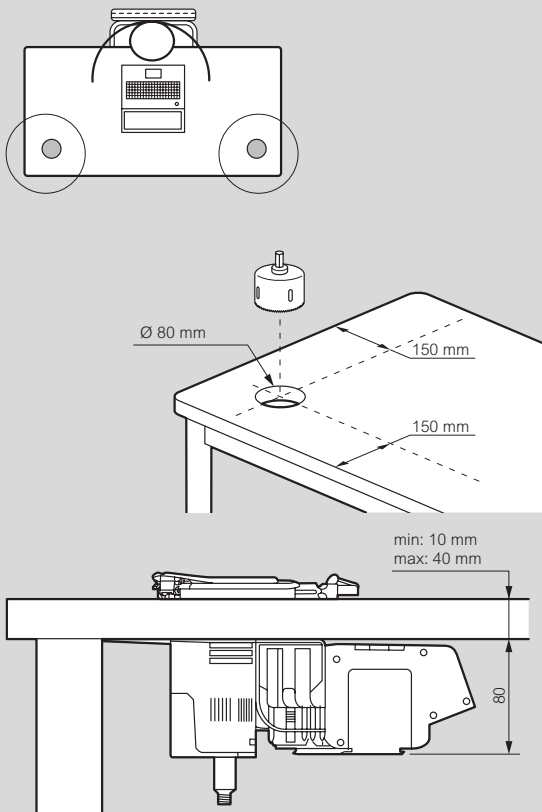
Classification of power & data desk grommets

Classification of power & data desk grommets according to IEC 60884-1

Standard IEC 60884-1	Level
7.1.1 Degree of protection against access to hazardous parts and against harmful effects due to ingress of solid foreign objects	IP2X
7.1.2 Degree of protection against harmful effects due to ingress of water	IPX0
7.1.3 Provision for earthing	Accessories with earthing contact
7.1.4 Method of connecting the cable	Rewirable accessories
7.1.5 Type of terminals	Accessories with screw type terminals Accessories with screwless terminals for rigid and flexible conductors
7.2.1 Degree of protection against electric shock	Socket-outlets with increased protection
7.2.2 Existence of shutters	Socket-outlets with shutters
7.2.3 Method of application / mounting of the socket-outlet	Flush-mounting type Portable type Table type
7.2.4 Method of installation	Fixed socket-outlets where the cover or cover plate cannot be removed without displacement of the conductors (type B)
7.3.5 Intended use	Socket-outlets for circuits where a single earthing circuit provides protective earthing for connected equipment and exposed conductive parts of the sockets, if any

Installation

Can be fitted directly into the desk, in the angle of the furniture
Table top thickness : min. 10 mm
max. 40 mm



Dimensions

