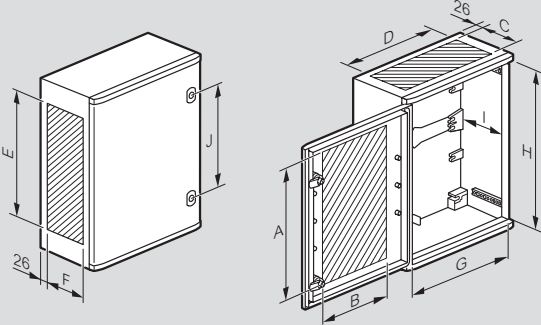


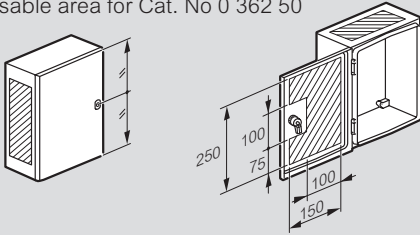
# Marina cabinets and enclosures

polyester - IP 66 - IK 10

## Dimensions, weights and usable areas of cabinets



Door usable area for Cat. No 0 362 50



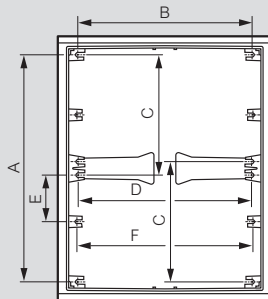
Cat.Nos	Usable area (mm)										Weight (kg)	Weight with window door (kg)
	A <sup>(1)</sup>	B <sup>(1)</sup>	C	D	E	F	G	H	I maxi	J		
0 362 50	250	150	105	195	250	115	194	280	-	-	1.75	-
0 362 51/71	300	180	130	250	260	150	260	350	178	200	3.7	4
0 362 52/72	400	280	130	350	360	150	360	450	178	300	5.1	5,6
0 362 55/75	500	280	180	350	460	180	360	560	225	400	6.4	7
0 362 56/76	600	340	170	400	560	170	460	662	211	400	11.2	12,3
0 362 61/81	700	440	220	500	660	230	560	762	261	500	15.2	16,7
0 362 63/83	900	600	220	700	860	230	760	962	261	580	21.8	23,9
0 362 64/84	1100	600	220	700	1060	230	760	1162	261	700	25	27,5

1: Except window version

## Equipment fixing in cabinets

Cat.Nos	A	B	C	D	E <sup>(1)</sup>	F
	(mm)	(mm)	(mm)	(mm)	(mm)	(mm)
0 362 50	263	163	-	-	-	-
0 362 51/71	325	225	125	225	102,5	228,5
0 362 52/72	425	325	225	325	87,5	228,5
0 362 55/75	525	325	325	325	95	328,5
0 362 56/76	625	425	425	425	100	428,5
0 362 61/81	725	525	525	525	100	528,5
0 362 63/83	925	725	725	725	100	728,5
0 362 64/84	1125	725	925	725	100	728,5

1: 2 studs on height Cat.No 0 362 50



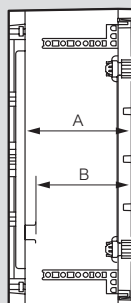
Partial plates mounting

Cabinet Cat.Nos	Plate dim. (mm)	Plate Cat.Nos		
		Plain	Lina 12.5	Lina 25
0 362 52/72	300 x 400	0 360 51	0 360 04	0 360 11
0 362 55/75	400 x 400	0 360 70	0 360 05	0 360 92
0 362 56/76	500 x 500	0 360 71	0 360 14	0 360 93
0 362 61/81	600 x 600	0 360 57	0 360 24	0 360 17
0 362 63/83	800 x 800	0 360 60	0 360 34	0 360 20
0 362 64/84	1000 x 800	0 360 61	0 360 21	0 360 42

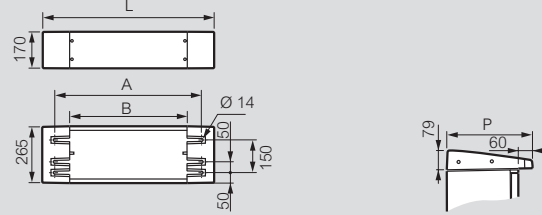


## Adjustment of equipment (optional)

Cat.Nos	Plain plate (mm)		Chassis with rail (mm)	
	A max.	A min. (with Cat.No 0 362 42)	B max.	B min. (with Cat.No 0 362 42)
0 362 50	135	-	-	-
0 362 51/71	170	70	155	55
0 362 52/72	170	70	155	55
0 362 55/75	220	70	205	55
0 362 56/76	220	70	205	55
0 362 61/81	270	70	255	55
0 362 63/83	270	70	255	55
0 362 64/84	270	70	255	55



## Plinths and roofs



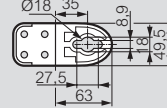
Plinths Cat.Nos	L (mm)	A (mm)	B (mm)	Weight (kg)
0 362 91	590	480	344	4.8
0 362 92	790	680	544	5.4

Roofs Cat.Nos	Width (mm)	D (mm)	Weight (kg)
0 362 93	510	310	1
0 362 94	612	360	1.3
0 362 95	812	360	1.7

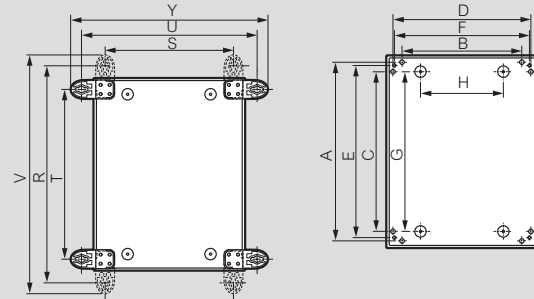
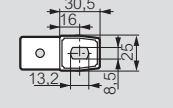
same fixing distances on ground and cabinet side

## Fixing

Cat.No 0 364 09



Cat.No 0 364 08

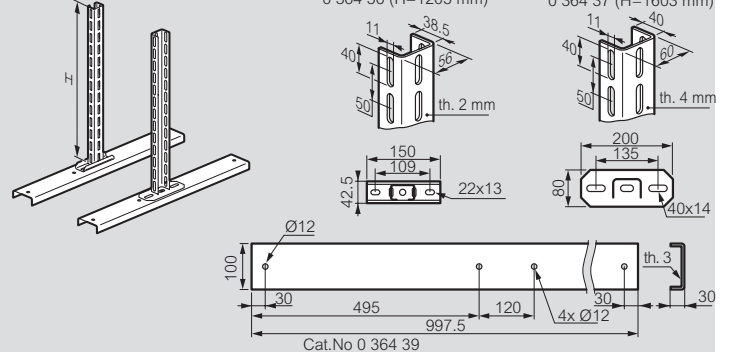


Cat.Nos	On stands 0 364 36 (mm)		Direct fixing outside mounting plate and stand area 0 364 37 (mm)		Direct fixing through rear of cabinet (mm)		With vertical brackets (mm)			With horizontal brackets (mm)		
	A	B	E	F	G	H	R	S	V	T	U	Y
0 362 50 <sup>(1)(2)</sup>	-	-	-	-	220	150	330	190	359	270	250	279
0 362 51/71	364	218	358	259	325	120	470	241	525	341	370	425
0 362 52/72	464	318	458	359	425	220	570	341	625	441	470	525
0 362 55/75	574	318	558	358	525	220	680	341	735	551	470	525
0 362 56/76	683	427	664	468	600	200	789	441	844	641	579	634
0 362 61/81	781	525	764	568	700	300	887	548	942	758	677	732
0 362 63/83	981	725	964	768	900	500	1087	748	1142	958	877	932
0 362 64/84	1181	725	1164	768	1100	500	1287	748	1342	1158	877	932

1: With brackets Cat.No 0 364 08

2: S and T dimensions: insert fixing centres

## Stands



## Coupling kit for cabinets Cat.No 0 362 44

