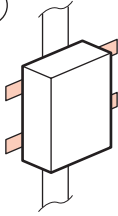
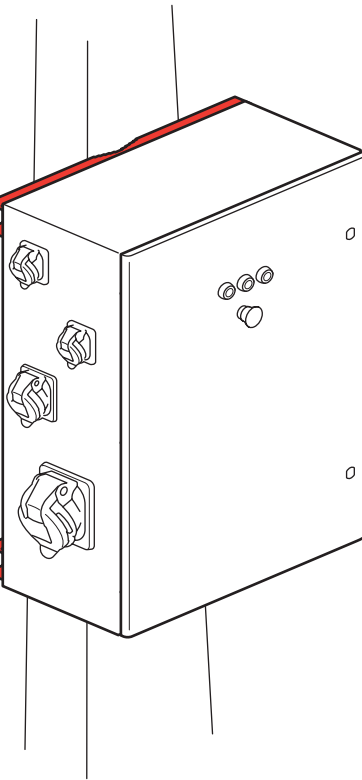


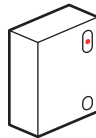
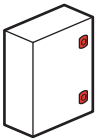
F



364 49

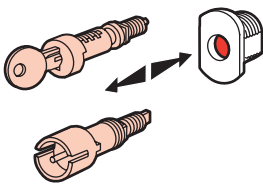


G

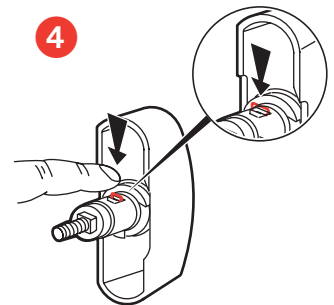
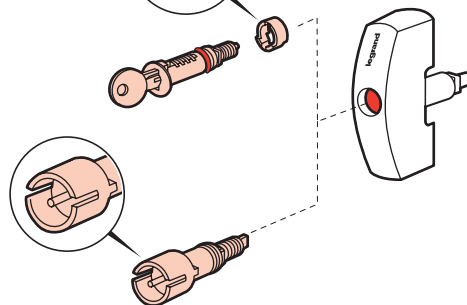
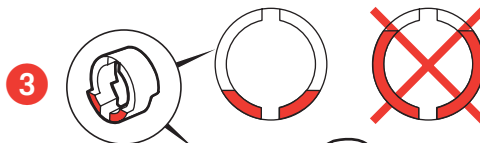
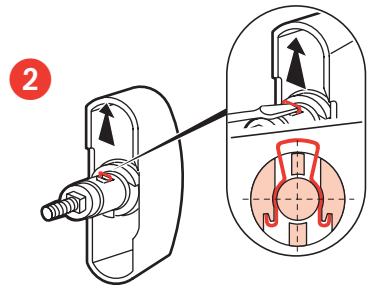
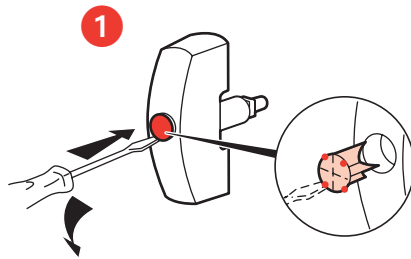


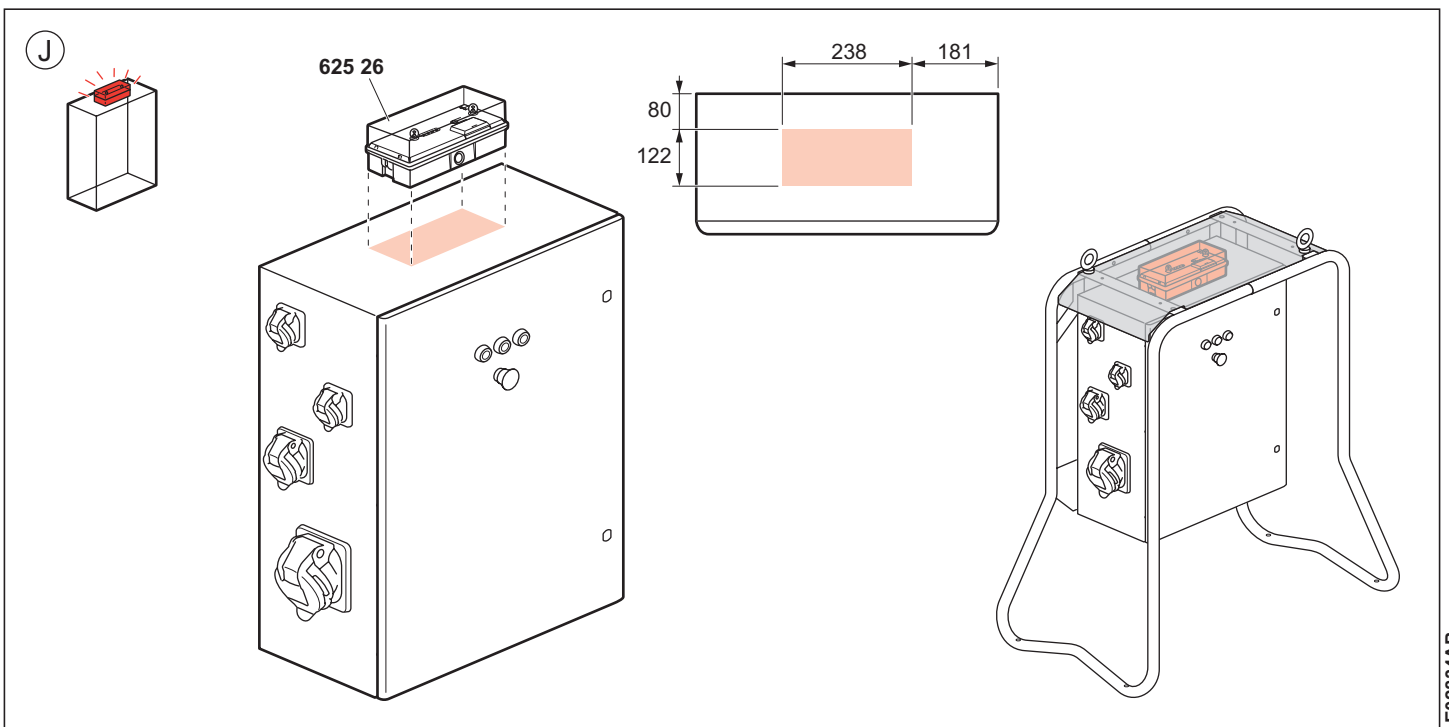
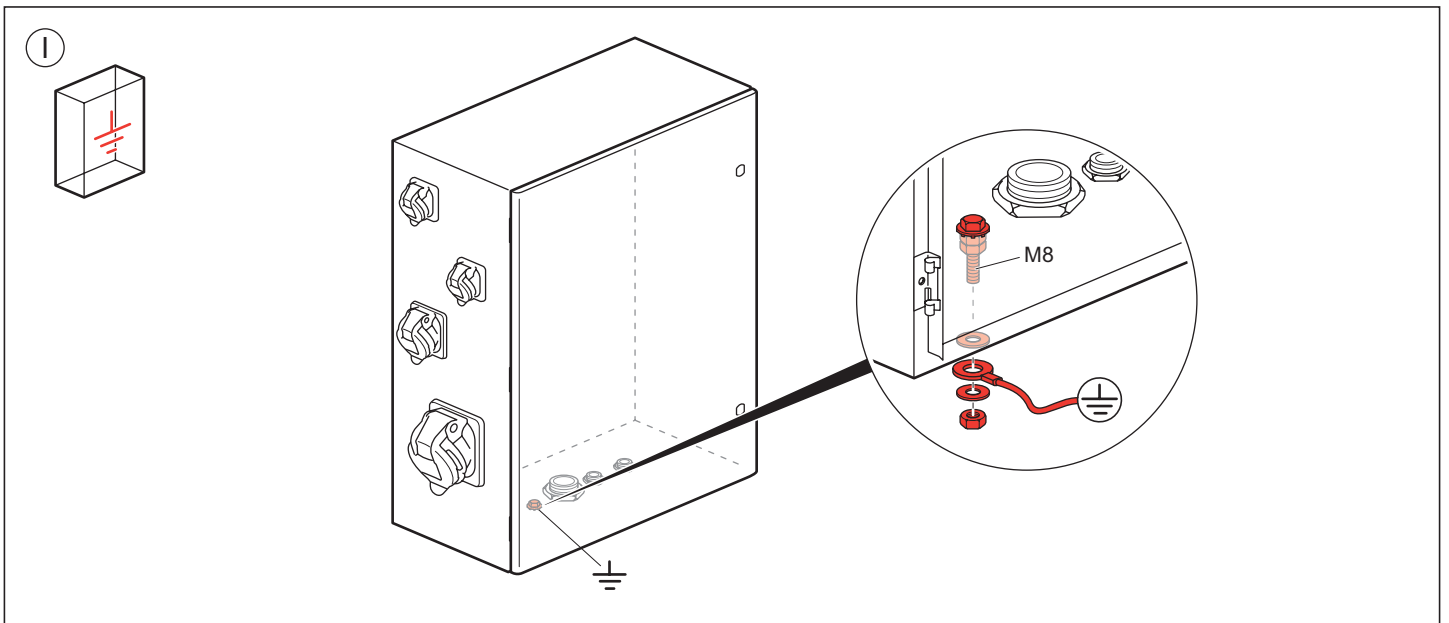
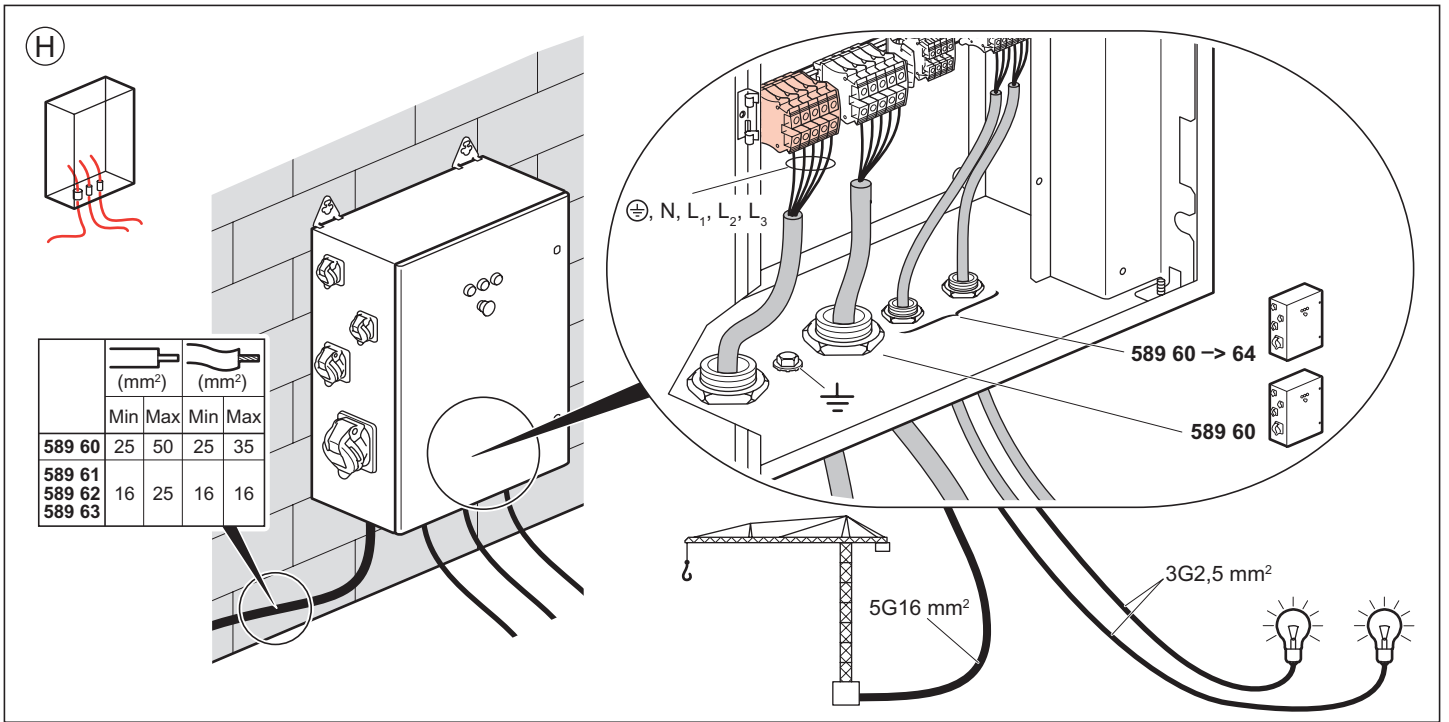
368 05/06

365 45  
368 22 → 27

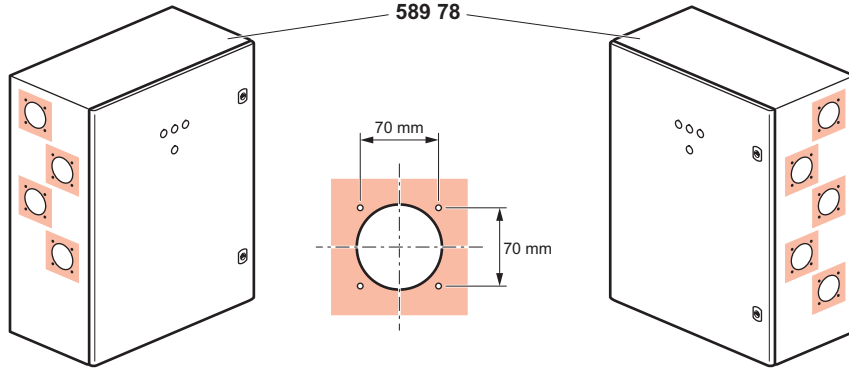
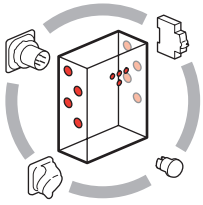


368 13/16 → 20

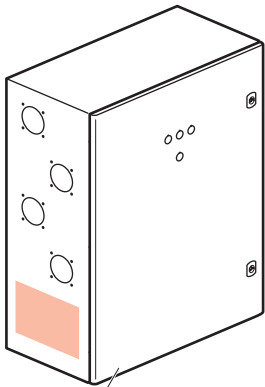
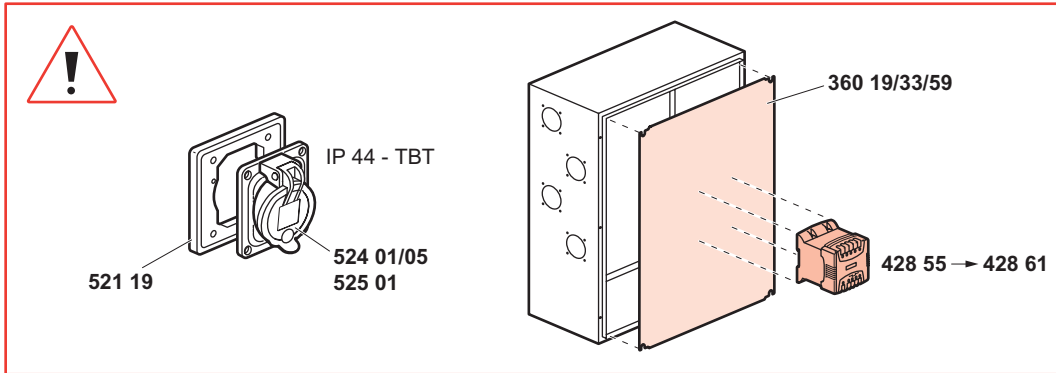
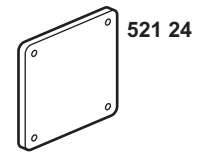
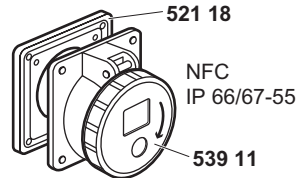
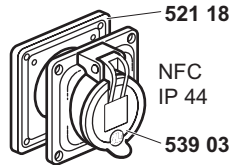
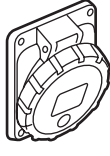
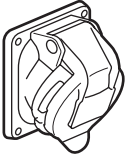




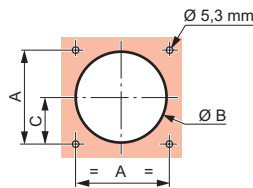
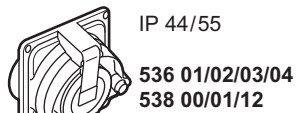
K



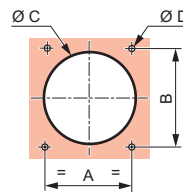
IEC 16/32 A  
IP44 IP 66/67 - 55



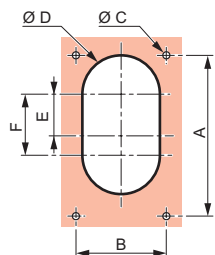
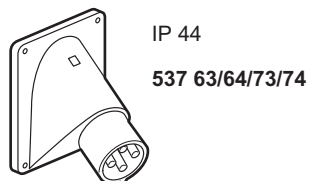
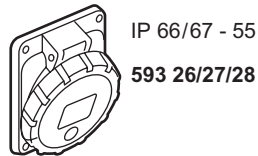
589 78



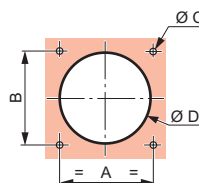
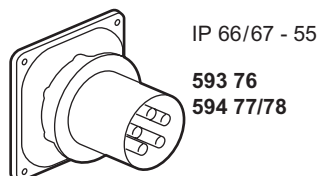
|      |                        | A   | ØB   |      | C    |
|------|------------------------|-----|------|------|------|
|      |                        |     | min. | max. |      |
| 63 A | 2P+T<br>3P+T<br>3P+N+T | 125 | 120  | 122  | 59,5 |



|      |                        | A  | B  | ØC | ØD  |
|------|------------------------|----|----|----|-----|
| 63 A | 2P+T<br>3P+T<br>3P+N+T | 77 | 85 | 92 | 6,5 |

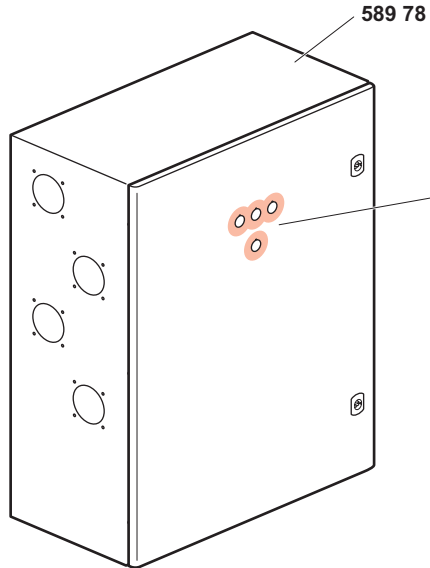
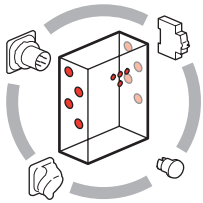


|      |                        | A   | B  | ØC  | ØD | E  | F  |
|------|------------------------|-----|----|-----|----|----|----|
| 63 A | 2P+T<br>3P+T<br>3P+N+T | 163 | 93 | 6,5 | 80 | 42 | 62 |



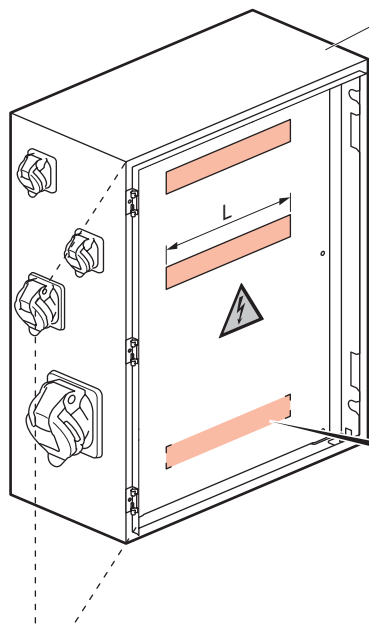
|      |                        | A  | B  | ØC  | ØD       |
|------|------------------------|----|----|-----|----------|
| 63 A | 2P+T<br>3P+T<br>3P+N+T | 77 | 85 | 5,6 | 80 -> 95 |

K

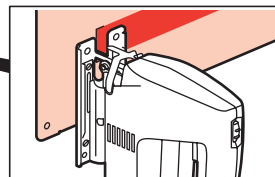
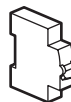


Ozmoz Ø 22

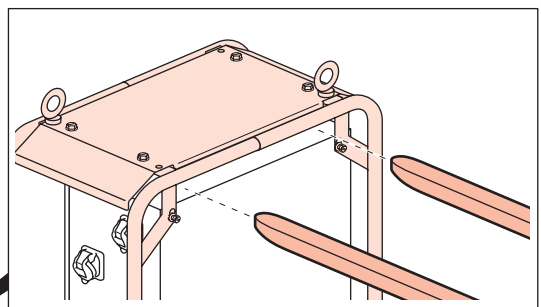
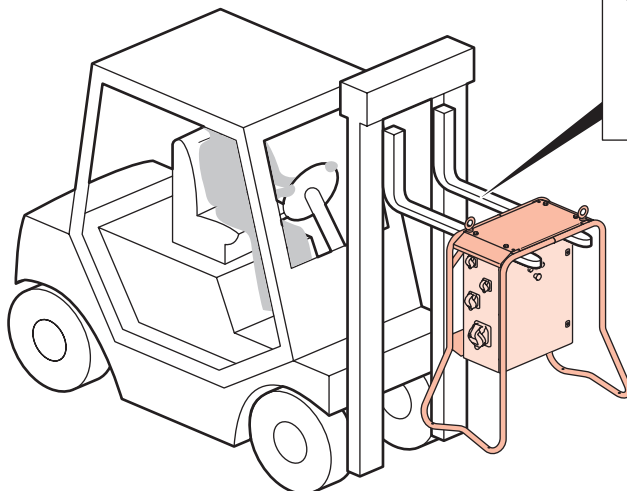
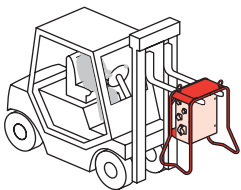
589 78



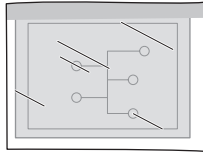
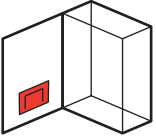
L = 17 x



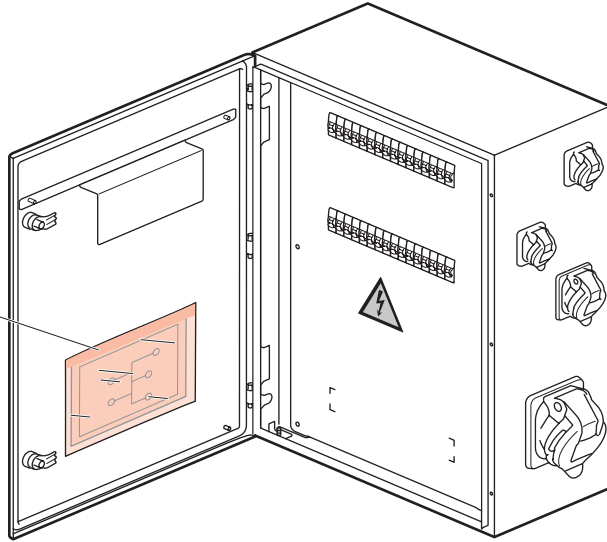
L



(M)

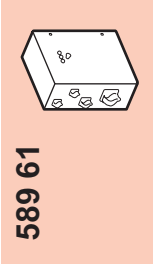


097 99

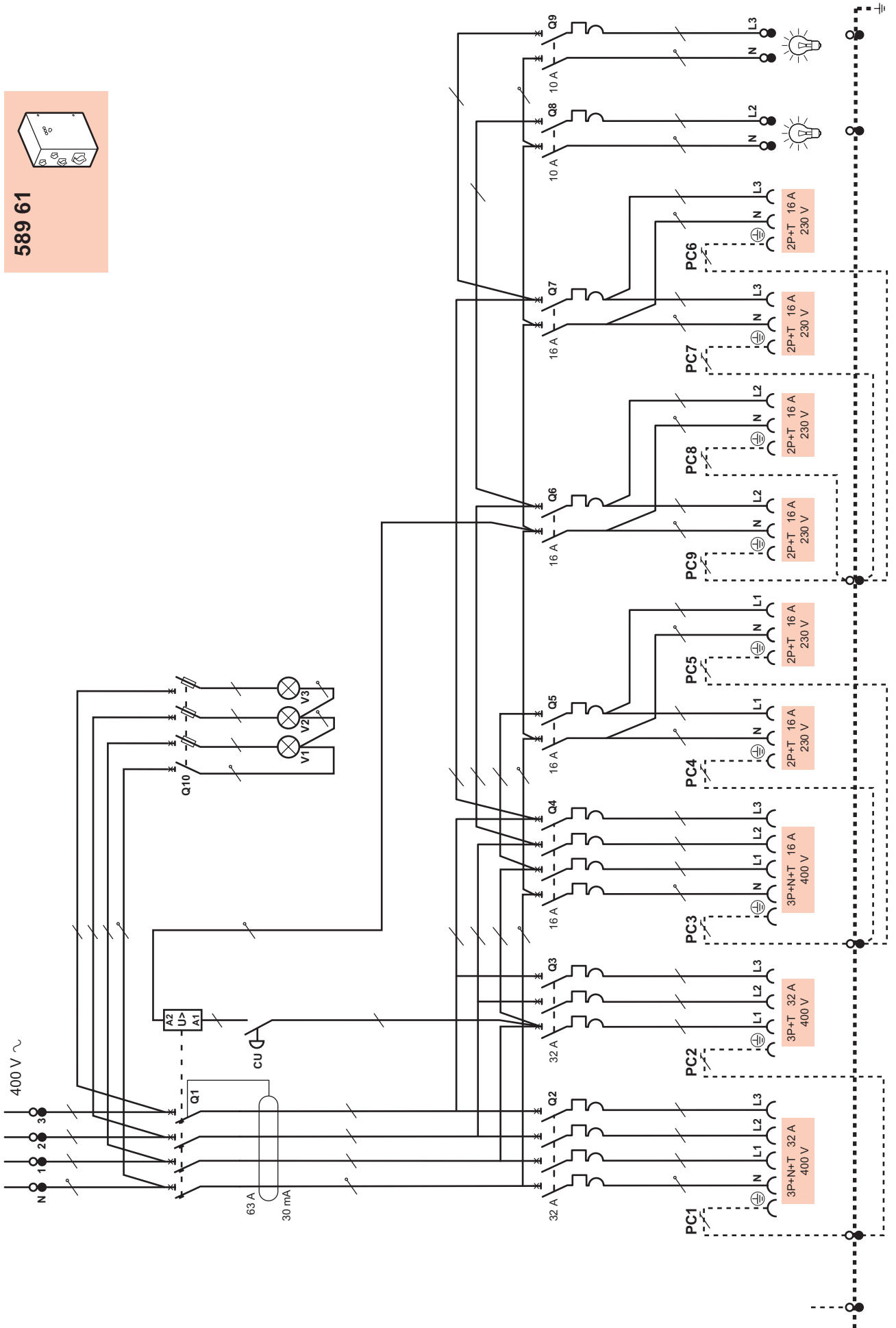








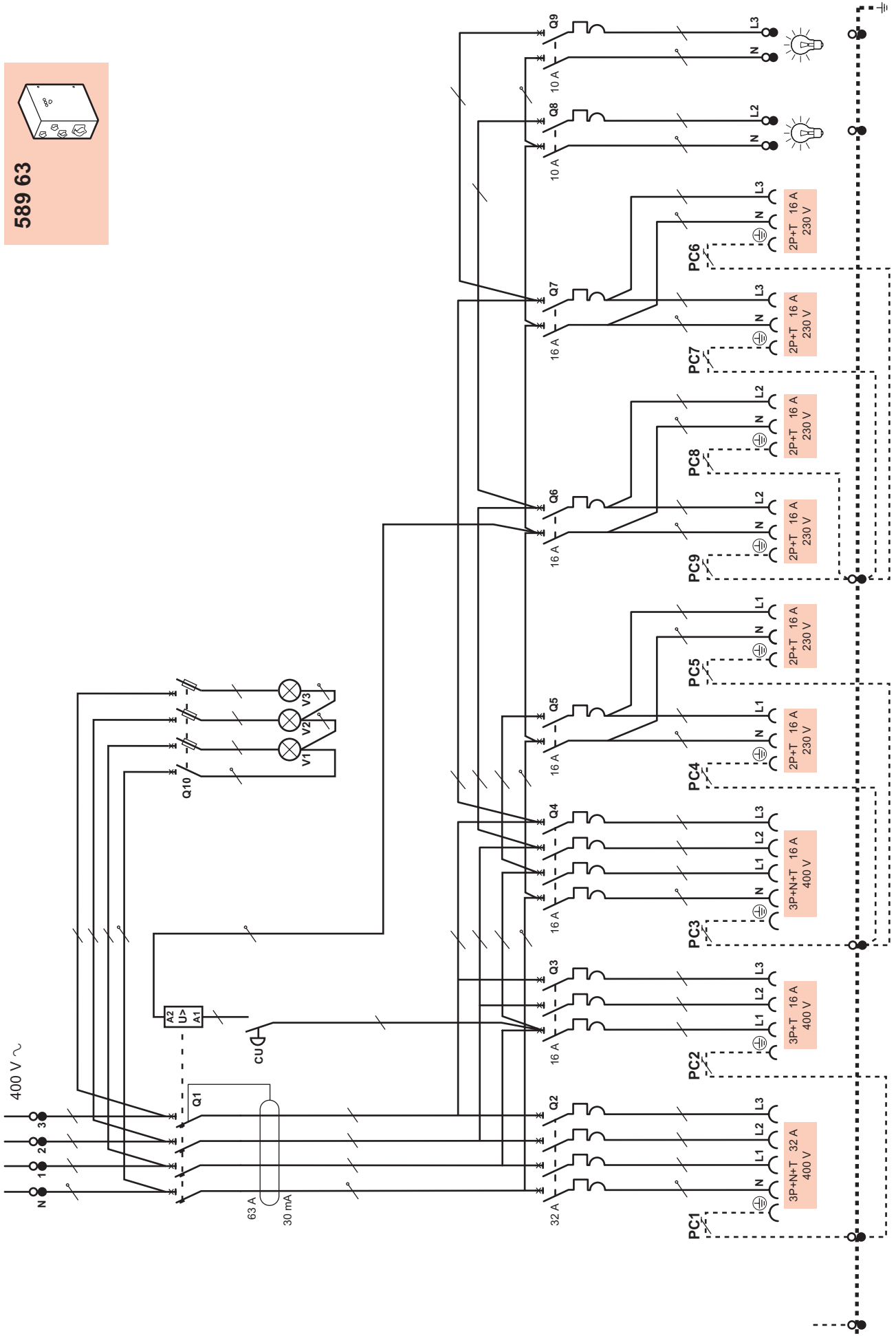
589 61

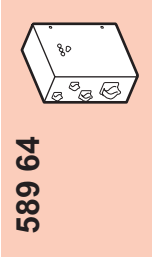


LE02834AB



589 63





589 64

