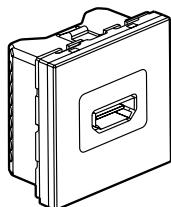


Mosaic™
HDMI socket

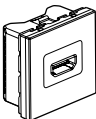
Catalogue number(s): 0 787 68



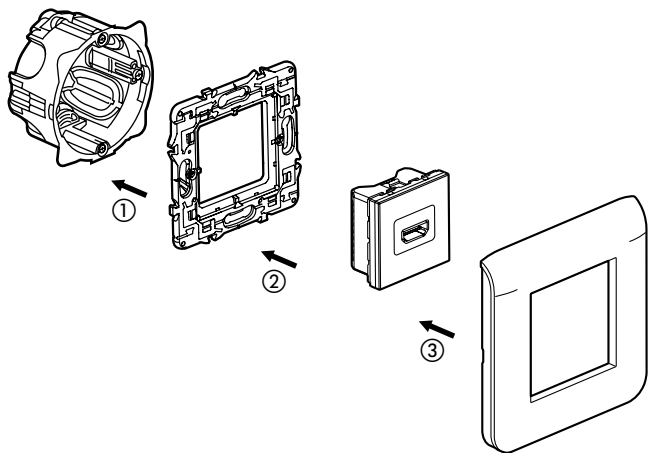
1. USE

The HDMI socket is an audio-video socket for connecting terminals such as plasma or LCD televisions, home-cinema systems, DVD recorders, satellite demodulators, etc. The connection is a high-fidelity digital format. To ensure quality output, the connection between the two devices should not exceed 10 m. For longer connections, it would be necessary to provide an amplification system in the installation. The connectors are type A and conform to the HDMI 1.3 standard.

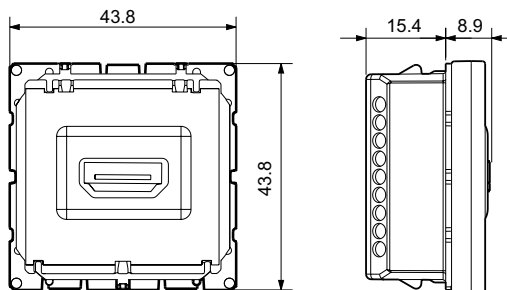
2. RANGE

	Description	Cat. Nos.	Weight (g)
	2M white HDMI socket	0 787 68	58
	2M aluminium HDMI socket	0 792 75	60

3. FITTING



4. OVERALL DIMENSIONS



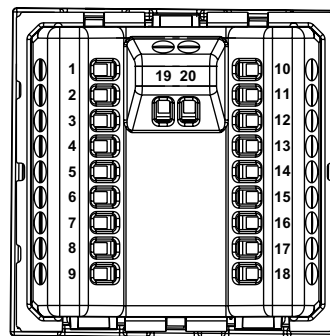
5. CONNECTION

Wide terminal block which accommodates conductors 1 mm² max. Supplied in a bag containing:

- crimping ferrules for conductors < 0.5 mm²
- thermoformable sheaths

Cable bending radius: 35 mm

Max. cable length: 10 m (for longer distances, an HDMI amplifier is recommended)



- | | |
|------------------|------------------|
| 1 - TMDS Data 2+ | 13 - CEC |
| 2 - TMDS Data 2 | 14 - |
| 3 - TMDS Data 2- | 15 - SCL |
| 4 - TMDS Data 1+ | 16 - SDA |
| 5 - TMDS Data 1 | 17 - GND |
| 6 - TMDS Data 1- | 18 - + 5v |
| 7 - TMDS Data 0+ | 19 - HPD |
| 8 - TMDS Data 0 | 20 - Braid (GND) |
| 9 - TMDS Data 0- | |
| 10 - TMDS Clock+ | |
| 11 - TMDS Clock | |
| 12 - TMDS Clock- | |

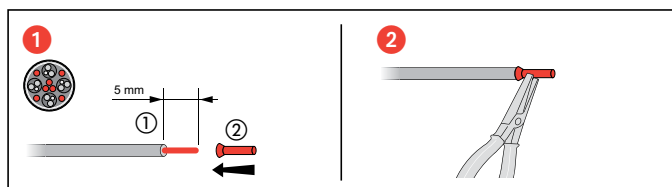
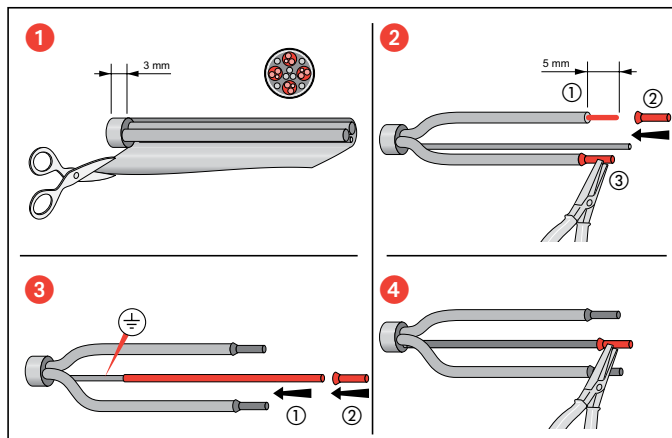
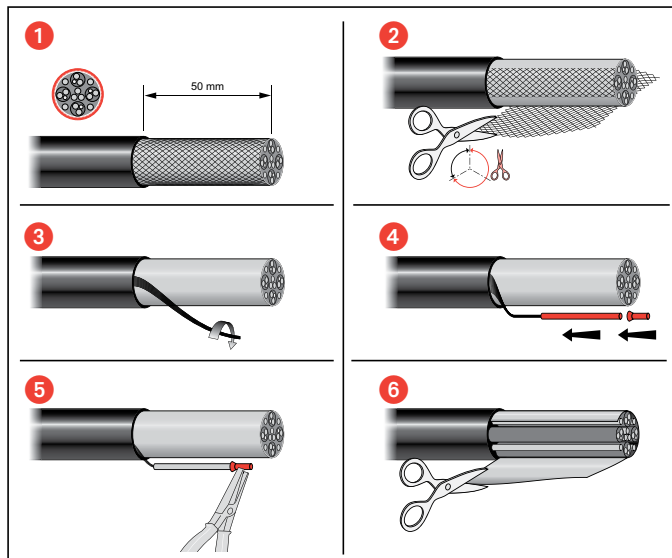
Mosaic™ HDMI socket

Catalogue number(s): 0 787 68

5. CONNECTION (continued)

Wiring

Tools required: 0.4 x 2.5 mm flat screwdriver, long nose pliers and wire cutters.



6. TECHNICAL CHARACTERISTICS

6.1 Mechanical characteristics

Impact tests: IK 04

Penetration by solid/liquid matter: IP 40

6.2 Material characteristics

Cover plate: ABS (RAL 9003)

Self-extinguishing: 650°C/30 s

6.3 Climatic characteristics

Storage temperature: - 10°C to + 70°C

Usage temperature: - 5°C to + 50°C

7. MAINTENANCE

Clean the surface with a cloth.

Do not use: acetone, tar-removing cleaning agents or trichloroethylene.

7.1 Resistance to cleaning products

Resistant to the following products: - Hexane (EN 60669-1)

- Methylated spirit

- Soapy water

- Diluted ammonia

- Bleach diluted to 10%

- Window-cleaning products

- Pre-impregnated wipes

7.2 Resistance to hospital grade cleaning products

Resistant to the following products: - Anios

- Surfanios

- Bactilysine

- Hydrogen peroxide (35%)

Warning: Always test before using other special cleaning products.