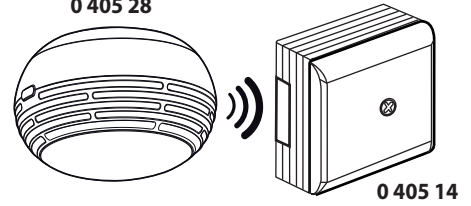


Operation:

The radio relay changes status (NO/NC toggle contact) when an alarm signal is sent from a smoke detector alarm.

Can be paired with smoke detector alarms with radio link (Cat. No. 0 405 28)

0 405 18
0 405 28



Power supply: backed up external 12 VDC
Consumption in standby mode: 0.1 mA / 12 V
Consumption in alarm mode: 35 mA / 12 V
Indoor environment
Operating temperature: - 10°C to +50°C
Number of relays per smoke detector alarm: unlimited
Range of radio link in free field: 100 m
Cut-off power: 1 A / 30 V

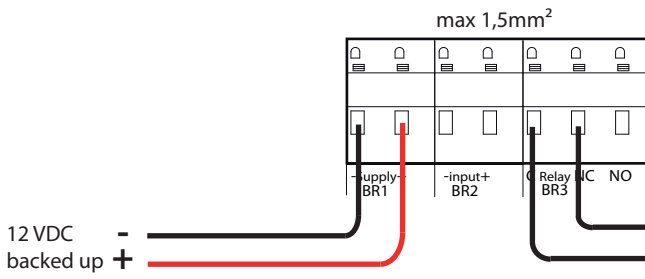
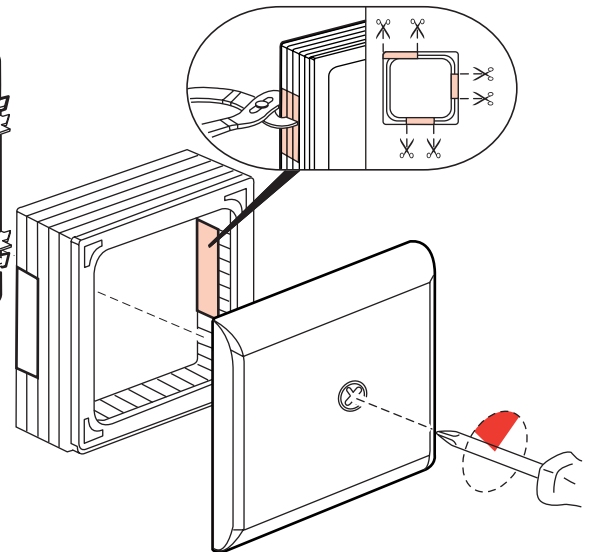
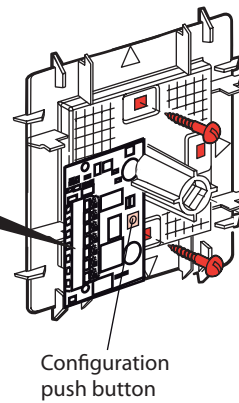
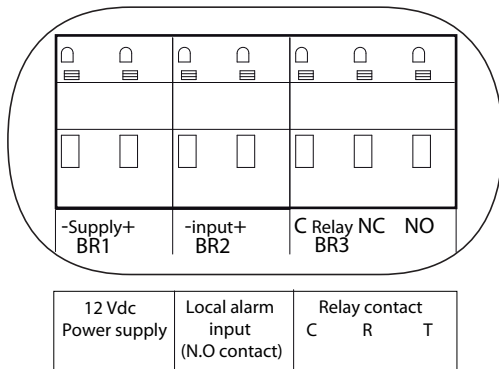
⚠ Safety instructions

GB CA IN IE US

This product should be installed in compliance with installation rules, preferably by a qualified electrician. Incorrect installation and use can lead to risk of electric shock or fire.
Before carrying out the installation, read the instructions and take account of the product's specific mounting location.
Do not open up, dismantle, alter or modify the device except where specifically required to do so by the instructions. All Legrand products must be opened and repaired exclusively by personnel trained and approved by Legrand. Any unauthorised opening or repair completely cancels all liabilities and the rights to replacement and guarantees. Use only Legrand brand accessories.

Assembly Installation

Connection terminal



Note:

- In TEST mode, the BR3 output relay is not activated.
- In ALARM mode, the BR3 output relay is activated.

Environmental protection



This product is governed by Directive 2002/96/EC - Waste Electrical and Electronic Equipment (WEEE). This symbol, placed on the product or its packaging, indicates that the product must not be disposed of with household waste. It must be taken to an appropriate collection centre for the recycling of electrical and electronic equipment.



This product complies with Directive ROHS 2002/95/EC on limiting the use of certain hazardous substances in WEEE since 1 July 2006.

Pairing with a radio smoke detector alarm

1. Power up the relay board (receiver).
2. Hold down the configuration push button on Relay Cat. No. 0 405 14 for 5 seconds. 3 beeps confirm that the action has been taken into account and the orange LED flashes. Relay Cat. No. 0 405 14 sends a request to an existing group (smoke detector alarms)
3. Press the test button on one of the group's smoke detector alarms. 1 long beep confirms completion of the action. Relay Cat. No. 0 405 14 is now paired with the smoke detector alarm and automatically switches to installation optimisation mode.
4. Move Relay Cat. No. 0 405 14 towards its planned location and check the quality of reception of the radio signal (see "radio link quality check" table below). Sequences of 1 to 5 beeps a few seconds apart indicate the quality of the radio link.
5. Mount Relay Cat. No. 0 405 14 at its chosen location.
6. Press the configuration push button on Relay Cat. No. 0 405 14. 4 beeps confirm that it has left installation optimisation mode, and 4 more beeps confirm that it has left configuration mode. The system is now operational.

- Cancelling the pairing of a smoke detector alarm:

Press for 10 seconds at stage 2 of the pairing procedure (see above). 4 long beeps confirm it has been cancelled.

- Radio link quality check

When Relay Cat. No. 0 405 14 is in installation optimisation mode, it sounds 1 to 5 beeps a few seconds apart. Check the quality of the radio link according to the number of beeps sounded by Relay Cat. No. 0 405 14.

Number of beeps	1	2	3	4	5
Reception quality	- -	-	+	+	+ +
	NOT RECOMMENDED Risk of system failure		Recommended installation		

DO NOT CHANGE THE POSITION OF THE MICRO SWITCHES (OFF by default)



Use

- Testing a single smoke detector alarm:

This function can be used at any time to check the quality of the radio link between a smoke detector alarm or carbon monoxide detector and Cat. No. 0 405 14.

- Press the test push button on the smoke detector alarm
- The test signal is sent to Relay Cat. No. 0 405 14 for 5 minutes.
- To stop the test signal, press the push button on Relay Cat. No. 0 405 14 again.

	TEST signal	Comment
For 1 minute	Acoustic beeps + flashing red indicator light	The number of beeps and flashes indicate the radio link quality of the last signal received.
Then for 4 minutes	Flashing red indicator light	

- Testing all smoke detector alarms :

This function can be used to check the quality of the radio link between all detectors paired with Relay Cat. No. 0 405 14.

- Press (briefly) the push button on Relay Cat. No. 0 405 14
- The test is activated on all paired smoke detector alarms. An audible signal indicates that transmission is in progress.

Note: this function is disabled in alarm mode.

- Alarm signaling

Relay Cat. No. 0 405 14 receive informations coming from paired smoke detector alarm in the same system.

When an alarm information is sent, the red indicator of the relay Cat. No. 0 405 14 lights fixed.

Rearming is done automatically around 20 seconds after the alarm origin disappeared.

- Visual and acoustic identification

Visual signals	Meaning	Comment
Blue indicator light	radio activity	-
Red indicator light	steady	alarm signal received
	flashing	test signal received
		the number of flashes indicates the radio link quality of the last signal received

Acoustic signals	Meaning	Comment
1 to 5-beep sequences / 1 minute	test signal received	number of beeps indicates the quality of the last signal received
1 to 5-beep sequences at intervals of a few seconds	pairing in progress	number of beeps indicates the quality of the signal received