

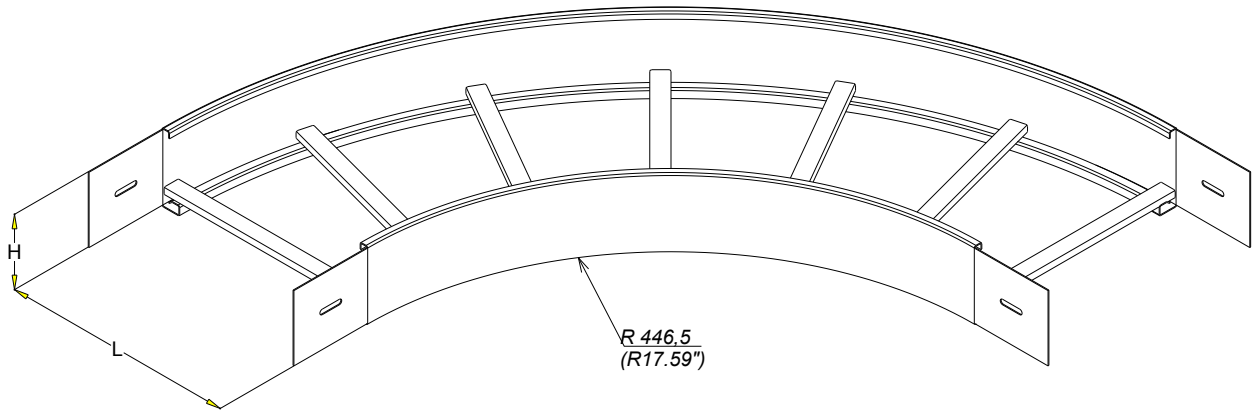
IB GLO 4  
IB GLO 4

GC  
HDG

**legrand** | CABLE  
MANAGEMENT

FT0627-3

11 13



REF	CODE	H <sub>(mm)</sub>	H <sub>(inch)</sub>	L <sub>(mm)</sub>	L <sub>(inch)</sub>	Poids <sub>(kg)</sub>	Weight <sub>(lb)</sub>
IB GLO4M60/200GC	8362412	60	2.36	200	7.88	2,81	6.199
IB GLO4M60/300GC	8362413	60	2.36	300	11.82	3,35	7.417
IB GLO4M60/400GC	8362414	60	2.36	400	15.76	4,17	9.233
IB GLO4M60/500GC	8362415	60	2.36	500	19.70	5,97	13.218
IB GLO4M60/600GC	8362416	60	2.36	600	23.64	6,88	15.233
IB GLO4M100/200GC	8362512	100	3.94	200	7.88	3,89	8.608
IB GLO4M100/300GC	8362513	100	3.94	300	11.82	4,75	10.521
IB GLO4M100/400GC	8362514	100	3.94	400	15.76	5,81	12.859
IB GLO4M100/500GC	8362515	100	3.94	500	19.70	7,23	16.008
IB GLO4M100/600GC	8362516	100	3.94	600	23.64	8,53	18.892

NORMES / STANDARD	
MATIERE / MATERIAL S235 JR	EN 10 025
PROTECTION / COATING GC / HDG	EN ISO 1461