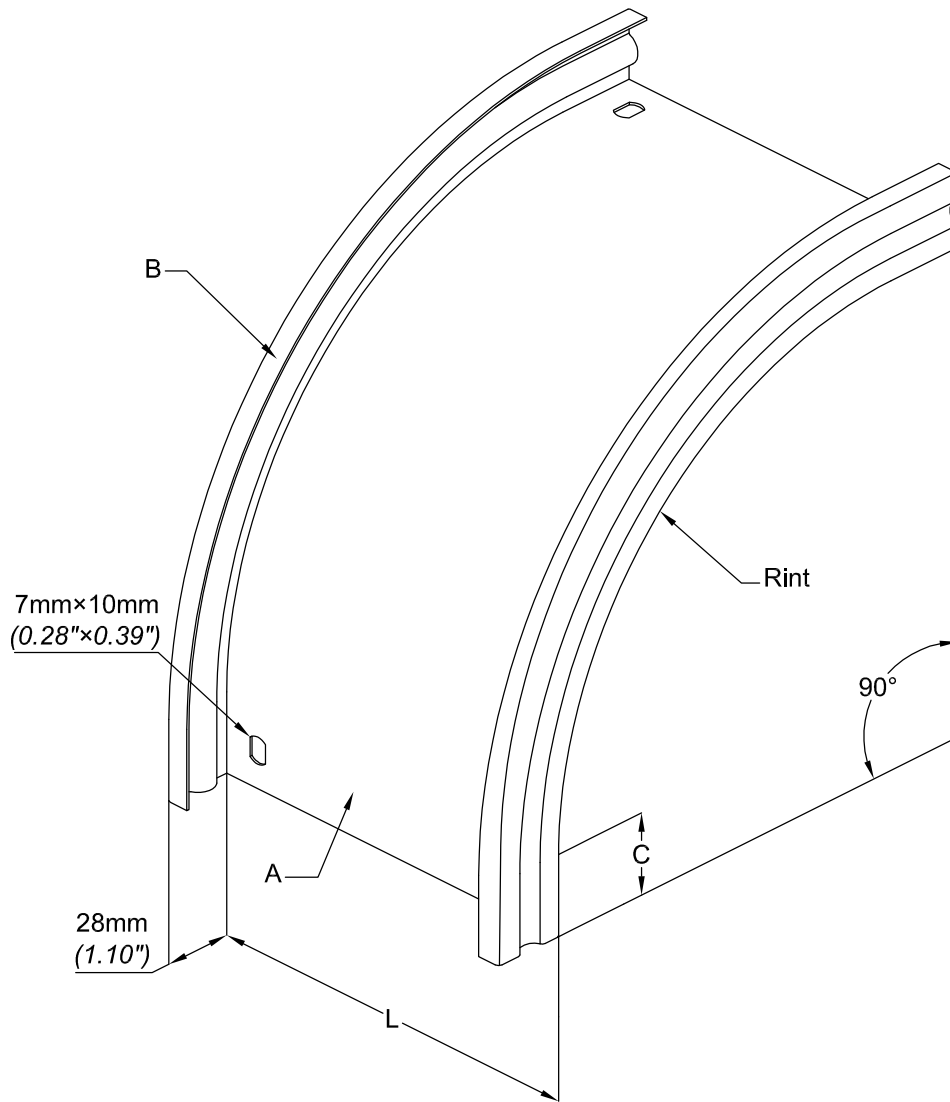


FT0595-4

09 11



REF	CODE	L (mm) / L (Inch)	A (mm) / A (Inch)	B (mm) / B (Inch)	C (mm) / C (Inch)	R (mm) / R (Inch)
P31 OR 25x50	343 030	50 (1.97")	0.8 (0.032")	1 (0.039")	30 (1.18")	42 (1.65")
P31 OR 25x75	343 031	75 (2.92")	0.8 (0.032")	1 (0.039")	30 (1.18")	150 (5.91")
P31 OR 25x100	343 032	100 (3.94")	0.8 (0.032")	1 (0.039")	30 (1.18")	150 (5.91")
P31 OR 25x150	343 033	150 (5.91")	0.8 (0.032")	1 (0.039")	30 (1.18")	150 (5.91")
P31 OR 25x200	343 034	200 (7.87")	0.8 (0.032")	1 (0.039")	30 (1.18")	150 (5.91")
P31 OR 25x300	343 035	300 (11.81")	1 (0.039")	1 (0.039")	30 (1.18")	150 (5.91")
P31 OR 25x400	343 036	400 (15.75")	1 (0.039")	1 (0.039")	50 (1.97")	223 (8.79")
P31 OR 25x500	343 037	500 (19.69")	1 (0.039")	1 (0.039")	50 (1.97")	223 (8.79")

NORMES / STANDARD

MATIERE / MATERIAL
 S 235 JR

EN 10 025

PROTECTION / COATING
 Geomet 500 Grade A