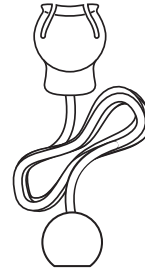
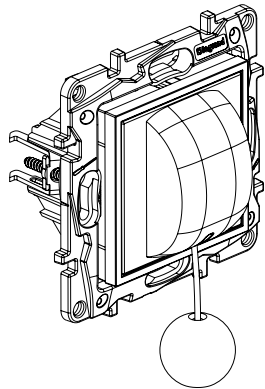


# Niloé™ Step

## Pull cord push-buttons 6 A

Cat. No(s): 8 641 13 - 8 643 13  
 8 645 13 - 8 646 13



8 64X 13

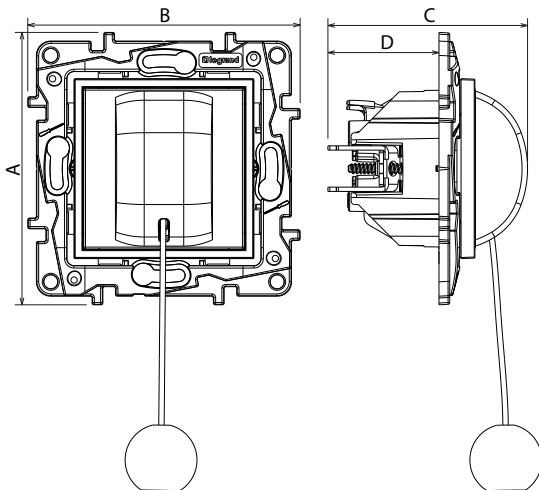
### 1. USE

Lighting controls mechanisms 6 A - 250 V~.  
 Mechanisms supplied with protection cover.  
 To be equipped with plates one or several gangs.  
 Flush-mounting or surface-mounting.  
 Screw or claw fixing.

### 2. RANGE

Description	Mechanism + Cover plate			
	White	Aluminium	Black	Stand
Pull cord changeover push-button	8 641 13	8 643 13	8 645 13	8 646 13

### 3. DIMENSIONS (mm)



References	A	B	C	D
8 64X 13	75.8	75.8	55.6	31

### 4. CONNECTION

Type of terminals: automatic  
 Capacity: 2 x 2.5 mm<sup>2</sup>  
 Flexible or rigid cables compatible  
 Stripping length: 12 mm

### 5. TECHNICAL CHARACTERISTICS

#### ■ 5.1 Mechanical characteristics

Protection against solid bodies and liquids: IP 20  
 Protection against impact: IK 04

#### ■ 5.2 Material characteristics

Material : - Mechanism housing: PC  
 - Rocker plate: ABS  
 - Halogen free  
 - UV resistant  
 - Claws: steel

Material of the support: - PC + FV  
 - Halogen free

Self-extinguishing:

+ 850° C / 30 s for insulating parts holding live parts in place  
 + 650° C / 30 s for other parts made of insulating materials

#### ■ 5.3 Electrical characteristics

Voltage: 250 V~  
 Current: 6 A  
 Frequency: 50/60 Hz

#### ■ 5.4 Climatic characteristics

Storage and use temperature: - 5° C to + 35° C

### 6. MAINTENANCE

Surface cleaning with a cloth.

Do not use: acetone, tar remover, trichloroethylene.

Maintenance with the following products: Hexane (EN 60669-1),  
 Methylated spirit, Soapy water, Diluted ammonia, Bleach diluted to 10%,  
 Window-cleaning products.

**Caution:** A preliminary test should be carried out if other specific cleaning products are to be used.

### 7. STANDARDS AND APPROVALS

Compliance with standards of installation and manufacturing.  
 Refer to e. catalogue.