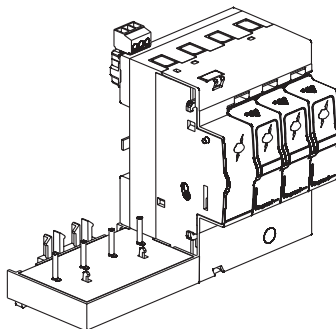


4 122 60/62/64/66



4 122 61/63/65/67

CONTENTS	Page
1. General characteristics	1
2. Dimensions	3
3. Technical characteristics	3
4. Conformity	5
5. Installation	5
6. Accessories	7

1. GENERAL CHARACTERISTICS

1.1 Brief description

Add-on surge protective devices for installations supplied with 230/400 V~ (50-60 Hz). SPDs T2 (Class II) recommended for the protection of secondary distribution boards.

Equipped with plug-in modules with status indicator:

- Green: SPD operational
- Orange: plug-in module needs to be replaced

Equipped with an auxiliary unit for the remote monitoring of the status of both the SPD and also the associated MCB.

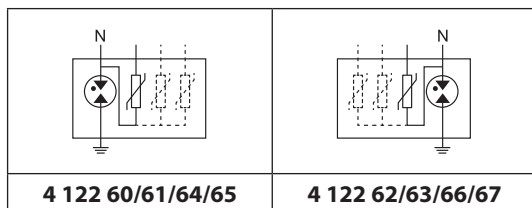
4 122 60/61/62/63 : Add-on SPDs T2 (Class II) for single phase and three phase + neutral power lines (Imax = 20 kA ; In 5 kA)
 Short-circuit current max : 25 kA
 Earthing systems : TT, TNS

4 122 64/65/66/67 : Add-on SPDs T2 (Class II) for single phase and three phase + neutral power lines (Imax = 40 kA ; In 20 kA)
 Short-circuit current max : 25 kA
 Earthing systems : TT, TNS

1.2 Protection modes

SPDs 1P+N/3P+N

TT, TNS systems



Surge protective devices with L-N and N-PE protection modes (common and differential protection modes), the neutral (N) being protected by encapsulated spark gaps with higher power capacities than the phase protection. Also called mode "1+1" or "connection type 2" (CT2) according to standards HD/IEC 60364 clause 534.

Two-phase mains supplies

Use SPDs 1P or 2P.

IT systems

Use SPDs 1P/3P/4P with Uc 440 V~

1.3 Applications

1.3.1 Installation standards

1.3.1.1 NFC 15-100

According to this standard, SPDs are compulsory at the source of any new (or refurbishment) installation that is:

- equipped with an LPS (lightning protection system) or lightning conductor (also see section 1.3.3)
- supplied with overhead power lines when located in a geographical area classified AQ2 (Nk > 25)

In the latter case, a lack of SPDs can however be justified by a risk analysis according to the UTE C 15-443 guide, standard IEC 60364-4-443 or any other recognised equivalent method.

An SPD may also be required in geographical areas classified AQ2 for certain installations:

- with home-based medical services
- equipped with security systems for people and property (fire alarm, technical or social alarms, etc).

Note:

SPDs are usually recommended anywhere where the safety of people may depend directly or indirectly on the continuity of service of this equipment.

The use of SPDs is also strongly recommended in mountainous areas, near large bodies of water or dominant structures (tall buildings, trees, etc), for installations at the end of a line or located less than 50 m from buildings equipped with a lightning conductor.

Nk = keraunic level (number of days a year when lightning strikes occur in a given area)

Ng = Nk/10 where Ng: number of strikes a year per km².

Installations with a lightning conductor or a LPS (or equipped with something that can act as a lightning conductor, such as a metal structure higher than the surrounding buildings, aerials, etc):

- Type 1 SPD (Iimp ≥ 12.5 kA) compulsory at the installation source (main distribution board in secondary buildings)
- Installations more than 10 m high (apartment buildings, office buildings, hotels, etc): type 2 SPD recommended for protecting private areas and floor distributors (communal areas) in addition to a type 1 SPD
- Installations with numerous private areas (apartment buildings, office buildings, etc): type 2 SPD where In ≥ 5 kA compulsory at the source of each private area if the type 1 SPD cannot be installed at the installation source.

1.3.1.2 HD 60364, IEC 60364

According to articles 443 and 534 of standards HD/IEC 60364 and guides TS/IEC 61643-12, the use of SPDs in new or renovated buildings is compulsory at the supply end of the installation in the following cases:

- Buildings with lightning conductors or a LPS (T1 SPD, $I_{imp} \geq 12.5$ kA)
- Buildings with totally or partially overhead power supplies in AQ2 geographical areas (article 443.3.2.1 - AQ2: $N_k > 25$) and based on a risk assessment taking into account the type of power supply to the building (article 443.3.2.2)

According to article 443.3.2.2, SPDs (type 2) are also required in the following cases:

- Commercial/industrial buildings, public services, religious buildings, schools, large residential complexes, etc.
- Hospitals and buildings containing medical equipment and/or security systems for people and property (fire alarms, technical alarms, etc)

1.3.2 Legrand recommendations

To ensure correct protection, an SPD is recommended:

- at the origin of each installation (compulsory depending on the type and location of the installation to be protected)
- at secondary distribution board feeding sensitive equipment
- on all outdoor electrical circuit outgoing lines (power supply for secondary buildings, outdoor lighting or outdoor distribution boards, etc).

It is advisable to install an SPD when the safety of people may depend on the continuity of service of equipment (even if this is not required by national standards). Although not compulsory according to the installation standards, an SPD should always be installed for communication networks to protect the communication equipment when there is an SPD on the low voltage power network.

To define the type of SPD needed according to the installation level of risk, use the selection chart (see catalogue) or our XL PRO³ and XL PRO³ Calcul software.

1.3.3 EN 62305 (IEC 62305)

An external lightning protection system (LPS) protects buildings against direct lightning strikes. It is generally based on the use of lightning conductors (single rods, with ESE, meshed cage, etc.) and/or the metal structure of the building. If there is an LPS or a lightning risk assessment has been carried out in accordance with standards EN/IEC 62305, SPDs are generally required in the main distribution board (T1 SPDs) and distribution boards (T2 SPDs).

Determination of SPDs in the main distribution board according to EN/IEC 62305 and TS/IEC 61643-12 (if there is insufficient information available):

Buildings with an external LPS

LPL ⁽¹⁾ : Lightning protection level	LPS total lightning current	Min. value of the SPD Iimp current (T1)	Usage practices
I	200 kA	25 kA/pole (IT: 35 kA min.)	Power installations
II	150 kA	18.5 kA/pole	Rarely used
III/IV	100 kA	12.5 kA/pole	Small installations

(1): LPL (Lightning Protection Level)

Note:
According to standards EN/IEC 62305, T1 SPDs may also be required if there is a risk of direct impact on power lines (EN/IEC 62305-1 table E.2). However, according to standard EN 62305-4 (appendix C.2.2), this is only the case if a risk of direct impact on the last 50 m of the line really exists and if this risk really has to be taken into account.

Risk assessment according to EN/IEC 62305

The risk assessment aims to evaluate if protective measures are needed. It defines their type and the level of needs to protect a building against lightning impacts (lightning protection of the building with an external LPS) and to protect equipment against impacts on the power or data lines, and against transient overvoltages due to lightning impacts on the LPS or close to the building.

To evaluate if protective measures are needed, it takes into account the following criteria :

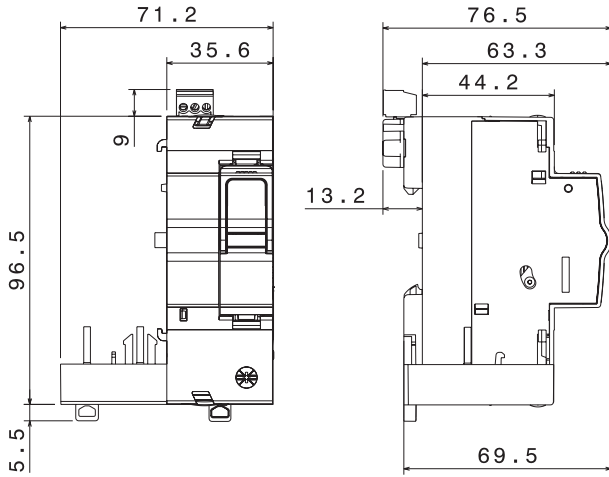
- dimensions and type of construction of the building, type and level of use, type and number of lines entering the building, surrounding environment and local lightning density, number of persons usually present, etc...
- possible origins of the threats (S1: impacts on the building, S2: impacts close to the building, S3: impacts on the lines, S4: impacts close to the lines)
- possible losses or damages (L1: human safety, L2: public services, L3: cultural heritage and L4: economic value)
- and the level of acceptable risks depending on the type of building and its final use.

When the calculated risk is too high (higher than the acceptable level), protective measures must be implemented (LPS, SPDs, earthings, ...) and adapted to the level of needs. This level of needs is expressed in terms of LPL (Lightning Protection Level) with values ranging from I to IV, a LPL of I being the highest level of needs corresponding to a lightning current discharge of 200kA on the SPF and to SPDs of 100kA (25kA/pole for 4P SPDs) to be installed at the main board. LPL : see table above.

2. DIMENSIONS

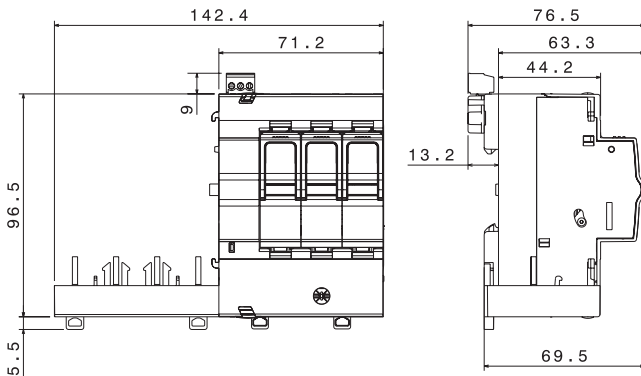
■ **2.1 Add-on SPDs for single phase power lines**

Cat. Nos 4 122 60/62/64/66



■ **2.2 Add-on SPDs for three phase + neutral power lines**

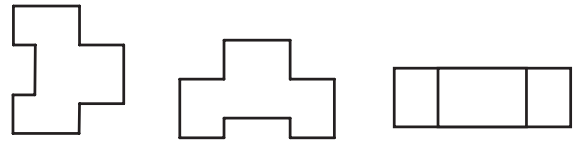
Cat. Nos 4 122 61/63/65/67



3. TECHNICAL CHARACTERISTICS

■ **3.1 Operating positions**

Vertical, horizontal or on its side



Fixed on EN 60715 or DIN 35 rail

■ **3.2 Enclosure materials**

Base:

- Fibreglass reinforced (10%) polycarbonate (PC)
- Self-extinguishing: 850°/30 s
- Colour: RAL 7035 light grey

Plug-in module:

- Fibreglass reinforced (30%) polybutylene terephthalate (PBT)
- Self-extinguishing: 960°/30 s
- Colour: RAL 7035 light grey

■ **3.3 Metal component materials**

Cage terminals, with detachable and captive screws, Base terminals : zinc-plated steel

Terminal screws: zinc-plated steel

Base contacts : tinned copper, tinned bronze.

Plug-in module contacts: tinned bronze, nickel-plated bronze

■ **3.4 Resistance to shock and vibrations**

Sinusoidal vibrations

- In accordance with IEC 60721-3-3
- Frequency range: 1 to 150 Hz
- Duration: 10 cycles
- Displacement : 3.5 mm
- Acceleration: 1 g where $g = 9.81 \text{ m/s}^2$

Shock

- In accordance with IEC 60721-3-3
- Acceleration: 15 g where $g = 9.81 \text{ m/s}^2$

■ 3.5 Operating characteristics

3.5.1 General characteristics

Cat. Nos.		4 122 60/62	4 122 61/63	4 122 64/66	4 122 65/67
Number of poles		1P+N	3P+N	1P+N	3P+N
Type of SPD		T2/20 kA	T2/20 kA	T2/40 kA	T2/40 kA
Mains supply		230 V~	230/400 V~	230 V~	230/400 V~
Maximum supply fluctuation		+10%			
Frequency		50/60 Hz			
Earthing system		TT, TNS			
Protection modes		L-N/N-PE/L-PE			
Max. continuous operating voltage (Uc)	L-N	320 V~			
	N-PE	255 V~			
	L-PE	320 V~			
Nominal current In (8/20)	L-N	5 kA	5 kA	20 kA	20 kA
	N-PE	20 kA	20 kA	20 kA	20 kA
	L-PE	5 kA	5 kA	20 kA	20 kA
I _{max} (onde 8/20)	L-N/N-PE/L-PE	20 kA	20 kA	40 kA	40 kA
Total discharge current (L+N)/PE (I _{total} , 8/20)		40 kA	60 kA	60 kA	60 kA
Protection level (Up) at In	L-N	1,2 kV	1,2 kV	1,7 kV	1,7 kV
	N-PE	1,4 kV	1,4 kV	1,4 kV	1,4 kV
	L-PE	1,4 kV	1,4 kV	2 kV	2 kV
Protection level (Up) at 5 kA	L-N	1,2 kV	1,2 kV	1 kV	1 kV
	N-PE	1,4 kV	1,4 kV	1,4 kV	1,4 kV
	L-PE	1,4 kV	1,4 kV	1,1 kV	1,1 kV
Residual voltage at 10 kA	L-N	1,4 kV	1,4 kV	1,2 kV	1,2 kV
	N-PE	1,4 kV	1,4 kV	1,4 kV	1,4 kV
	L-PE	1,4 kV	1,4 kV	1,4 kV	1,4 kV
Residual voltage at 15 kA	L-N			1,5 kV	1,5 kV
	N-PE			1,4 kV	1,4 kV
	L-PE			1,6 kV	1,6 kV
Temporary overvoltages (LV supply faults)		L-N: 336 V/5 s (withstand mode) L-PE: 440 V/5 s (withstand mode) L-N: 440 V/2 hrs (failure mode)			
Temporary overvoltages (HV supply faults)		1200 V (withstand mode)			
Protective device to be used Circuit breaker DX ³ - Curve C - 1 module/pole		C20 recommended (C10 - - - C40 : OK)		C25 recommended (C10 - - - C63 : OK)	
Short-circuit current withstand (I _{sc} , I _{sc})		25 kA			
Follow current (I _{fi})		N-PE = 100 A			
Residual current at U _c (I _{pe})		0 A			
Response time		L/N : 25ns N/PE : 100ns			
Terminal capacity: solid or flexible wire Terminal capacity: flexible wire with ferrule		6/35mm ² 6/25mm ²			
Auxiliary contact for remote monitoring of SPD status		250 V~ - 1A - 1.5 mm ² max			
Pollution level		2			
Number of ports		1			
Location category		Indoors			
Installation method		Permanent			
Width (number of modules)		4	8	4	8
Protection index		IP 20 / IK04			
Operating temperature		-25°C à +70°C			
Storage temperature		-40°C à +70°C			
Hygrometric index		5 % / 95 %			

3.5.2 Overcurrent Protective devices used with SPDs

	①	230/400 V~ ; 50/60 Hz TT / TNS	IT	Ø : (X, Z)	SPD	①
T2/40 kA		C25 (C10 --- C63 A)		≥ 10 mm ²	1P+N	2P ou 1P+N
T2/20 kA		C20 (C10 --- C40 A)		≥ 6 mm ²	3P+N	4P ou 3P+N



4. CONFORMITY

Conforming to standards EN 61643-11:2012 and IEC 61643-11 edition 1: 2011.

These SPDs ensure compliance with the installation obligations and recommendations of standards NF C 15-100 (HD/IEC 60364) part 534, standards IEC/EN 62305 and guide UTE C 15-443 (TS/IEC 61643-12).

Conforming to directives 73/23/EC + 93/68/EC.

5. INSTALLATION

■ 5.1 General principle

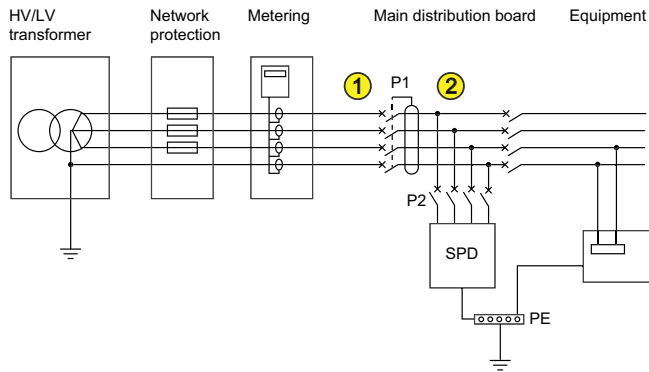
Surge protective devices must not be installed in locations where there is a risk of fire or explosion without special provisions. They must be disconnected before checking the insulation resistance of the installation.

■ 5.2 Types of SPD and earthing systems

Residual current devices and continuity of service: if the main distribution board protective device located upstream of the SPD includes a residual current device, this must be type S or delayed at the installation source (residual current device immunised against overvoltages up to 5 kA in accordance with standard NF C 15-100 and 3 kA in accordance with standard HD/IEC 60364). Also recommended for secondary distribution boards.

When possible (according to local rules), the SPD and its associated protective device should be installed upstream of the main protective device as shown below (in accordance with standards HD/IEC 60364).

SPDs and TT earthing system

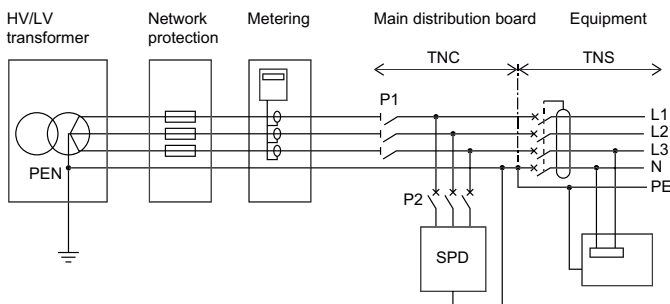


P1: main protective device of the installation
 P2: protective device used with the SPD (see 3.5.2)
 SPD: surge protective device with U_c 275 or 320 V recommended

① (upstream of P1): SPDs 1P+N/3P+N only (except for Cat. Nos. 0 039 51/53/71/73).

② (downstream of P1): any SPD

SPDs and TN (TNC, TNS and TNC-S) earthing systems



P1: main protective device of the installation
 P2: protective device used with the SPD (see 3.5.2)
 SPD: surge protective device with U_c 275 or 320 V recommended

■ 5.3 Connections

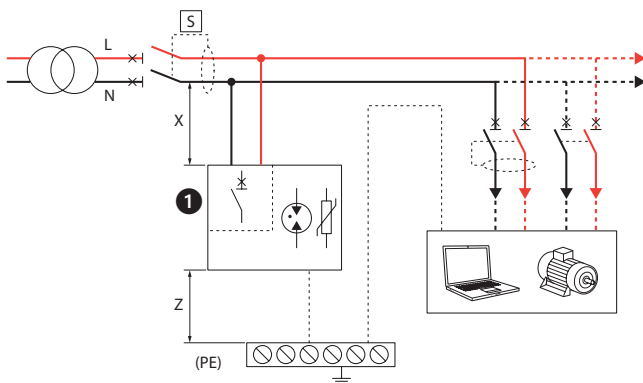
Check that the earth connection to which the exposed conductive parts of the installation are connected complies with standard NF C 15-100 (HD/IEC 60364).

SPD connected to the mains supply and to the protective conductor (PE) using as short a connection as possible, $X+Y+Z \leq 50$ cm.

Compulsory connection of the earth terminal on the surge protective device to the protective conductor (PE) on the distribution board.

Equipotentiality rules: interconnection of the exposed conductive parts of the equipment and the protective conductor (PE) on the distribution board, which is itself connected to the earth terminal of the surge protective device.

Electromagnetic compatibility rules: avoid loops, fix the cables firmly against the exposed metal conductive parts.



1 Protective device used with the SPD (see 3.5.2)

Recommended connection cross-sections and lengths to be stripped:

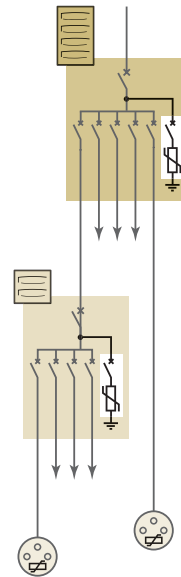
	6 - 35 mm ²
	6 - 35 mm ² 6 - 25 mm ² (with ferrule)

Tools required and tightening torque

- Flat blade screwdriver Ø 4 to 6.5 mm
- Crosshead screwdriver Ø 4 to 6.5 mm, Pozidriv PZ2 recess
- Min. torque: 2.5 Nm
- Max. torque: 3 Nm

■ 5.4 Cascaded SPDs

Effective protection against overvoltages cannot generally be assured with a single SPD if its protection level (U_p) is greater than 1.2 kV (EN/IEC 62305 and TS/IEC 61643-12).



When there are overvoltages, an SPD protects equipment by limiting these overvoltages to values that can be tolerated by the equipment. Thus, depending on its discharge capacity (discharge current I_n , I_{max} , etc.) and its protection level (U_p), an SPD will limit these overvoltages to varying values depending on the energy levels involved. The overvoltage values likely to be transmitted downstream of the SPD can double over distances of more than 10 m due to resonances associated with the type of electrical installation and the type of equipment.

Overvoltages greater than 2.5 kV can then occur and damage equipment if the residual energy is high enough (2.5 kV being the insulation level of most electrical and electronic equipment, or even 1.5 kV for electrical domestic appliances). SPDs should be installed in the distribution boards supplying equipment that is sensitive or critical for the activity being carried out (and/or near to equipment with proximity SPDs).

■ 5.5 Coordinating upstream/downstream SPDs

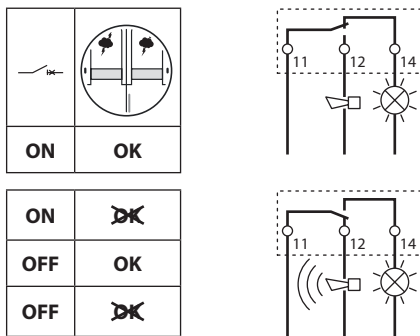
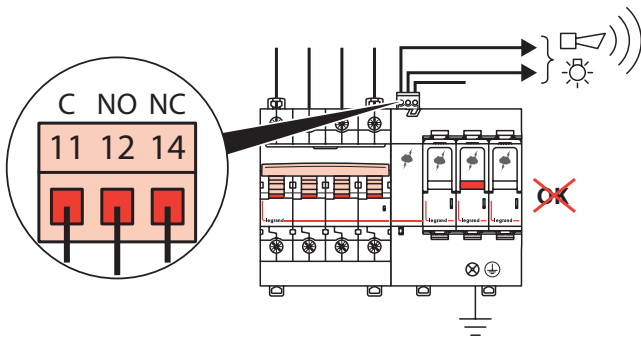
Consists of ensuring that any downstream SPD (in distribution enclosures or proximity SPDs) is correctly coordinated in energy terms with any SPD located upstream (TS 61643-12).

Minimum distances between SPDs

Upstream SPD	Downstream SPD	Min. distance (m)
T1/50 and T1/25	T2/40	10
T1/12.5 and T1/8	T2/40	6
	T2/20, T2/12	8
T2/40	T2/20	4
	T2/12	6
T2/20 and T2/12	Proximity SPD	2

6. ACCESSORIES

■ 6.1 Signalling auxiliary



■ 6.2 Replacement plug-in modules with LED indicator

- Green: SPD operational
- Orange: plug-in module needs to be replaced

Module Cat. Nos.	Type	SPD Cat. Nos.
4 122 97	T2/20 kA	4 122 60/61/62/63
4 122 99	T2/40 kA	4 122 64/65/66/67