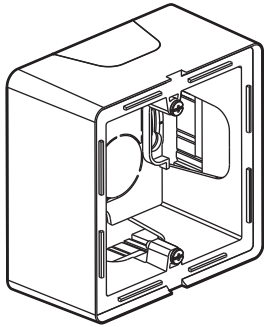
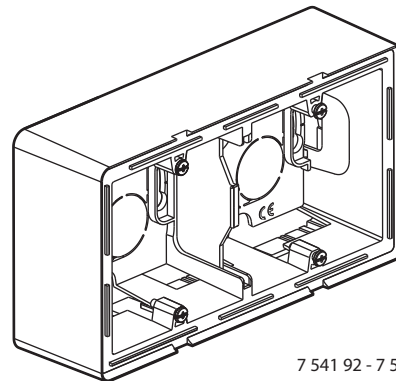


Valena™ Life Surface mounting boxes

Catalogue number(s): 7 541 91/92 - 7 542 01/02/11/12



7 541 91 - 7 542 01/11



7 541 92 - 7 542 02/12

1. USE

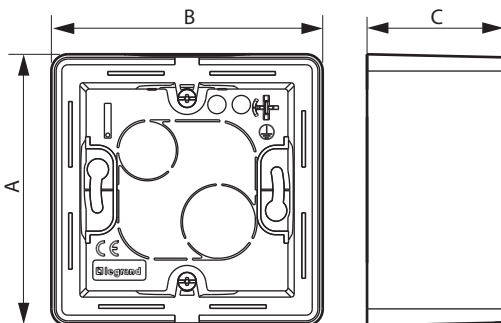
Horizontal or vertical mounting.
 Entry for installation on 20 x 15.5 mm, 32 x 12.5 mm, 40 x 20 mm mini trunking and Ø 20 mm conduit.
 Boxes receive composable mechanisms.

2. RANGE

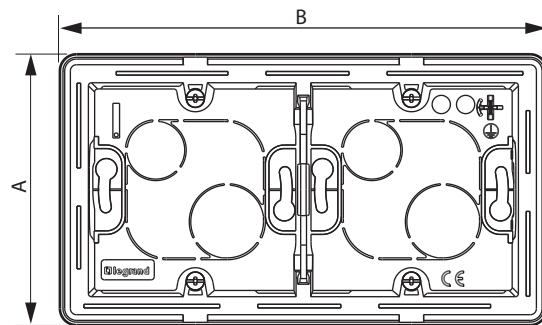
Description	White	Ivory	Aluminium
Surface mounting boxe 1-gang	7 541 91	7 542 01	7 542 11
Surface mounting boxe* 2-gang	7 541 92	7 542 02	7 542 12

* 2-gang boxe supplied with divider for low and high current.

3. OVERALL DIMENSIONS (mm)



3. OVERALL DIMENSIONS (mm) (continued)



	A	B	C
1-gang	89	89	44.8
2-gang	89	160	44.8

4. MATERIAL CHARACTERISTICS

Material: ABS
 Divider: PC
 Colours: White RAL 903
 Ivory: RAL 113
 Aluminium
 UV resistant
 Halogen free
 Self-extinguishing: 650°C / 30 s