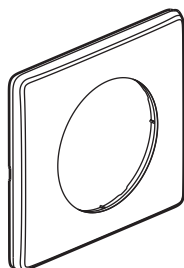
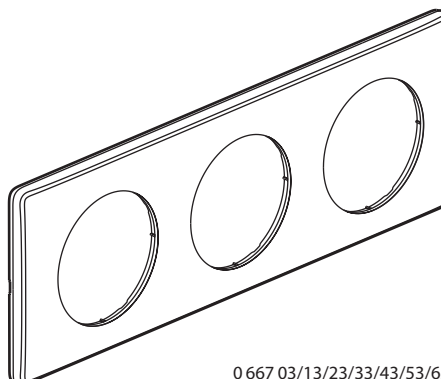


# Céliane™ Finishing plates Poudré

Cat. No(s): 0 667 01/02/03/04/05/06/08/09/11/12/13/14/15/16/18/19  
 0 667 21/22/23/24/25/26/28/29/31/32/33/34/35/36/38/39  
 0 667 40/41/42/43/44/45/46/48/49/51/52/53/54/61/62/63/64



0 667 01/11/21/31/40/41/51/61



0 667 03/13/23/33/43/53/63

## 1. USE

Faceplates for 1-gang to 4-gang wiring accessories.  
 Horizontal or vertical mounting.

## 2. RANGE

### Plates 1 gang

	Craie	0 667 01
	Argile	0 667 11
	Grès	0 667 21
	Schiste	0 667 31
	Eclipse	0 667 40
	Basalte	0 667 41
	Bordeaux	0 667 51
Vieux Rose	0 667 61	

### Plates 2 gang - 71 mm spacing

	Craie	0 667 02
	Argile	0 667 12
	Grès	0 667 22
	Schiste	0 667 32
	Basalte	0 667 42
	Bordeaux	0 667 52
	Vieux Rose	0 667 62

### Plates 2 gang - 57 mm spacing

	Craie	0 667 08
	Argile	0 667 18
	Grès	0 667 28
	Schiste	0 667 38
	Basalte	0 667 48

### Extended plates 2 gang (4/5 modules)

	Craie	0 667 05
	Argile	0 667 15
	Grès	0 667 25
	Schiste	0 667 35
	Basalte	0 667 45

### Plates 3 gang - 71 mm spacing

	Craie	0 667 03
	Argile	0 667 13
	Grès	0 667 23
	Schiste	0 667 33
	Basalte	0 667 43
	Bordeaux	0 667 53
	Vieux Rose	0 667 63

## 2. RANGE (continued)

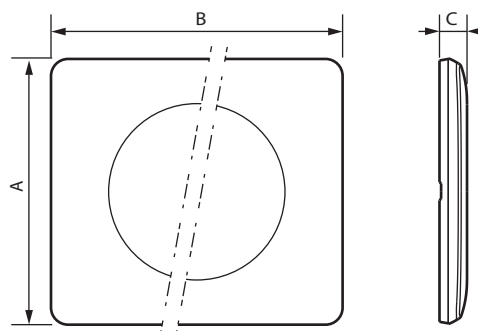
### Extended plates 3 gang (6/8 modules)

	Craie	0 667 06
	Argile	0 667 16
	Grès	0 667 26
	Schiste	0 667 36
	Basalte	0 667 46

### Plate 4 gang - 71 mm spacing

	Craie	0 667 04
	Argile	0 667 14
	Grès	0 667 24
	Schiste	0 667 34
	Basalte	0 667 44
	Bordeaux	0 667 54
	Vieux Rose	0 667 64

## 3. DIMENSIONS (mm)



References	A	B	C
0 667 01/11/21/31/40/41/51/61	82	90	8.5
0 667 02/12/22/32/42/52/62	82	161	8.5
0 667 05/15/25/35/45	82	161	8.5
0 667 03/13/23/33/43/53/63	82	232	8.5
0 667 06/16/26/36/46	82	232	8.5
0 667 04/14/24/34/44/54/64	82	303	8.5
0 667 08/18/28/38/48	82	374	8.5
0 667 09/19/29/39/49	82	147	8.5

#### 4. TECHNICAL CHARACTERISTICS

##### ■ 4.1 Material characteristics

Polyglass appearance

Material: - PC + ABS  
- Halogen free  
- UV resistant

Self-extinguishing: 650° C / 30 s

##### ■ 4.2 Climatic characteristics

Storage temperature: - 10° C to + 70° C

Use temperature: - 5° C to + 50° C

#### 5. CLEANING

Clean the surface with a cloth.

Do not use acetone, tar-removing cleaning agents or trichloroethylene.

Resistance to the following products: Hexane (EN 60669-1), Methylated spirits, Soapy water, Diluted ammonia, Diluted pure bleach 10%, Glass cleaning product, Pre-impregnated wipes.

**Caution:** A preliminary test should be carried out if other specific cleaning products are to be used.

#### 6. SPECIAL USE

The plates must not be painted.