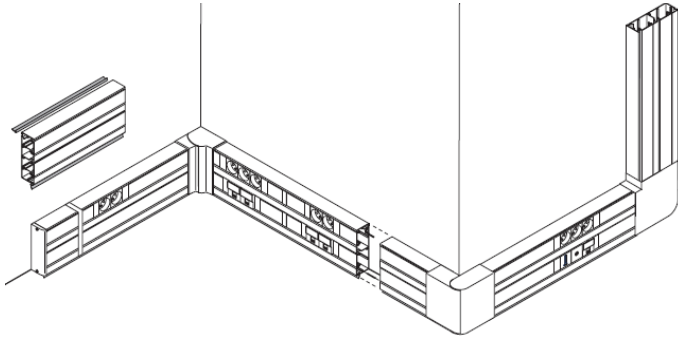


Snap-on Aluminium trunking.

Number(s) : 6 038 11/13/17/19/22/24/28/30/34/36/40/42,
6 038 57/58/59, 6 373 58, 0 111 88



CONTENTS	PAGES
1.Range	1 to 2
2.Finishing accessories	3 to 5
3.Complementary accessories	6
4.Technical characteristics	7
5.Material characteristics	7

1 RANGE.

The system of distribution DLP Snap-on aluminium trunking 6060-T5 anodic natural offers:

- the distribution, the protection and the derivation of the various cables in an electrical installation.
- trunkings, finishing accessories (end, joint of lid, joint of body, interior angle, exterior angle, flat angle, derivation)
- all the easy ways/advantages for the installation.
- to comply with the norm EN 50085-2-1, safety and technical performance.
- a flexibility with the installation and maintenance:

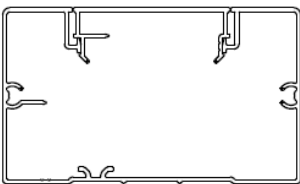
Direct Clipping with all the functions of the Mosaic Program (and also the sockets of the market) = by associating the accessory of installation (Normaclip)

This new trunking will allow the universal direct clips of all the mechanisms 45x45 of the market

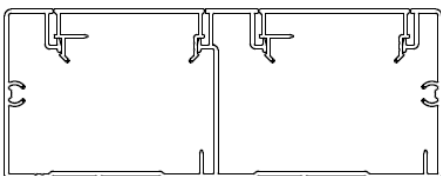
2 new references of trunkings delivered without covers

1.1 Snap-on trunking ref 6 380 11/13

85x50 (1 compartment)



130x50 (2 compartments)



1 RANGE (continued)

1.1 Snap-on trunking ref (continued)

Trunking (body only)	Sections	Packaging
6 038 11	85x50	24m
6 038 13	130x50	12m

The IP40 is maintained everywhere thanks to the quality of the trunkings and accessories.

The fitter doesn't have to deal with the quality of the cut to the function of soluclip which hides any defect.

The Normaclip that provides the function of anti-pullout makes it possible not to be intervened on the building site for problems of bad installation of equipment in the trunking.

The safety of the installation is it also increased by this function by eliminating the possibilities from pullout of a socket by an end user (while strongly drawing on a cord or while stumbling feet in the cords)

The function the anti-slip: the fitters will appreciate not to note an inopportune displacement of the equipment at the time of the various phases of installation (poses, wiring, road repair, closing of the covers) being able to involve errors of site of equipment or disconnection.

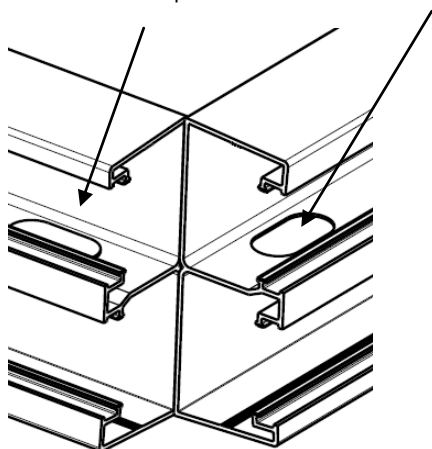
Snap-on Aluminium trunking.

Number(s) : 6 038 11/13/17/19/22/24/28/30/34/36/40/42,
6 038 57/58/59, 6 373 58, 0 111 88

1 RANGE (continued)

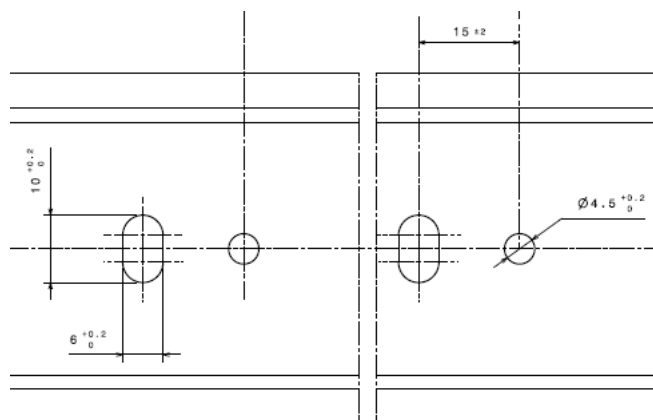
1.1 Snap-on trunking ref (continued)

Specifications holes of partition: facilitate the passage of the cables between two compartments.



Funds of the bodies provided with holes for fixing, facilitating the upgrade of the trunking (balance/slope)

Dimensions of holes in funds of the bodies:



1.2. Covers ref 6 038 17 :



Delivered in length of 2m
Color natural anodized aluminium.

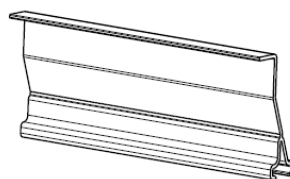
Assembly body-lid by clipsage, disassembling with a tool

Dimensions of cover :

Cover	Sections	Packaging
6 038 17	45mm	24m

1 RANGE (continued)

1.3 Separation partition ref 6 373 58

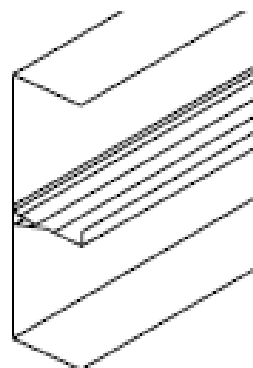


Delivered in length of 2m
White Color.

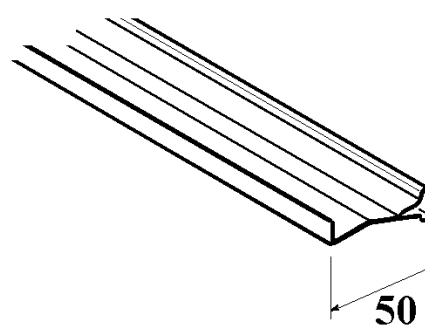
For the separation of various types of currents allows (sector, telephone, data processing...)
Assembly with the body by clipsage.

Pack by

Use only on Snap-on trunking 85x50

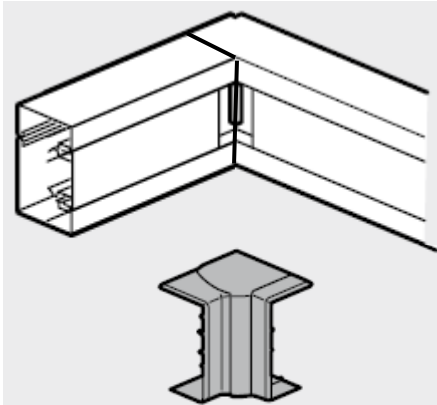


Dimensions in mm :



2. FINISHING ACCESSORIES

2.1 Internal angle ref 6 038 22/24.

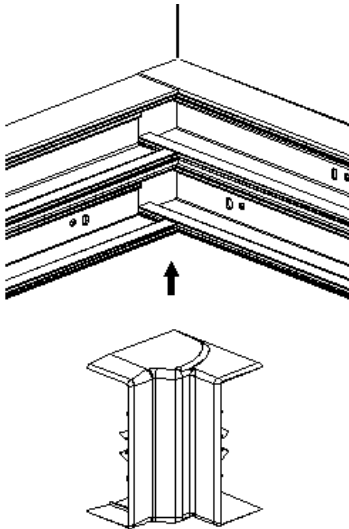


Plastic ABS, painted in grey aluminium.

The junction in interior angle of two pieces of the same section:
- avoid the cut of miter on the trunking
- respect of the degree protection
- aesthetics improves (covering of the cut and not or little extra thickness)
Assembly on the body by clipsage.

Variable internal angles of 80 with 120°.

The internal angles are delivered with 2 elements.



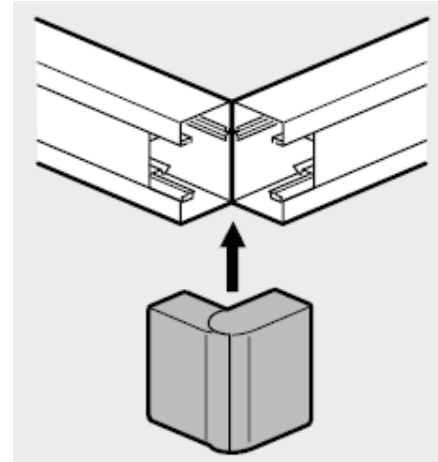
Position of trunking before clip the accessory

Table of choice of the interior angles:

Internal angle	Sections	Packaging
6 038 22	85x50	10
6 038 24	130x50	8

2. FINISHING ACCESSORIES (continued)

2.2 External angle ref 6 038 28/30.

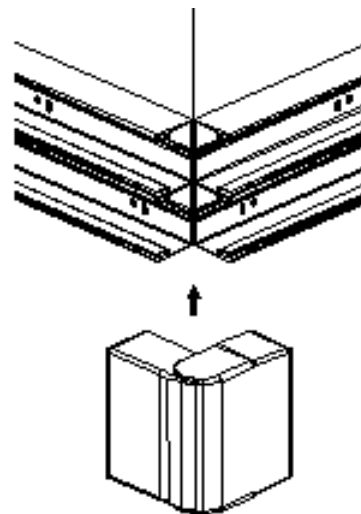


Plastic ABS, painted in grey aluminium.

The junction in exterior angle of two pieces of the same section:
- avoid the cut of miter on the trunking
- respect of the degree protection
- aesthetics improves (covering of the cut and not or little extra thickness)
Assembly on the body by clipsage.

Variable internal angles of 60 with 120°.

The internal angles are delivered with 2 elements.



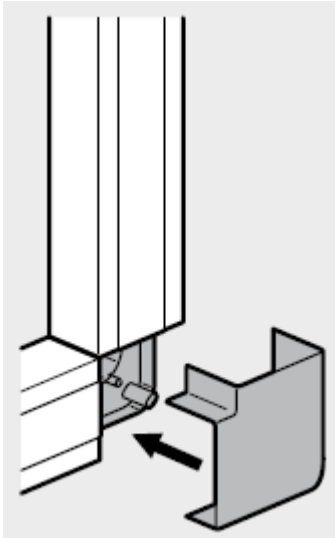
Position of trunking before clip the accessory

Table of choice of the exterior angles:

External angle	Sections	Packaging
6 038 28	85x50	10
6 038 30	130x50	8

2. FINISHING ACCESSORIES (continued)

2.3 Flat angle ref 6 038 34/36.

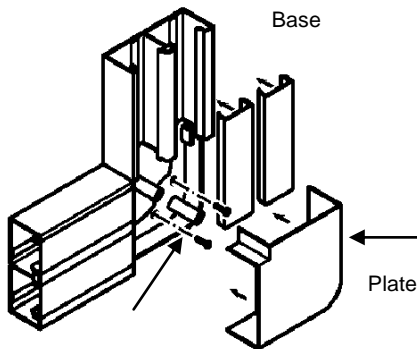


Plastic ABS, painted in grey aluminium.

The junction in flat angle of two pieces of the same section:
 - avoid the cut of miter on the trunking
 - respect of the degree protection
 - aesthetics improves (covering of the cut and not or little extra thickness)
 Assembly on the body by clipsage.

Angles not variable (fix to 90°)

The internal angles are delivered with 2 elements.



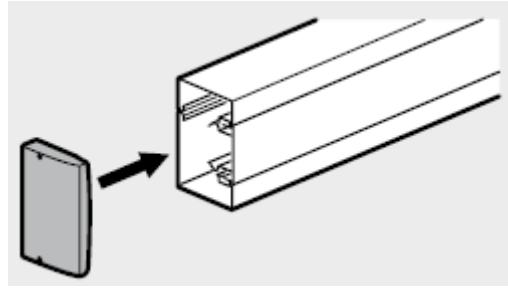
Position of trunking before clip the accessory

Table of choice of the flat angles:

Flat angle	Sections	Packaging
6 038 34	85x50	10
6 038 36	130x50	4

2. FINISHING ACCESSORIES (continued)

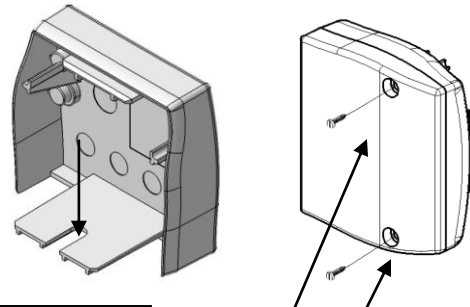
2.4. End cap ref 6 038 40/42.



Plastic ABS, painted in grey aluminium.

Allows to block the end of the body:
 - respect of the degree protection
 - improvement of aesthetics (covering of the cut on the trunking to 10mm)
 Assembly on the body by fitment and screwing.

To fix by screws :



On the funds

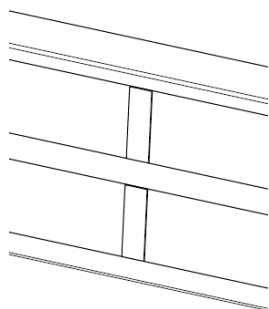
With the holes on end-cap

Table of choice of the end-cap:

End cap	Sections	Packaging
6 038 40	85x50	10
6 038 42	130x50	10

2. FINISHING ACCESSORIES (continued)

2.5 Cover joint ref 6 038 19.

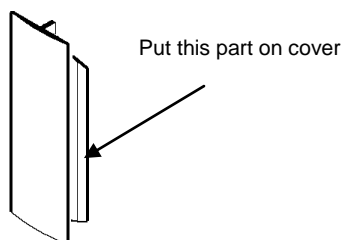


Plastic ABS, painted in grey aluminium.

Allows:

- the junction end to end of two covers
- respect of the degree protection
- to improve aesthetics (covering of the cut)

Assembly of the joint by clipsage



Le joint de couvercle se glisse et se positionne sur l'extrémité d'un couvercle, l'autre côté reste disponible pour réouverture

Table of choice of cover joint:

Cover joint	For cover	Packaging
6 038 19	45mm	10

2. FINISHING ACCESSORIES (continued)

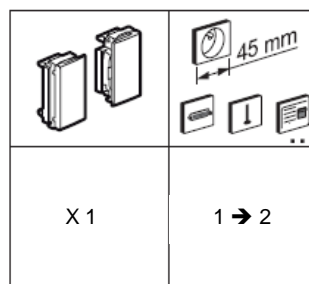
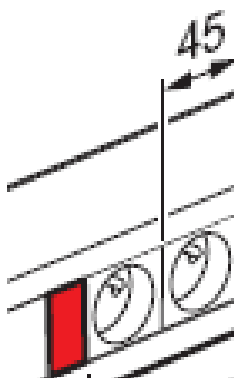
2.6 Normaclip ref. 6 038 57/58.

Accessory for fixing wiring devices inside the snap-on trunking.

Allows:

- anti-slip
- anti-pullout
- perfect finish
- respect of the degree protection (IP4X)

Concerning the number max of Mosaic modules can be use between 2 Normaclip, please respect the installation below (as 1 pair for 4 modules max, 2 pairs for 8 modules etc...)



Ref 6 038 57 White color

Ref 6 038 58 Aluminium color

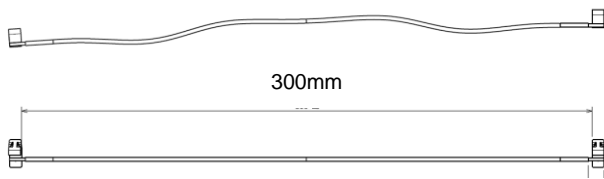
Pack by 10 (10 set of 2)

Snap-on Aluminium trunking.

Number(s) : 6 038 11/13/17/19/22/24/28/30/34/36/40/42,
6 038 57/58/59, 6 373 58, 0 111 88

3. COMPLEMENTARY ACCESSORIES (continued)

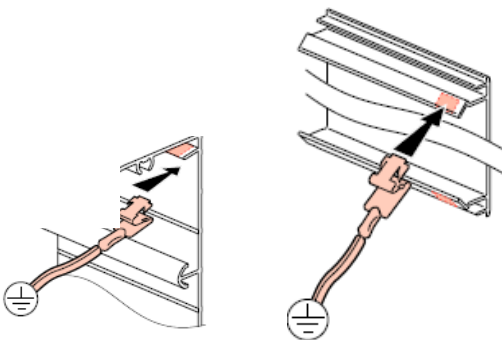
3.1 Earth link ref.0 111 88



Earthing allows of the elements of the Snap-on Aluminium trunking

with trunking

with cover



Pack by 10

3. COMPLEMENTARY ACCESSORIES (continued)

3.2 Coupling pin ref 6 038 59 :



Allows :

- Used to join 2 bodies and simplifies fixing sections to the wall

Pack by 100

4. TECHNICAL CHARACTERISTICS (continued)

Wiring capacity of Aluminium Snap-on trunking:

Snap-on Trunking	Section mm ²	Capacity	Diameter max	3x1,5 mm ²	3x2,5 mm ²	UTP & FTP CAT.6
85x50 Ref 6 038 11	2940	Max	36	26	19	58
	2092	with 2P+E sockets		18	13	41
	2618	with RJ 45 socket		23	17	52
130x50 Ref 6 038 13 2 compartments	2646	Max	36	23	17	52
	1256	with 2P+E sockets		11	8	25
	1762	with RJ 45 socket		15	11	35
	2616	Max	36	23	17	52
	1206	with 2P+E sockets		10	7	24
	1732	with RJ 45 socket		15	11	34

Classification of Aluminium Snap-on trunking EN 50085-2-1

6.2 Resistance to impact for installation and application	2.0J
6.3 Minimum storage and transport temperature	- 25°C
6.3 Minimum installation and application temperature	+ 15°C
6.3 Maximum application temperature	+ 60°C
6.4 Resistance to flame propagation	Non-flame propagating
6.5 Electrical continuity characteristic	Without electrical continuity characteristic
6.6 Electrical insulating characteristic	With electrical insulating characteristic
6.7 Degrees of protection provided by enclosure	IP40
6.9 The system access cover retention	With a tool
6.101 The position when surface mounted	Wall fixed Ceiling fixed
6.102 The functions provided	Type 1
Protection against mechanical shocks	IK 07

Impédance = 5 mOhm/m

Compositions and functions for Aluminium Snap-on trunking (1 system/line)

Goulottes Logix Universel Aluminium			Embout
Corps+couvercles	references	Section (mm ²)	
85x50	6 038 11	3355	6 038 40
130x50	6 038 13	5479	6 038 42

5. MATERIAL CHARACTERISTICS.

Trunking/cover => aluminium 6060-T5 anodic natural, conform to the Directive RoHS*
Accessories => ABS painted in grey aluminium conform to the Directive RoHS*

*RoHS designation :

Restriction of the use of certain Hazardous Substances, RoHS in the Equipements Electriques and Electroniques (EEE)