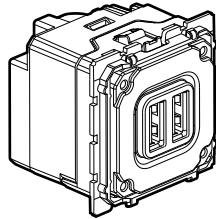
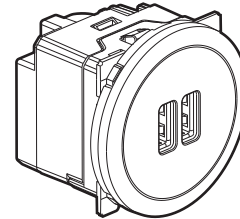


# Céliane™ USB universal charger - 2.4 A

Cat. no(s): 0 674 62 - 0 677 15/16



0 674 62



0 677 15

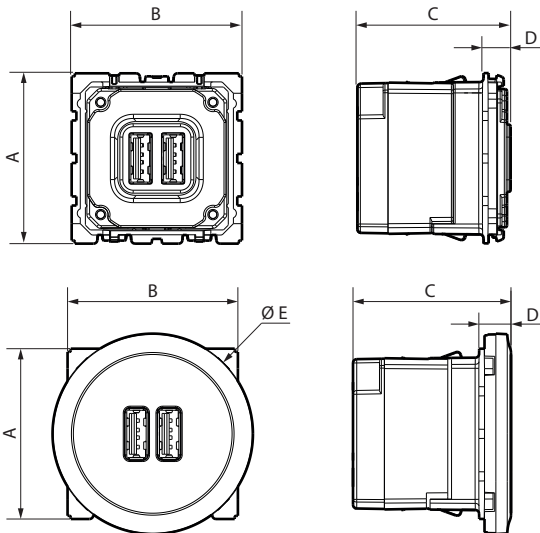
## 1. USE

For recharging portable devices such as phones, smartphones, tablets MP3 or MP4 players, loudspeakers, watches, game consoles, powerbanks.

## 2. RANGE

Description	Mechanism	White	Titanium
Double USB sockets - 5V $\pm$ - 2.4 A	0 674 62	0 677 15	0 677 16

## 3. OVERALL DIMENSIONS (mm)



	A	B	C	D	Ø E
0 674 62	45	45	40.5	7	-
0 677 15/16	45	45	41.5	8.5	53

## 4. CONNECTION

Type of terminals: with screws  
 Terminal capacity: 2 x 2.5 mm<sup>2</sup>  
 Stripping length: 6 mm  
 Screwdriver: flat 3.5 mm

## 5. TECHNICAL CHARACTERISTICS

### ■ 5.1 Mechanical characteristics

Impact tests: IK 04  
 Penetration by solid bodies/liquid: IP 40

### ■ 5.2 Material characteristics

Base: PC  
 Cover-plate: PC

### Self-extinguishing:

- + 850° C / 30 s for insulating parts holding live parts in place.
- + 650° C / 30 s for other parts made of insulating materials.

### ■ 5.3 Climatic characteristics

Storage temperature: - 20° C to + 70° C  
 Operating temperature: 0° C to + 45° C

### ■ 5.4 Electrical characteristics

All values listed below are measured at an ambient temperature of + 25° and after 15 minutes of operation.

Nominal input voltage	100 - 240 V~
Nominal input frequency	50-60 Hz
Maximum input current	300 mA
Maximum power consumption in standby	0.1 W
Power average efficiency	81 %
Nominal output voltage	5 V $\pm$
Maximum output current	2.4 A
No-load power consumption class and average efficiency level: level VI*	
Safety-standard	EN60950-1
Protection class	II - Low voltage

\*NB: European Regulation No. 278/2009 of 6 April 2009, Directive 2005/32/EC on eco-design requirements for AC/DC power supplies

### ■ 5.5 Average charging time for devices equipped with lithium ion polymer batteries:

- 80 % charged < 1 h 15
- 100 % charged < 2 h 00

## 5. TECHNICAL CHARACTERISTICS *(continued)*

### ■ 5.6 Charge time for a smartphone connected to the USB universal charger 2.4 A:

Manufacturer brand	Smartphone model	Charge time to 100 %
Samsung	Galaxy S6	1 h 43
Nokia	Lumia 735	2 h 11
Nokia	Lumia 930	2 h 11
Google	Nexus 6	3 h 02
Google	Nexus 7	2 h 58

*\*Data valid as at 1 March 2016.*

**Note:** To optimize the charging time of your device, ensure turn it off during the charging phase.

## 6. CLEANING

Surface cleaning with a cloth.  
Do not use: acetone, tar remover, trichlorethylene.

**Caution:** A preliminary test should be carried out if specific cleaning products are to be used.

## 7. STANDARDS AND APPROVALS

Compliance with installation and manufacturing standards.  
Refer to e-catalogue.