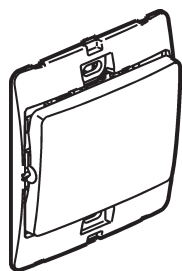


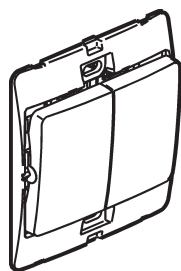
# Mallia™

## 20 AX switches SP dressable colour

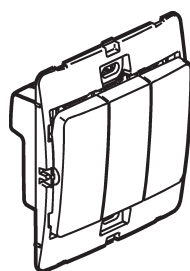
Cat. No(s): 2 830 50/51/52/53/54/55/69  
 2 832 50/51/52/53/54/55/69  
 2 834 50/51/52/53/54/55/69



2 830 50/51/69  
 2 832 50/51/69  
 2 834 50/51/69



2 830 52/53  
 2 832 52/53  
 2 834 52/53



2 830 54/55  
 2 832 54/55  
 2 834 54/55

### CONTENTS

### Pages

1. Use .....	1
2. Range .....	1
3. Preparation .....	2
4. Overall dimensions .....	2
5. Connection .....	2
6. Operation .....	2
7. Technical characteristics .....	3
8. Cleaning .....	3
9. Accessories .....	3

## 1. USE

General lighting control mechanisms with or without marking elements (label holder).

## 2. RANGE

	Designation	Finishes			Connection method	Weight (g)	Characteristics
		Silver	Pearl	Dark Silver			
	1 gang 1 way switch	2 830 50	2 832 50	2 834 50	with screws	49	20 AX - 250 VAC
	1 gang 2 way switch	2 830 51	2 832 51	2 834 51	with screws	53	20 AX - 250 VAC
	2 gang 1 way switch	2 830 52	2 832 52	2 834 52	with screws	68	20 AX - 250 VAC
	2 gang 2 way switch	2 830 53	2 832 53	2 834 53	with screws	78	20 AX - 250 VAC
	3 gang 1 way switch	2 830 54	2 832 54	2 834 54	with screws	87	20 AX - 250 VAC
	3 gang 2 way switch	2 830 55	2 832 55	2 834 55	with screws	103	20 AX - 250 VAC
	1 gang switch intermediate	2 830 69	2 832 69	2 834 69	with screws	100	20 AX - 250 VAC

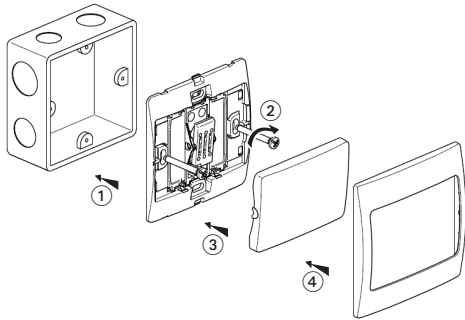
# Mallia™

## 20 AX switches SP dressable colour

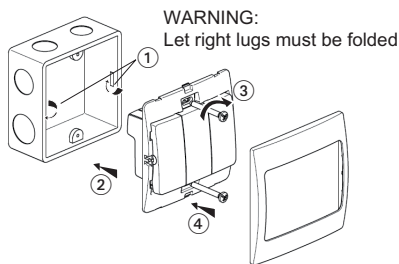
Cat. No(s): 2 830 50/51/52/53/54/55/69  
 2 832 50/51/52/53/54/55/69  
 2 834 50/51/52/53/54/55/69

### 3. PREPARATION

#### 3.1 General preparation (1G, 2G switches):



#### 3.2 Preparation with 3G switches:

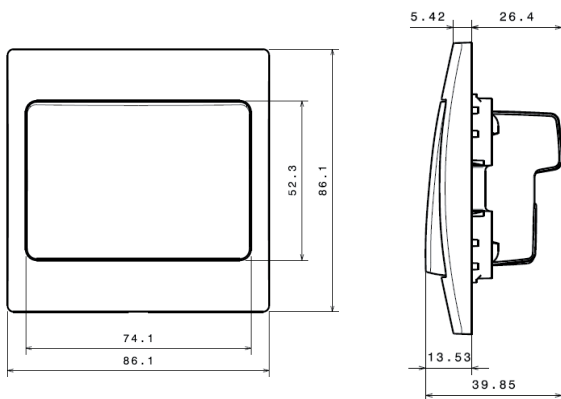


**WARNING:**  
Let right lugs must be folded

Plastic 4 lugs box



### 4. OVERALL DIMENSIONS



Profile size: 86 x 86 mm  
 Distance of installation hole: 60.3 mm

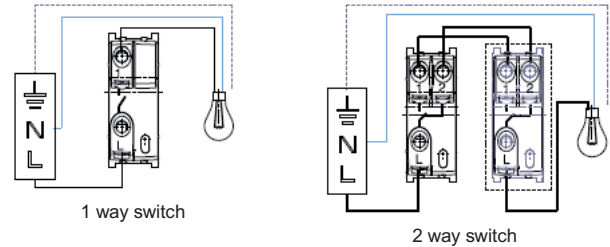
### 5. CONNECTION

#### 5.1 Terminals

Terminal capacity: 3 x 2.5 mm<sup>2</sup>  
 2 x 4.0 mm<sup>2</sup>  
 1 x 6.0 mm<sup>2</sup>

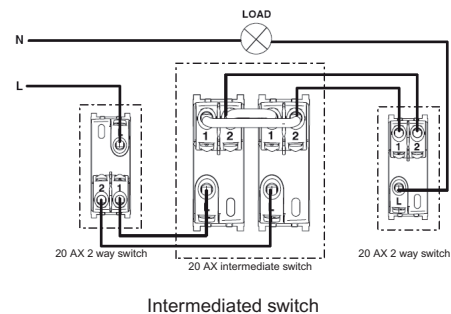
Recommended screwdriver size: 4 mm flat blade  
 Recommended terminal tightening torque: 0.5 Nm  
 Stripping: 12 mm

#### 5.2 Circuit diagrams



1 way switch

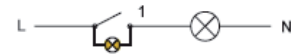
2 way switch



Intermediated switch

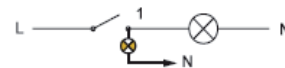
#### Wiring of LED\*:

##### 1. 1 way locator (green LED)

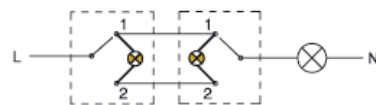


Warning! Don't use red LED with this connecting mode.

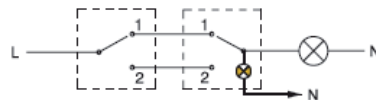
##### 2. 1 way indicator (red LED)



##### 3. 2 way locator (green LED)



##### 4. 2 way indicator (red LED)



\*Change rockers to rockers with lens from 10 A switches.

### 6. OPERATION

Switch mechanism (handling force 2 to 3 N).

# Mallia™

## 20 AX switches SP dressable colour

Cat. No(s): 2 830 50/51/52/53/54/55/69  
2 832 50/51/52/53/54/55/69  
2 834 50/51/52/53/54/55/69

### 7. TECHNICAL CHARACTERISTICS

#### 7.1 Mechanical characteristics

Impact tests: IK04

Protection against liquids: IP41

#### 7.2 Material characteristics

Rocker: Polycarbonate

Support: Polycarbonate

Base: Polypropylene

#### 7.3 Electrical characteristics

Self-extinguishing: 650°C / 30 s

Voltage: 250 V

Current: 20 AX

#### 7.4 Climatic characteristics

Storage temperatures: - 10°C to + 70°C

Operating temperatures: - 5°C to + 50°C

### 8. CLEANING

Surface cleaning with a soft, slightly damp cloth.

Do not use: acetone, tar remover, trichloroethylene.

Résistance to the following cleaning agents:

Hexane (EN 60669-1), Methylated spirits, Soapy water, Diluted ammonia, Diluted pure bleach 10 %, Glass cleaning substance, Pre-impregnated wipes.

**Caution:** A preliminary test should be carried out if other specific cleaning products are to be used.

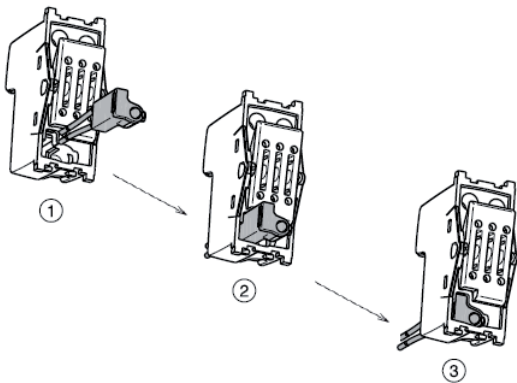
### 9. ACCESSORIES

#### 9.1 Lamps for locator or indicator light\*

**2 819 97:** LED 220 V~, green - low consumption / 0.05 mA

**2 819 98:** LED 220 V~, red - high luminosity / 1mA

#### Installation of LED:



#### 9.2 Transparent rocker with label holders

**2 818 95:** 1 gang



**2 818 96:** 2 gang



**2 818 97:** 3 gang

