

<b>SOMMAIRE</b>	<b>Page</b>
1. Description, use .....	1
2. Range .....	1
3. Overall Dimensions .....	1
4. General aracteristics .....	1
5. Setting in situation.....	2
6. Conformity and approvals.....	2
7. Equipment and accessories .....	2
8. Warning labels.....	3

### 1. DESCRIPTION, USE

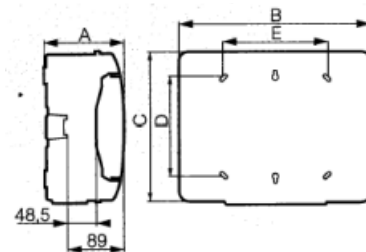
IP65 PLEXO<sup>3</sup> weather-proof cabinets with between 1x12 and 4x18 modules compliant with regulations governing public buildings and high-rise buildings.

- . Impact-resistant reinforced polystyrene material
- . Removable chassis and faceplates from two-row versions upwards
- . Two-position rail for modular products and moulded boxes
- . Spacing between rails: 150 mm
- . Accommodates perforated plates and plain faceplates for mounting of non-modular products
- . Fixing of complete Plexo programme flush-mounted on the side of the cabinet from two-row versions upwards
- . Lockable door handle, tamper-evident cover and faceplate
- . Door and cabinet totally reversible
- . Direct perforation entry glands supplied

### 2. RANGE

New Cat. N°.	Number of rows	Number of modules
4 140 33	1	12
4 140 34	2	24
4 140 35	1	18
4 140 36	2	36
4 140 37	3	54
4 140 38	4	72

### 3. OVERALL DIMENSIONS



Cat. No.	Dimensions (mm)				
	A	B	C	D	E
4 140 33	141	340	282	180	180
4 140 34	161	340	432	330	180
4 140 35	141	448	282	180	290
4 140 36	161	448	432	330	290
4 140 37	161	448	622	480	290
4 140 38	161	448	822	680	290

### 4. GENERAL CHARACTERISTICS

#### ■ 4.1 Caractéristiques techniques

- . Box colour: light grey L750A
- . Cover colour: dark grey RAL 7046
- . Shutter colour: transparent blue
- . Protection rating: IP65 – IK09
- . Self-extinguishing: 750°C
- . Dual class II insulation
- . Rated operating voltage: 1000V ∴
- . Rated insulation voltage: 1000V ∴
- . Storage and installation temperature:  
4 140 33 to 4 140 38: -25°C to + 55°C (+70°C/24 hr).
- . Operating temperature: -25°C to + 60°C under cover.
- . Max. permitted current:  
4 140 33/35 : 30A ∴  
4 140 34 : 40A ∴  
4 140 36 : 60A ∴  
4 140 37/38 : 90A ∴

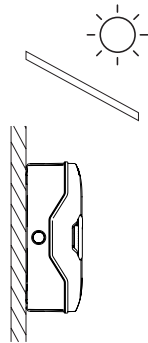
**4. GENERAL CHARACTERISTICS (suite)**

■ **4.2 Materials**

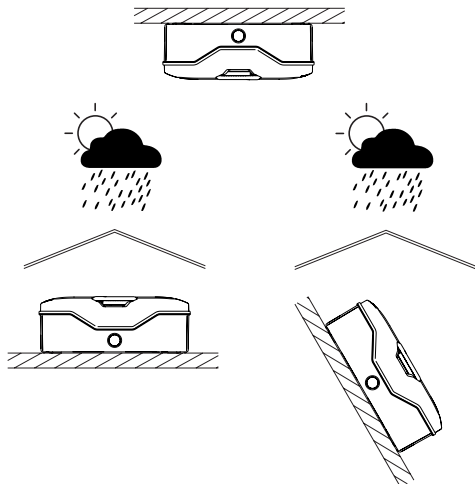
- . Box, cover, rail brackets, terminal brackets, hinge cover and faceplate: impact reinforced polystyrene
- . Door: transparent polycarbonate
- . Handle and door identifier indicator light: polycarbonate
- . Handle bar: glassfibre-reinforced polycarbonate
- . Cover/box screws and springs: stainless steel
- . Other screws: zinc-coated steel
- . Rails: galvanised steel

**5. SETTING IN SITUATION**

■ **5.1 Vertical positioning**



■ **5.2 Horizontal / sloping positioning**



**6. CONFORMITY AND APPROVALS**

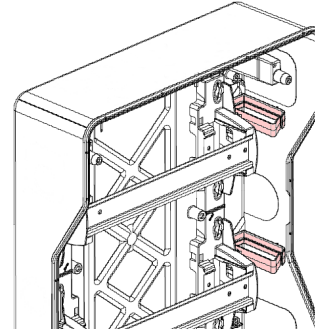
- IEC 60 439-3
- IEC 60 695-2-11
- IEC 62 262
- RoHS
- WEEE
- REACH

**7. EQUIPMENT AND ACCESSORIES**

■ **7.1 Guide ties**

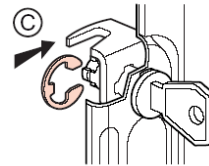
Guide ties supplied with the cabinet :

Cat. No.	4 140 34	4 140 36	4 140 37	4 140 38
Number of ties	2	2	3	4



■ **7.2 Key lock Cat. No. 0 019 66**

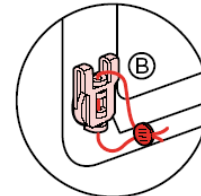
Key lock no. 850.



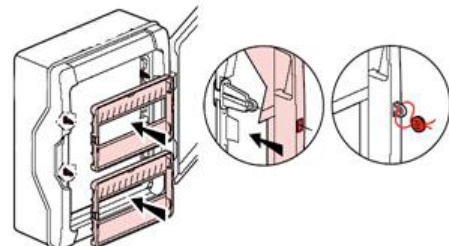
■ **7.3 Sealing kit Cat. No. 0 019 68**

Set of two sealable terminal shields for covers and eight sealable brackets for faceplates

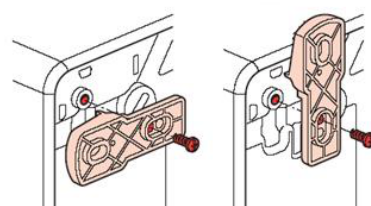
**7.3.1 Sealable screw covers for front cover**



**7.3.2 Sealable brackets for faceplates**



■ **7.4 Set of four wall mounting lugs Cat. No. 0 019 69**



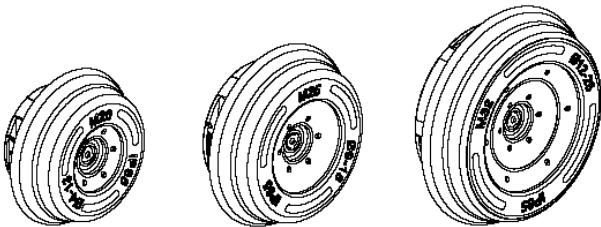
**7. EQUIPMENT AND ACCESSORIES (suite)**

■ **7.5 Blanking plates Cat. No. 0 019 61**

Set of five, separable into modules or half-modules, dark grey RAL 7046.

■ **7.6 Knock-out grommets Cat. No. 0 019 55**

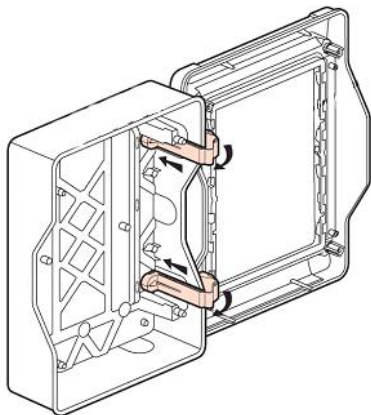
L-Pack comprising 2 ISO Ø32 mm entry glands, 5 ISO Ø25 mm entry glands and 10 ISO Ø20 mm entry glands  
 These entry glands maintain the cabinet's IP65 and IK09 ratings.  
 Embouts permettant de conserver l'IP65 et l'IK09 du coffret.



	Drilling dia. of boxes
ISO 20 mm dia.	Dia. 20.6 mm
ISO 25 mm dia.	Dia. 25.6 mm
ISO 32 mm dia.	Dia. 32.6 mm

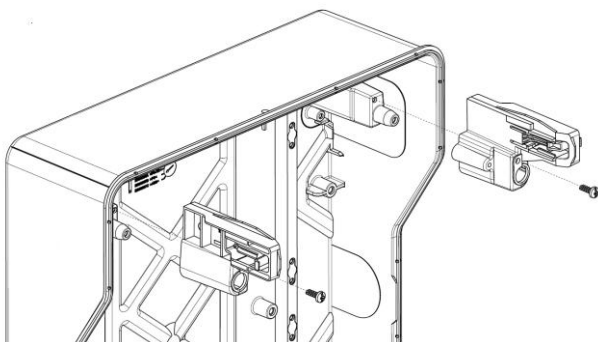
■ **7.7 Hinges Cat. No. 0 019 70**

Set of 2 hinges connecting the back of the cabinet to the cover.



■ **7.8 Terminal block support**

Single support Cat. No. 0 019 72 for 12- and 18-module cabinets.  
 Double support Cat. No. 0 019 73 for 24- to 72-module cabinets.



■ **7.9 Kit of connectors with typical bases MC4 Cat. No. 4 140 93**

Lot made up of 20 jack connectors for enclosures (10 males / 10 females), 20 plugs (10 males / 10 females) and 10 latches



**8. IDENTIFICATION LABELS**

Cabinets are supplied with a labelling kit and also instructions for the positioning of stickers.

Example of warning label positioning (AC and DC cabinet) :

