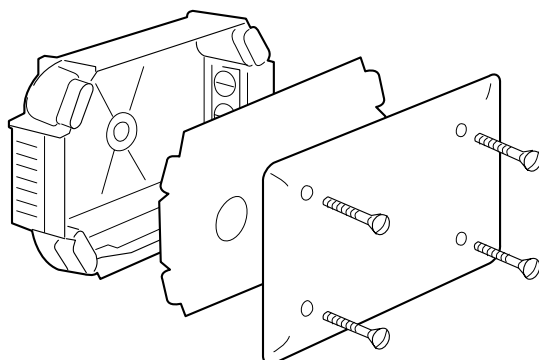


**Batik™**  
**Flush-mounting boxes for masonry**

**Cat. Nos.: 892 71/72/73/74/75**



**1. GENERAL CHARACTERISTICS**

Rectangular junction box for masonry with knock-out entries.

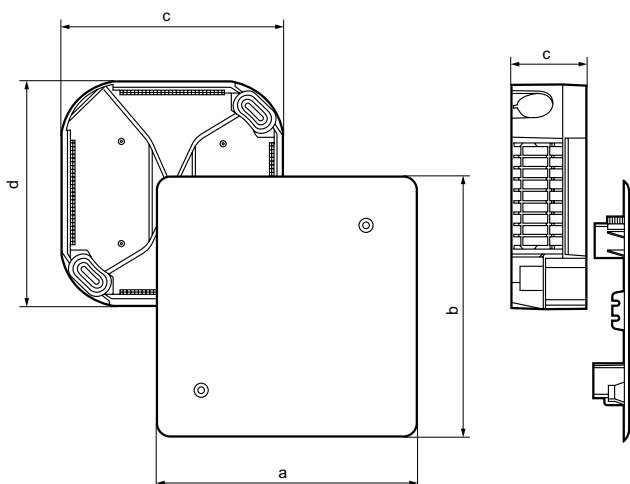
**2. TECHNICAL CHARACTERISTICS**

- Case: green polyethylene
- Boxes supplied complete with cover and screws.
- Knock-out walls and multi-sided strips fitted with covers with vertical adjustment.
- Boxes 892 72/73/74/75 supplied with anti-plaster screen.
- Self-extinguishing 650° C.

**3. USE**

For «circuit branch connection».

**4. DIMENSIONS**



Cat. Nos.	A	B	C	D	E
892 71	(100)	(100)	85	85	40
892 72	140	140	120	120	40
892 73	190	135	165	115	40
892 74	195	195	175	175	40
892 75	255	210	230	180	50

**5. ACCESSORIES**

Cat. No. 892 67: divider for boxes Cat. Nos. 892 74/75.