

BASES FOR FUSES TYPE DIAZED

Référence(s) : 6051 50, 51

Sizes 25A and 63A



Up to 25A



Up to 63A

SOMMAIRE

	PAGES
1. USE	1
2. RANGE	1
3. DIMENSIONS	1
4. MOUNTING	2
5. CABLING	2
6. ELECTRIC AND MECHANICAL FEATURES	2
7. NORMATIVE	6
8. ACCESSORIES	6

1. USE

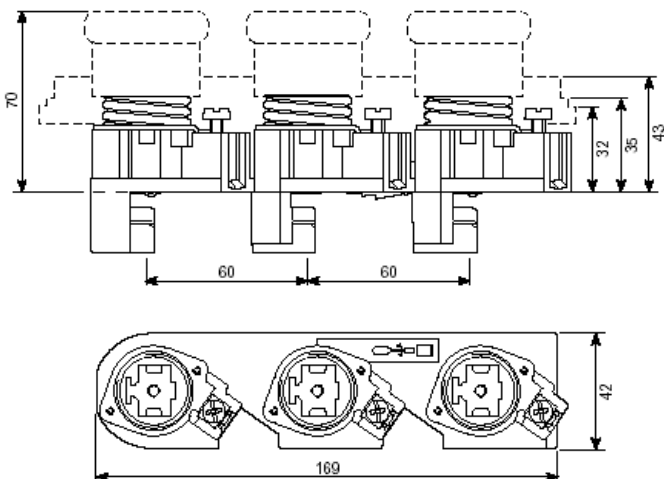
The bases for fuses DIAZED are devices for the protection of the electric circuits from overcharge and short circuit using D0 fuses type. They have to be installed in 60mm BUS-BAR systems. The D0 fuses have a high value of Icu and their maintenance and substitution is very fast and easy.

2. RANGE DIAZED BASES

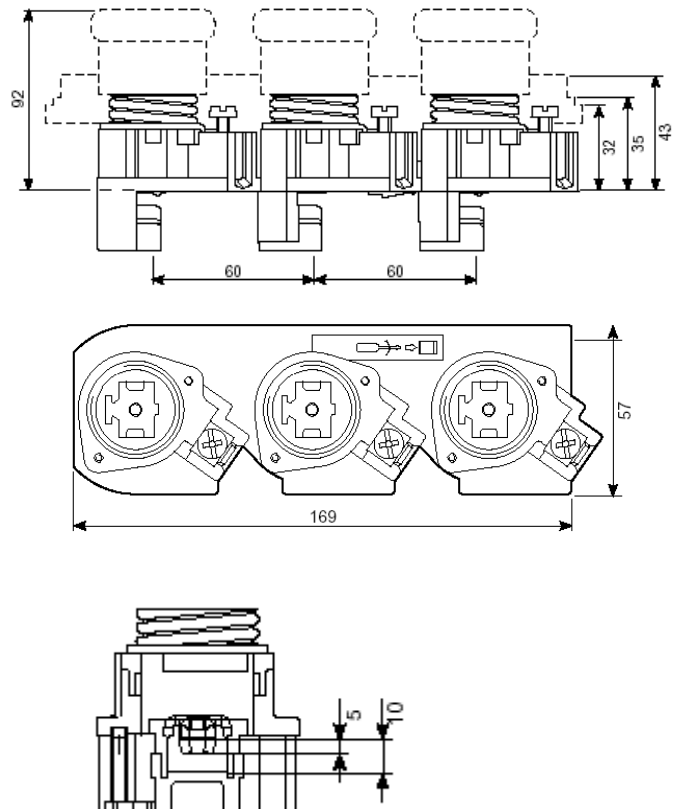
In [A]	3P
up to 25	6051 50
up to 63	6051 51

3. DIMENSIONS

Up to 25A Bases



Up to 63A Bases

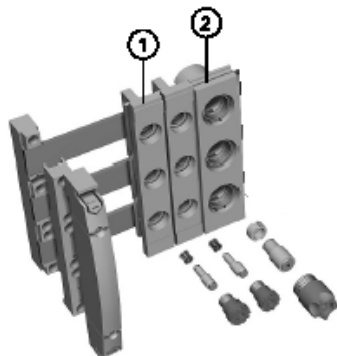
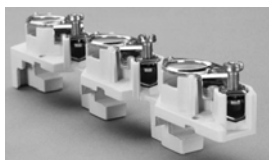


Sizes 25A and 63A

4. MOUNTING

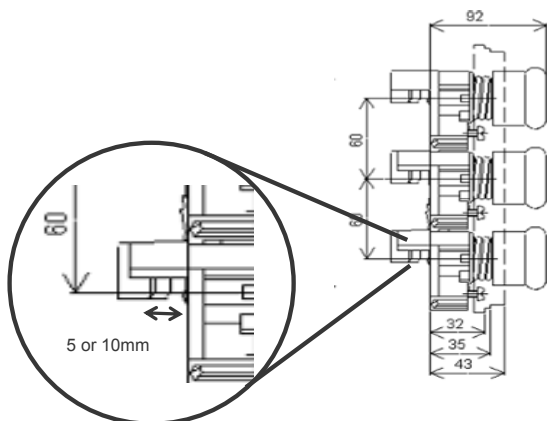
1 → 6051 50

2 → 6051 51



Integration in 60mm BUS-BAR system:

- horizontal or vertical mounting on bus-bars system 60mm
- bars thickness:
5mm or 10mm thanks to the adjustable rear connection:



- support for 60mm BUS-BAR system ref: 605246:



4. MOUNTING (CONTINUATION)

- Example of installation with different devices



5. CABLING

Cage terminals for all the typologies and poles



Connecting capacity		up to 25A	up to 63A
Rigid cable (Cu)	min-max mm ²	1,5-25	1,5-35
Bar (Thickness)	mm	5 or 10	5 or 10

6. ELECTRIC AND MECHANICAL FEATURES

Technical characteristics		up to 25A	up to 63A
Nominal current	I_n (A)	25	63
Nominal voltage	U_n (V)	500	500
Number of poles		3	3
Collector rail thickness	mm	5 and 10	
Fuse type		DIN 49515	DIN 49515 DIN 49367
Power dissipation at typical load with 80% of the nominal current	W	0,8	6,4
Power dissipation at nominal current	W	1,2	10
Opened box terminals	mm ²	1,5 - 25	1,5 - 35
Temperature stability	°C	140	140

Sizes 25A and 63A

7. NORMATIVE

The Bases for DIAZED fuses are

- Self-extinguishing in accordance to UL 94
- Silicon-free
- Halogen-free

The Bases are certified **KEMA** and has the **CE** quality mark

8. ACCESSORIES

8.1 Covers



For 25A base

42mm wide

ref. 6051 60

84mm wide

ref. 6051 62

For 63A base

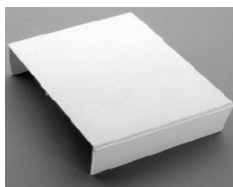
57mm wide

ref. 6051 61

114mm wide

ref. 6051 63

8.2 Accessories for collector 60mm rail

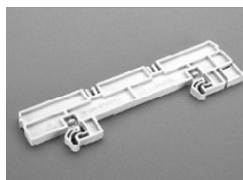


Cover for rail

ref. 6051 64

Support for rail cover

ref. 6051 65



8.3 Accessories NOT in the offer (to be supplied in the market)

- Screw caps (plastic or ceramic)



- Rating rings or screws
(to fit different Diazed fuses sizes)



For ref. 6051 50

Type	In (A)	Color
DII	2	Rose
	4	Brown
	6	Green
	10	Red
	16	Grey
	20	Blue
	25	Yellow

For ref. 6051 51

Type	In (A)	Color
DIII	35	Black
	50	White
	63	Copper

- Diazed Fuses



General Electric Characteristics	
Nominal Voltage:	500Vac
Breaking Capacity	50kA
Utilization Class	fast, gG, gR
Standards	IEC 269
	VDE 0636
	DIN 49515
	CEE 16