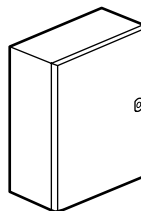
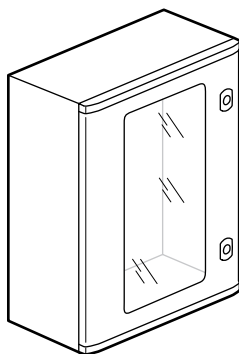
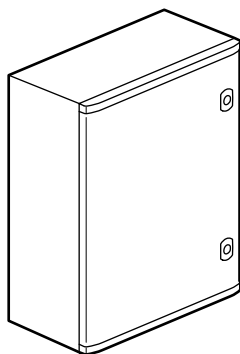


Marina Cabinets

Cat. No(s): **0 362 50/51/52/55/56/61/63/64**
0 362 71/72/75/76/81/83/84
0 362 40/42/44 - 0 364 08/09 - 0 365 13



CONTENTS

Page

1. Main characteristics	1
2. Range	1
3. Technical characteristics	1
4. Dimensions	3
5. Equipments	4
6. Mounting	7
7. Accessories	8

1. GENERAL CHARACTERISTICS

Grey polyester cabinets RAL 7035, IP 66 - IK 10⁽¹⁾ - Classe II, particularly suited to corrosive environments.

Direct mounting of equipment at back of cabinet.

Possible to fit a partial plate (cabinets height \geq 500 mm) and/or rails (cabinets height \geq 400 mm) on intermediate fixing points..

Optional:

- equipments depth adjustment (cabinet height \geq 400 mm),
- horizontal or vertical coupling (cabinet height \geq 500 mm),
- reinforced protection with roof (cabinet height \geq 700 mm),
- up to 7 solutions for cabinet mounting (with brackets, on base, on stand, etc...)

2. RANGE

Cat. No(s)		Dimensions Height x Width x Depth (mm)	
With plane door	With glass door	Overall	Corresponding metal cabinets
0 362 50		300 x 220 x 160	300 x 200 x 160
0 362 51	0 362 71	400 x 300 x 206	400 x 300 x 200
0 362 52	0 362 72	500 x 400 x 206	500 x 400 x 200
0 362 55	0 362 75	610 x 400 x 257	600 x 400 x 250
0 362 56	0 362 76	720 x 510 x 250	700 x 500 x 250
0 362 61	0 362 81	820 x 610 x 300	800 x 600 x 300
0 362 63	0 362 83	1020 x 810 x 300	1000 x 800 x 300
0 362 64	0 362 84	1220 x 810 x 300	1200 x 800 x 300

3. TECHNICAL CHARACTERISTICS

3.1 Framework

- Fibreglass filled polyester resin RAL 7035 (SMC), heat polymerised,
- one-piece body, without cable entries,
- brass fixing inserts (only supplied with Cat. No. 0 362 50),
- top and bottom protective flange (except Cat. No 0 362 50),
- reversible door with captive pin (except Cat. No 0 362 50) in stainless steel, opening 180° (130° for Cat. No 0 362 50),
- two-point closure with two plastic double bar locks (one bolt for Cat. No 0 362 50) with interchangeable barrel,
- polyurethane seal,
- tinted tempered glass door.

(1) Cabinet height 300 mm.

3.2 Protection index, insulation class

- IP 66 according to IEC EN 60529: totally protected against dust and totally protected against jets of water of similar force to heavy seas,
- IK 10 according to IEC EN 62262: protected against mechanical impacts of 20 joules (IK 08 = 5 joules for Cat. No 0 362 50),
- conform to IEC EN 62208,
- classe II: allow for the production of assemblies in total insulation according to IEC EN 60439-1.

3.3 Mechanical resistance

- maximum load: 500 kg / m³,
- maximum load on door: 2.5 kg per 100 mm height,
- maximum static load with 4 fixing brackets:
 - Cat. No 364 08 (for cabinets height 300 mm) : 100 kg,
 - Cat. No 364 09 (for cabinets height \geq 400 mm) : 150 kg,
- insert resistance: axial wrenching > 250 kg (by insert)
- fixing with stand Cat. No 364 36/37 conform to EN 50125-3 (railway applications, permanent installations).

3.4 Resistance to climatic conditions

- operating temperature: - 40°C to + 85°C (+ 100°C at peak),
- For the event of temperatures below freezing point, to facilitate the opening of the door, the application of a vaseline or silicon based product on the door seal is recommended. To avoid condensation caused by temperature variations inside the enclosure, provide for heat regulation.
- salt spray according to ISO 9227 (NSS test) and IEC EN 60068-2-11 (Ka test): 1500 hours,
- sulphur dioxide with condensation according to EN ISO 6988: 500 hours,
- ultraviolet resistance (UV): exposure 240 hours according to EN ISO 4892-2 (A method) with $\Delta E < 2.5$ (colorimetric variation).

3.5 Fire behaviour

- glow wire resistance according to IEC EN 60695-2-11: 960°C,
- limited oxygen index (LOI) according to EN ISO 4589 / ASTM D 2863: 22 %,
- without halogens.

3. TECHNICAL CHARACTERISTICS *(continued)*

3.6 Resistance to chemical agents

Resistant to ambient temperature compared to exposure risk spraying.

- ++: Excellent resistance (continuous exposure)
- + : Good resistance (prolonged exposure)
- : Limited resistance (possible momentary exposure)
- : Weak resistance (exposure to be avoided)

Aqueous solutions	Cold water	++	
	Hot water	+	
	Vapor	-	
	Saltwater 5 %	+	
	Hydrogen peroxide	-	
	Water + detergent	+	
	Water + surfactants	+	
	Aldehyde	-	
Alcohols	Ethanol	+	
	Methyl alcohol	+	
	Propanol	+	
	Butanol	+	
Glycols	Ethylene glycol	+	
Carbolic		-	
Cresols		-	
Bases	Ammonia	+	
	Sodium hydroxide	+	
	Sodium hypochlorite	+	
	Potassium hydroxide	+	
Strong oxidant acids	Acetic acid	+	
	Nitric acid 5 %	+	
	Sulfuric acid 30 %	+	
	Muriatic acid 30 %	+	
	Perchloric acid 70 %	++	
	Hydrofluoric acid 70 %	--	
	Chromic acid 50 %	-	
	Phosphoric acid 30 % +		
Weak acids	Diluted acetic acid < 25 %	+	
	Citric acid	++	
	Lactic acid	++	
	Formic acid	+	
	Uric acid	+	
Oils and greases	From of animal origins	Lard	++
		Butter and cream	++
	From of vegetable origins	Linseed oil	++
		Peanut and olive	++
		Castor oil	++
		Glycerin	+
	From of mineral origins	Paraffin	++
		Engin oil	+
		Silicon oil	++
Machine oils		++	
Hydraulic fluid		+	
Hydrocarbons	Unleaded gas	+	
	Diesel oil	++	
	Kerosene	++	
	White spirit	++	

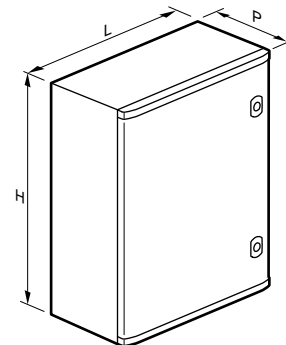
Chlorinated solvents	Trichloroethylene	--
	Trichloroethane	-
	Perchloroethylene	--
	Methylene chloride	--
	Carbon tetrachloride	--
Aromatic solvents	Chloroform	-
	Benzene	+
	Toluene	-
Aliphatic solvents	Xylene	+
	Hexane	++
Fluoride solvents	Heptane	++
	Trichlorofluoromethane	--
Ketones	Acetone	-
	Methyl ethyl ketone	-
	Ethyl acetate	-
Terpenes	Turpentine	-

3.7 Painting behaviour

After having used sandpaper (grain 400 to 600) and degreasing, Marina cabinets can be painted using a polyurethane component paint. The application of a bonding primer allows the use of all types of paint.

4. DIMENSIONS

4.1 Overall dimensions/weight



Cat. No.	Overall dimensions H x L x P (mm)	Weight (kg)	Weight with glass door (kg)
0 362 50	300 x 220 x 160	1.75	-
0 362 51/71	400 x 300 x 206	3.7	4
0 362 52/72	500 x 400 x 206	5.1	5.6
0 362 55/75	610 x 400 x 257	6.4	7
0 362 56/76	720 x 510 x 250	11.2	12.3
0 362 61/81	820 x 610 x 300	15.2	16.7
0 362 63/83	1020 x 810 x 300	21.8	23.9
0 362 64/84	1220 x 810 x 300	25	27.5

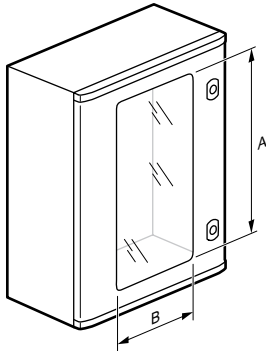
Marina Cabinets

Cat. No(s): 0 362 50/51/52/55/56/61/63/64
 0 362 71/72/75/76/81/83/84
 0 362 40/42/44 - 0 364 08/09 - 0 365 13

4. DIMENSIONS (continued)

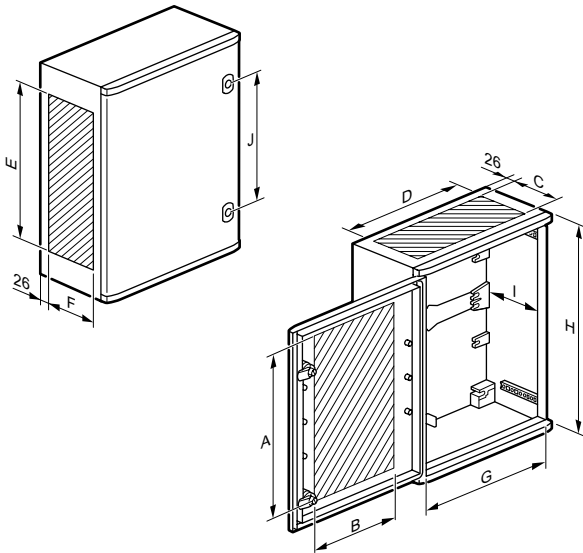
4.2 Dimensions for the window (glass door)

Window centred in height and width.

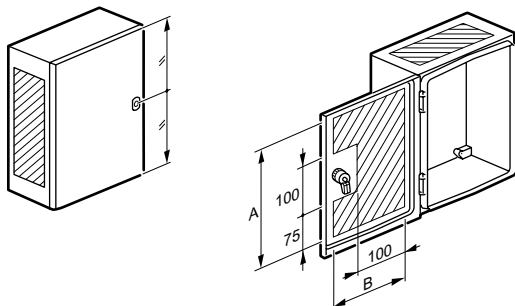


Cat. No.	A (mm)	B (mm)
0 362 71	235	145
0 362 72	335	245
0 362 75	463	245
0 362 76	570	272
0 362 81	672	372
0 362 83	770	495
0 362 84	970	495

4.3 Useable dimensions



Cat. No. 0 362 50



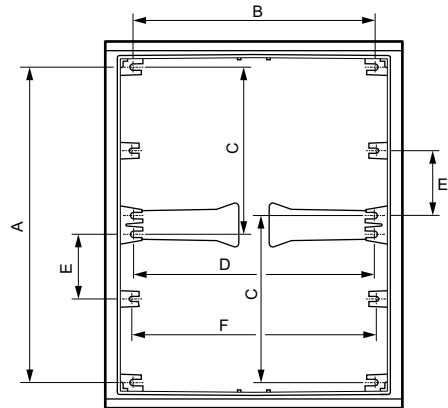
Cat. No.	Useable dimensions (mm)									
	A ⁽¹⁾	B ⁽¹⁾	C	D	E	F	G	H	I _{maxi}	J
0 362 50	250	150	105	195	250	115	194	280	130	-
0 362 51/71	300	180	130	250	260	150	260	350	178	200
0 362 52/72	400	280	130	350	360	150	360	450	178	300
0 362 55/75	500	280	180	350	460	180	360	560	225	400
0 362 56/76	600	340	170	400	560	170	460	662	211	400
0 362 61/81	700	440	220	500	660	230	560	762	261	500
0 362 63/83	900	600	220	700	860	230	760	962	261	580
0 362 64/84	1100	600	220	700	1060	230	960	1162	261	700

(1) Except cabinets with glass door
 Marking every 50 mm (25 mm for Cat. No. 0 362 50) inside the door.

Cat. No.	Thickness of wall (indicative dimensions) (mm)		
	Door	Sides	Rear
0 362 50	2.5	2.5	2.5
0 362 51/71	2.7	2.5	3
0 362 52/72	2.7	2.5	3
0 362 55/75	2.7	2.5	3
0 362 56/76	4	3.5	3.5
0 362 61/81	4	3.5	3.5
0 362 63/83	4	3.5	3.5
0 362 64/84	4	3.5	3.5

4.4 Equipment fixing

Direct fixing at back of cabinet.
 Intermediate fixing points for partial plate
 (except Cat. No. 0 362 50/51/71) and rails (except Cat. No. 0 362 50).

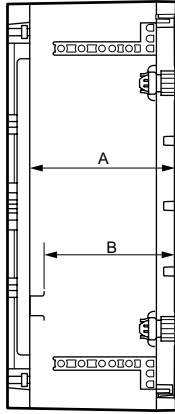


Cat. No.	Dimensions (mm)					
	A	B	C	D	E	F
0 362 50	263	163	-	-	-	-
0 362 51/71	325	225	125	225	102.5	228.5
0 362 52/72	425	325	225	325	87.5	228.5
0 362 55/75	525	325	325	325	95	328.5
0 362 56/76	625	425	425	425	100	428.5
0 362 61/81	725	525	525	525	100	528.5
0 362 63/83	925	725	725	725	100	728.5
0 362 64/84	1125	725	925	725	100	728.5

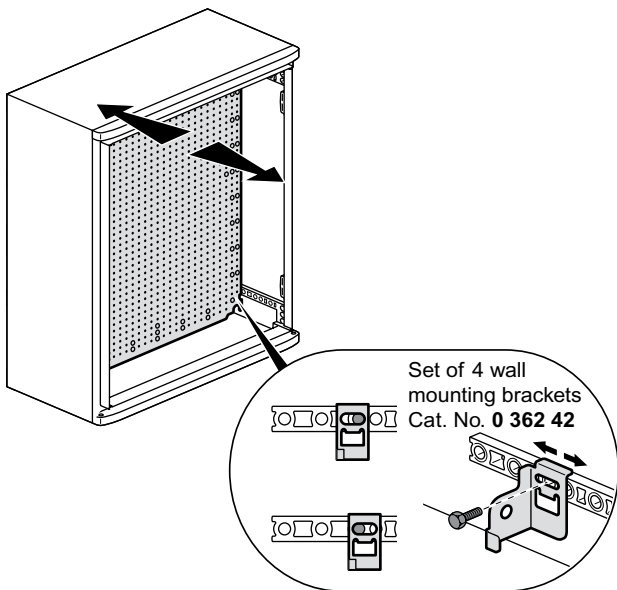
4. DIMENSIONS (continued)

4.5 Equipment adjustment

Depth adjustment using kit Cat. No. 0 362 42 (except Cat. No. 0 362 50).



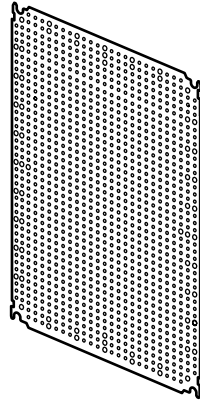
Cat. No.	Total plate (mm)		Chassis with rail (mm)	
	A max.	A min. with Cat. No. 0 362 42	B max.	B min. with Cat. No. 0 362 42
0 362 50	135	-	-	-
0 362 51/71	170	70	155	55
0 362 52/72	170	70	155	55
0 362 55/75	220	70	205	55
0 362 56/76	220	70	205	55
0 362 61/81	270	70	255	55
0 362 63/83	270	70	255	55
0 362 64/84	270	70	255	55



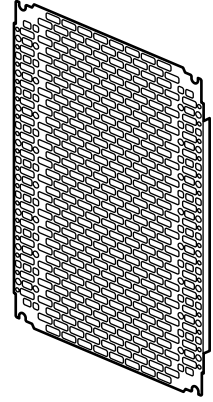
5. EQUIPMENTS

5.1 Plain plates, Lina 12.5, perforated Lina 25

Lina 12.5



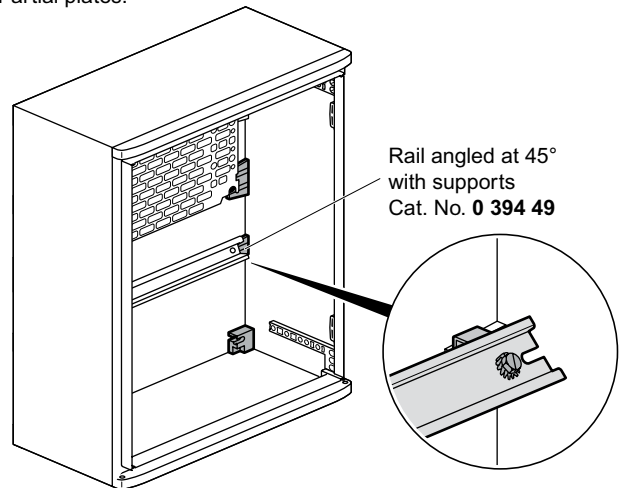
Lina 25



- Total plates:

Cat. No.	Cabinets H x L (mm)	Total plate		
		Plain	Lina 12.5	Lina 25
0 362 50	300 x 220	0 360 49	0 360 01	0 360 99
0 362 51/71	400 x 300	0 360 52	0 360 04	0 360 12
0 362 52/72	500 x 400	0 360 55	0 360 09	0 360 15
0 362 55/75	600 x 400	0 360 56	0 360 22	0 360 16
0 362 56/76	700 x 500	0 360 58	0 360 31	0 360 18
0 362 61/81	800 x 600	0 360 59	0 360 33	0 360 19
0 362 63/83	1000 x 800	0 360 61	0 360 42	0 360 21
0 362 64/84	1200 x 800	0 360 64	0 360 46	0 360 87

- Partial plates:



Example of a cabinet Cat. No. 0 362 52 with partial plate and rail mounted on intermediate studs.

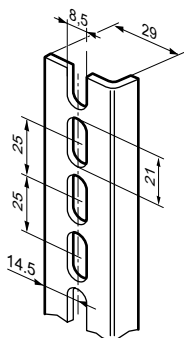
Cabinets	Plates H x L (mm)	Partial plates		
		Plain	Lina 12.5	Lina 25
0 362 52/72	300 x 400	0 360 52	0 360 04	0 360 11
0 362 55/75	400 x 400	0 360 70	0 360 05	0 360 92
0 362 56/76	500 x 500	0 360 71	0 360 14	0 360 93
0 362 61/81	600 x 600	0 360 57	0 360 24	0 360 17
0 362 63/83	800 x 800	0 360 60	0 360 34	0 360 20
0 362 64/84	1000 x 800	0 360 61	0 360 42	0 360 21

5. EQUIPMENTS (continued)

5.2 Sectioned uprights and Lina 25 rails

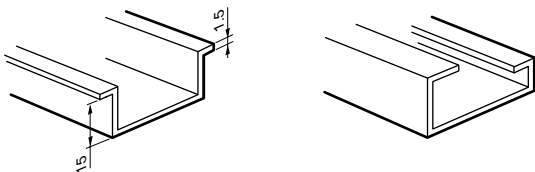
For chassis production


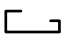
- Uprights:



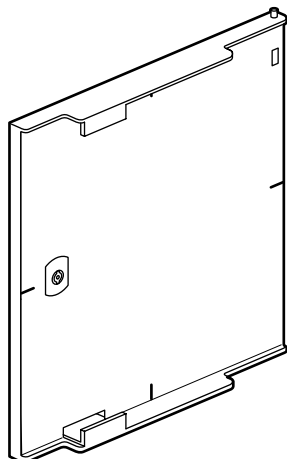
Cabinet		Uprights (set of 2)
Cat. No.	Height (mm)	
0 362 51/71	400	0 361 51
0 362 52/72	500	0 361 52
0 362 55/75	600	0 361 53
0 362 56/76	700	0 361 54
0 362 61/81	800	0 361 55
0 362 63/83	1000	0 361 56
0 362 64/84	1200	0 361 58
3 m to be cut to length		0 361 92

- Rails:



Cabinet		Rail Cat. No.	
Cat. No.	Width (mm)		
0 362 51/71	300	0 367 80	
0 362 52/55/72/75	400	0 367 81	
0 362 56/76	500	0 367 82	
0 362 61/81	600	0 367 83	
0 362 63/64/83/84	800	0 367 84	
2 m to be cut to length		0 374 07	0 374 02

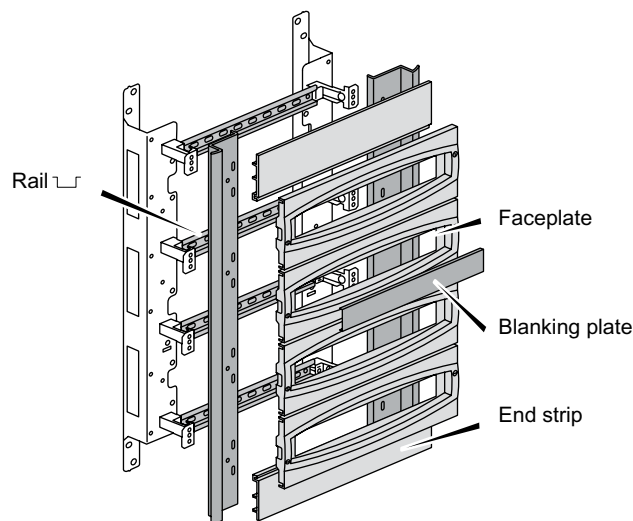
5.3 Internal polyester doors RAL 7035



Cabinet		Internal door Cat. No.
Cat. No.	H x L (mm)	
0 362 51/71	400 x 300	0 363 59
0 362 52/72	500 x 400	0 363 60
0 362 55/75	600 x 400	0 363 61
0 362 56/76	700 x 500	0 363 62
0 362 61/81	800 x 600	0 363 63
0 362 63/83	1000 x 800	0 363 64
0 362 64/84	1200 x 800	0 363 65 ⁽¹⁾

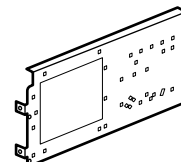
(1) Internal door like Cat. No. 0 363 64 with adjustable distance of 200 mm at top and bottom of door.

5.4 Chassis with insulating plates RAL 7035



Cabinet		Chassis	
Cat. No.	H x L x P (mm)	Cat. No.	Capacity
0 362 51/71	400 x 300 x 200	0 361 01	3 rows of 10 modules
0 362 52/72	500 x 400 x 200	0 361 02	3 rows of 16 modules
0 362 55/75	600 x 400 x 250	0 361 03	3 rows of 16 modules
0 362 56/76	700 x 500 x 250	0 361 05	4 rows of 21 modules
0 362 61/81	800 x 600 x 300	0 361 06	4 rows of 27 modules
0 362 63/83	1000 x 800 x 300	0 361 09	5 rows of 38 modules
0 362 64/84	1200 x 800 x 300	0 361 10	6 rows of 38 modules

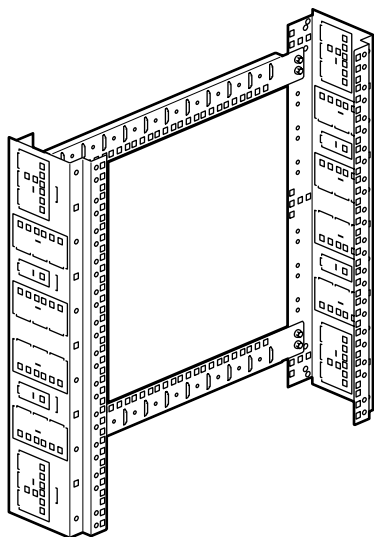
- Mounting plate for chassis:



Chassis		Mounting plate	
Cat. No.	H x L x P (mm)	Cat. No.	For power devices
0 361 06	800 x 600 x 300	0 360 44	DPX 125, DPX160 ou Vistop 160 A
0 361 09	1000 x 800 x 300	0 360 45	DPX 125, DPX 160, DPX 250 ER, Vistop 160 A ou Vistop 250 A
0 361 10	1200 x 800 x 300		

5. EQUIPMENTS (continued)

5.5 VDI chassis

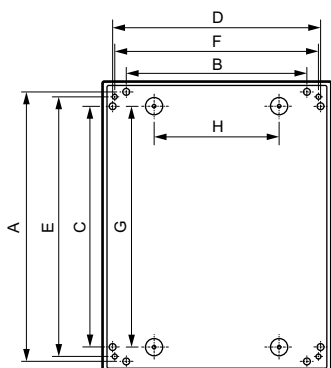
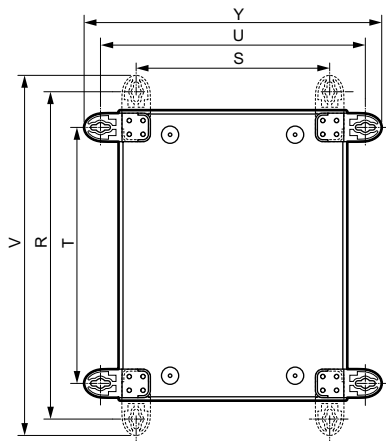


Cabinet		VDI chassis	
Cat. No.	H x L x P (mm)	Cat. No.	Capacity
0 362 55/75	600 x 400 x 250	0 462 28	12 U ⁽¹⁾
0 362 61/81	800 x 600 x 300	0 462 29	16 U ⁽²⁾

- (1) For same equipment as mini XL VDI cabinet Cat. No. 0 329 81.
 (2) For 19-inch equipment.

6. FIXING

Rear fixing on inserts (no passthrough) maintains IP66 and Class II.

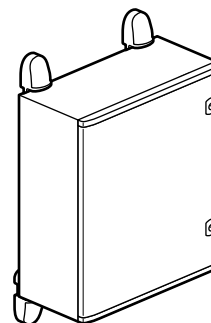


Cat. No.	On stand Cat. No. 364 36 and by threaded rods (mm)		On post with kit Cat. No. 364 46/47/ 364 46/47/48/49 and by threaded rods (mm)		Direct fixing outside mounting equipment area and on stand Cat. No. 364 37 (mm ²)	
	A	B	C	D	E	F
0 362 50	-	-	-	-	-	-
0 362 51/71	364	218	325	266	358	259
0 362 52/72	464	318	425	366	458	359
0 362 55/75	574	318	525	366	558	358
0 362 56/76	683	427	630	460,5	664	468
0 362 61/81	781	525	730	560,5	764	568
0 362 63/83	-	-	-	-	964	768
0 362 64/84	-	-	-	-	1164	768

Cat. No.	Direct fixing through rear of cabinet (mm ³)		With vertical brackets (mm)			With horizontal brackets (mm)		
	G	H	R	S	V	T	U	Y
0 362 50⁽¹⁾⁽²⁾	220	150	330	190	359	270	250	279
0 362 51/71	325	120	470	241	525	341	370	425
0 362 52/72	425	220	570	341	625	441	470	525
0 362 55/75	525	220	680	341	735	551	470	525
0 362 56/76	600	200	789	441	844	641	579	634
0 362 61/81	700	300	887	548	942	758	677	732
0 362 63/83	900	500	1087	748	1142	958	877	932
0 362 64/84	1100	500	1287	748	1342	1158	877	932

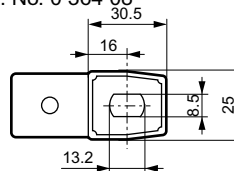
- (1) With brackets Cat. No. 0 364 08
 (2) S and T: insert centre distances
 (3) Through fixing

- Wall fixing with brackets:



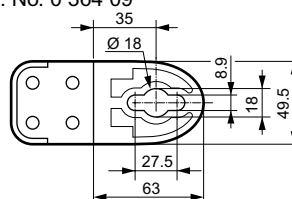
Set of brackets RAL 7035

Cat. No. 0 364 08



For cabinet H 300 mm
Polyamide

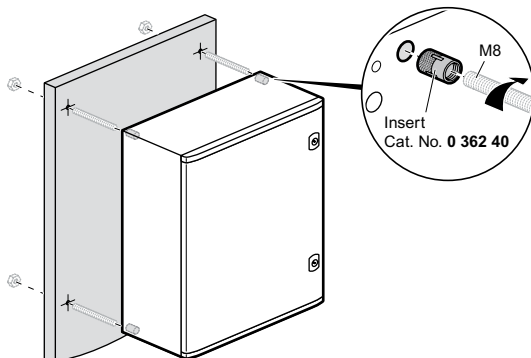
Cat. No. 0 364 09



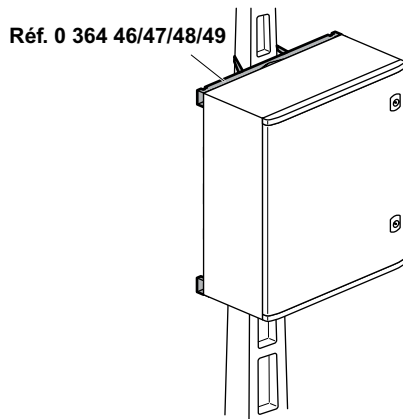
For cabinets H ≥ 400 mm
Polyester
Polyamide cover RAL 7016

6. FIXING (continued)

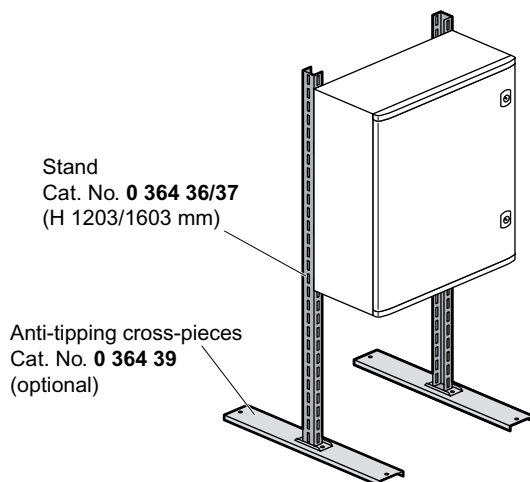
- Wall fixing by threaded rods:



- Fixing on post:

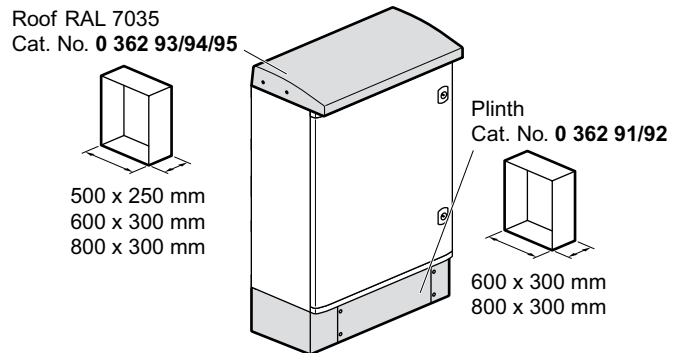


- Floor fixing with stand:



Stand Cat. No. 0 364 37 is supplied with accessories to maintain IP 66 and Class II at the level of the passthrough fixing.

- Floor fixing on plinth H 170 mm (polyester RAL 7035):



7. ACCESSORIES

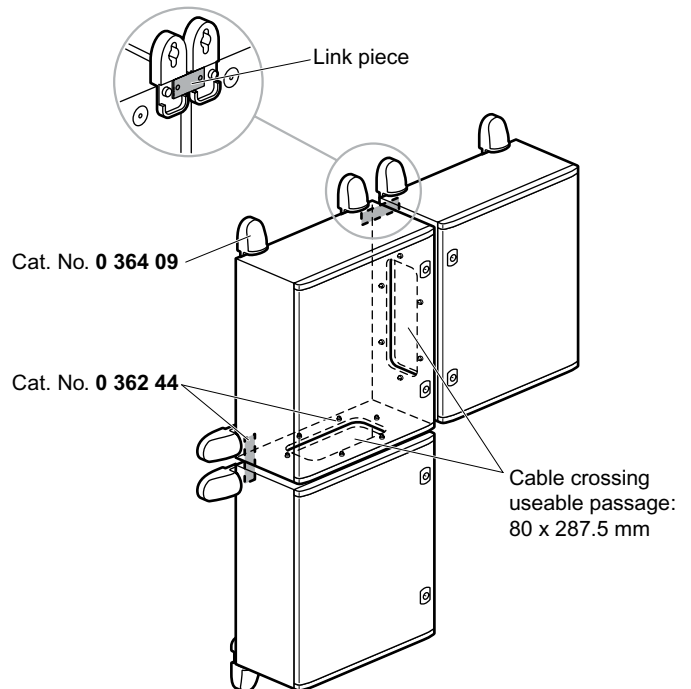
7.1 Joining kit Cat. No. 0 362 44

Cabinets can be joined horizontally or vertically with Cat. Nos. 0 362 44 (except cabinet 0 362 50/51/71).

The kit is composed of:

- 2 linking pieces of fixing brackets (Cat. No. 364 09 to be ordered separately) stainless steel,
- 1 cable crossing frame in glassfibre-filled polyester with integrated polyurethane seals,
- 1 drilling template, screw in stainless steel.

IP 66, Class II and max. load (500 kg/m³) are maintained.



From height 800 mm upwards 2 cable crossign frames can be fitted on the height of the cabinet.

7. ACCESSORIES (continued)

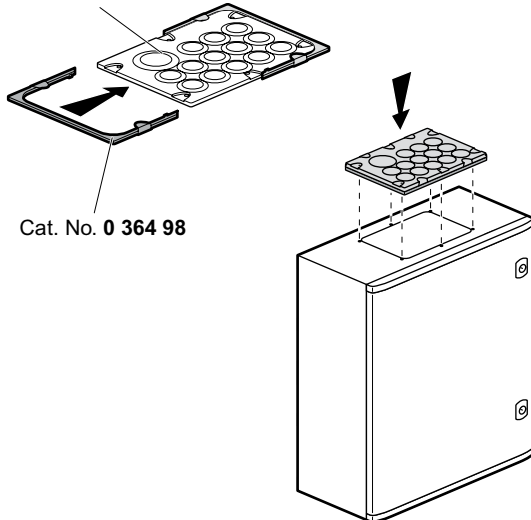
7.2 Cabstop Kit RAL 7035 Cat. No. 0 364 98

Kit Cat. No. 0 364 98 enables mounting of IP 55 Cabstop plates on flat surface.

Kit enables mounting of 2 IP 55 Cabstop plates Cat. Nos. 0 364 94 or 95, and 0 364 96 or 97 (supplied with drilling template). Class II is maintained (insulated screws).

Cabstop plate

Cat. No. 0 364 94/95/96/97



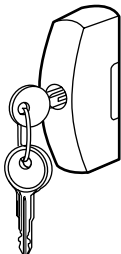
Cat. No. 0 364 98

7.3 Handle lock with barrel Cat. No. 0 368 06

Handle lock is composed of a 2433 A barrel.

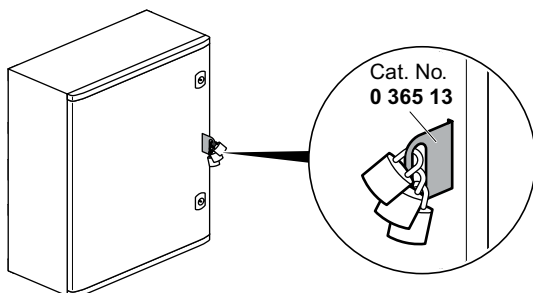
IP 66 maintained.

Handle lock 0 368 05 and other key codes possible.



7.4 Stainless steel padlocking lug Cat. No. 0 365 13

The lug Cat. No. 0 365 13 allows the padlocking of cabinets (except Cat. No. 0 362 50) with 3 padlocks Ø 6 mm max. in addition to the locks. IP and Class II are maintained.



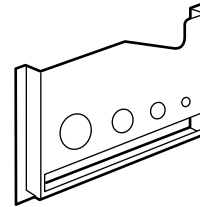
Other padlocking possible: Cat. No. 0 365 11 on lock (or handle lock in accessory).

7.5 Self adhesive pockets for plans

- Cat. Nos. 0 365 80, 340 x 235 mm (internal dimensions: 310 x 200 x 18 mm)

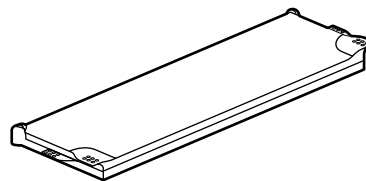
and Cat. Nos. 0 365 81, 260 x 165 mm (internal dimensions: 230 x 130 x 18 mm).

Opened, RAL 7035



- Cat. No. 0 365 82, 325 x 120 mm (internal dimensions: 324 x 120 x 18 mm). Closed IP 50, RAL 9002.

Capacity of some fifteen A4 sheets of papers folded in two.



- Cat. No. 0 097 99, 305 x 220 mm (A4 format).

Flexible and transparent.

7.6 Door contact Cat. No. 0 363 13

