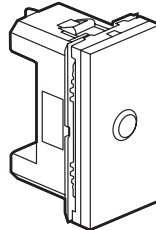


## Mosaic™ jack socket

Cat. No(s) : 787 64



### 1. USE

For connecting an emitting (iPod, laptop) or listening device (loud speakers, headphones, etc.).  
Audio stereo link.

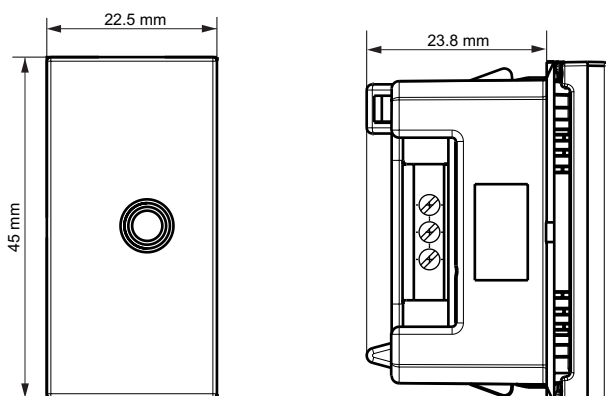
### 2. RANGE

	Designation	Cat. No.	Modules	Fixing method	Connection method	Weight (g)
	Jack socket, 3.5 mm, female	787 64	1	With clips	With screws	14.6

### 3. PREPARATION

- The mechanisms can be flush-mounted or surface-mounted.
- Modular mechanisms using adapter Cat. No. 802 99 (2 modules).
- The mechanisms are mounted on thin walls using adapters Cat. No. 802 90 (1 module), 802 91 (2 modules), 802 92 (2 x 1 vertical module).

### 4. OVERALL DIMENSIONS



### 5. CONNECTION

Wide terminal strip taking a 1 mm<sup>2</sup> conductor max.  
Supplied in a bag containing :

- 1 Colring tie
- ferrules to be crimped for conductor < 0,5 mm<sup>2</sup>
- thermoformable sheaths

Cable bend radius : 35 mm.

The length of the cable will depend on the power of the source and the sensitivity of the receiver.

#### Stripping

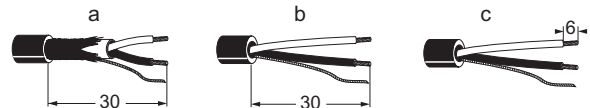
Shielded cable 2 x 0.14 mm<sup>2</sup>.

a - Cable unshoothing length : 30 mm.

Recover the continuity wire of the cable's general shielding

b - Remove the braid and the aluminium shielding tape.

c - Core stripping length : 6 mm.



#### Wiring

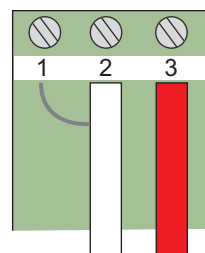
Tools required : Flat-blade screwdriver 0.4 x 2.5 mm and flat-nose pliers.

Insulate the continuity wire using the neoprene sleeve supplied, thread it into the respective ferrule supplied and crimp it using the flat-nose pliers.

Thread the cores into the respective ferrules supplied and crimp them using the flat-nose pliers.

Start by cabling the continuity wire, followed by the cores.  
Hold the wire mechanically using the cable clamp supplied.

Follow the wiring instructions below :



- 1 - Audio ground
- 2 - White audio hot spot (left)
- 3 - Red audio hot spot (right)

## 6. TECHNICAL CHARACTERISTICS

### 6.1 Mechanical characteristics

Impact tests : IK 04

Penetration by solid bodies/liquid : IP 41 (C15-100)

### 6.2 Material characteristics

Base : Polycarbonate

Cover : ABS (RAL 9003)

Self-extinguishing : 650°C / 30 s

### 6.3 Climatic characteristics

Storage temperature : - 10°C to + 70°C

Operating temperature : - 5°C to + 50°C

## 7. CLEANING

Surface cleaning with a cloth.

Do not use : acetone, tar remover, trichloroethylene.

### 7.1 Resistance to cleaning agents

Resistance to the following agents : - Hexane (EN 60669-1)

- Methylated spirits
- Soapy water
- Diluted ammonia
- Diluted pure bleach 10%
- Glass cleaning substance
- Pre-impregnated wipes.

### 7.2 Resistance to hospital-type cleaning agents

Resistance to the following agents : - Anios

- Surfanios
- Bactilysine
- Diluted hydrogen peroxide (35%)

**Caution** : A preliminary test should be carried out if other specific cleaning products are to be used.