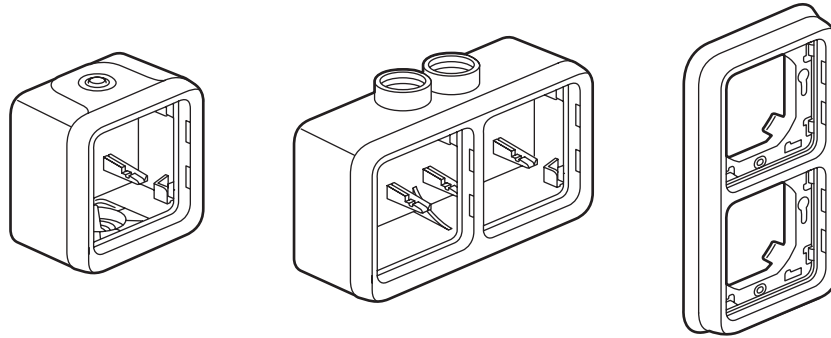


Plexo composable

Plate supports and boxes

Cat. No(s): 0 696 51/52/55/56/61/64/68/72/74/78/79/80
 0 696 81/83/85/87/89/90/91/92/94/96/98
 0 707 41/42/43/49/92/94



1. USE

Weatherproof wiring device system designed for residential and professional technical locations (garages, cellars, car parks, workshops, etc) as well as for outdoor applications (patios, gardens, camp sites, etc). Antimicrobial version products are made of silver-ion based antimicrobial* material.

This technology eliminates bacteria, fungi and viruses without creating any immunisation or resistance effects (physical, rather than chemical, destruction).

Particularly suitable for healthcare establishments (hospitals, clinics, nursing homes, laboratories, waiting rooms, etc.) and more generally for areas subject to hygiene restrictions (industrial, shared and restaurant kitchens, waste, etc.).

These products offer an additional way of ensuring the non-proliferation of bacteria, fungi and viruses without interfering with cleaning protocols. Boxes with entry glands or cable glands and supports supplied with plate. Can take composable mechanisms. Boxes supplied with Nylbloc auto 2 conductor connection terminals, for future tap connections.

2. RANGE

	Description	Cat. No.
COMPOSABLE SURFACE MOUNTING	1 gang 2 entries	0 696 51/55** 0 696 89 0 707 41*
	2 gang horizontal 2 entries	0 696 72 0 696 90 0 707 42*
	2 gang vertical 2 entries	0 696 61 0 696 91 0 707 43*
	3 gang horizontal 3 entries	0 696 80
	3 gang vertical 2 entries	0 696 79
CABLE GLAND BLOKES	1 gang 1 entry	0 696 52 0 696 56
	2 gang horizontal 2 entries	0 696 74 0 696 78
	2 gang vertical 2 entries	0 696 64 0 696 68

	Description	Cat. No.
COMPOSABLE FLUSH-MOUNTING	1 gang	0 696 81 0 696 92 0 707 92*
	2 gang horizontal	0 696 83 0 696 94 0 707 94*
	2 gang vertical	0 696 85 0 696 96 0 707 49*
	3 gang horizontal	0 696 87 0 696 98

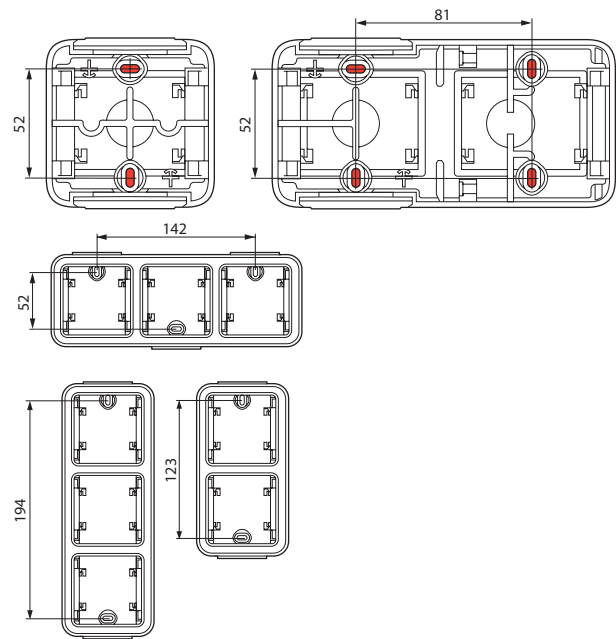
Cat. No.	2 versions grey and white
0 695 xx 0 696 xx	Composable
0 697 xx 0 698 xx	Complete surface mounting Complete flush mounting

*Antimicrobial version
 **1 low endpiece, 2 outputs

3. INSTALLATION

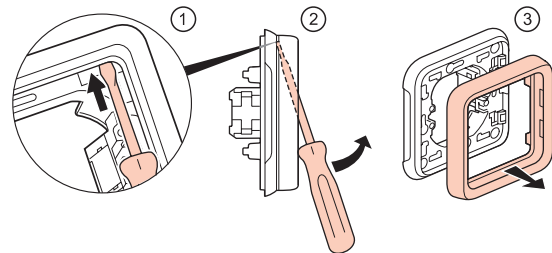
■ 3.1 Surface mounting

- By screwing back box onto support using Ø 3 mm - Ø 4 mm max. screws.



■ 3.2 Flush mounting

- Unclip plate

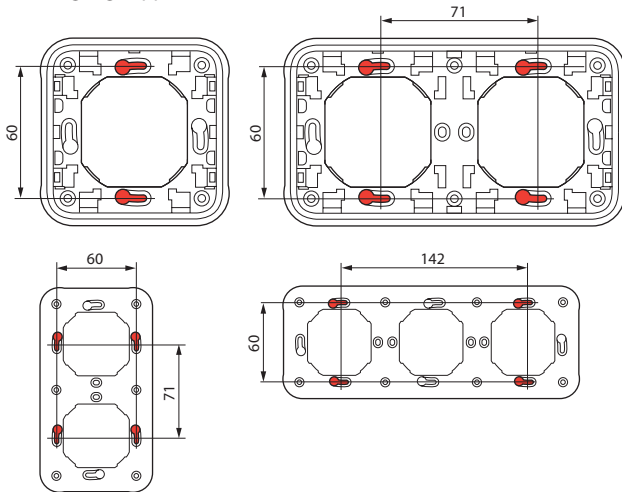


Plexo composable Plate supports and boxes

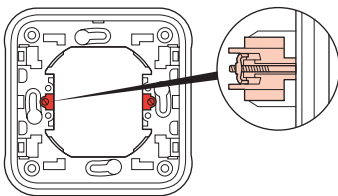
Cat. No(s): 0 696 51/52/55/56/61/64/68/72/74/78/79/80
0 696 81/83/85/87/89/90/91/92/94/96/98
0 707 41/42/43/49/92/94

3. INSTALLATION (continued)

- With screws on flush mounting box
Use of Batibox™ flush mounting boxes (centre distance 71 mm for multi-gang supports).

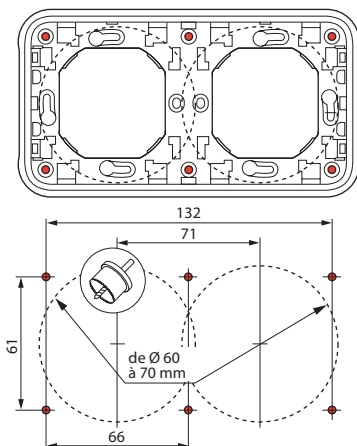


- With claws on flush mounting box



Claws can be fitted:
Cat. No. 0 849 00 or
Cat. No. 0 849 01 (long claws)

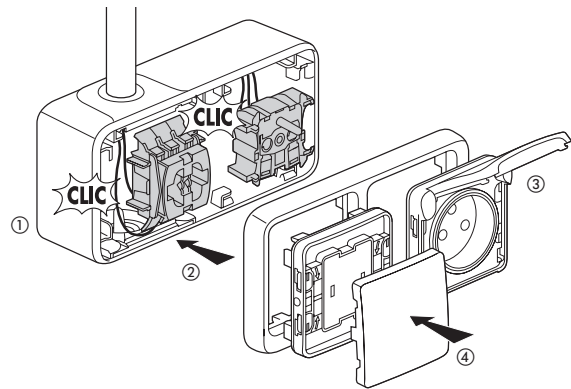
- On solid faceplate using $\varnothing 4$ mm screws.
Drill support material (diameter 60 - 70 mm) using hole saw or hole punch.



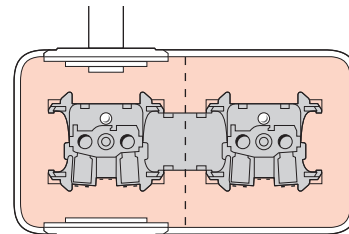
3. INSTALLATION (continued)

■ 3.3 Assembly

- Composable motors mounted by clipping into the back of the box.

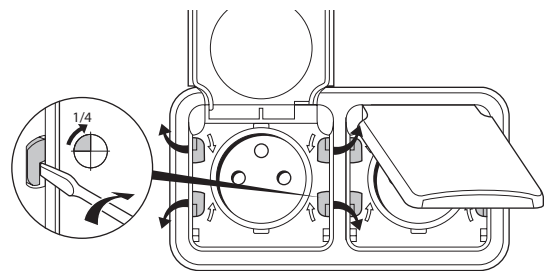


- The absence of partitioning walls in two and three gang boxes facilitates access and allows two and three gang pre-wired socket mechanisms to be fitted.



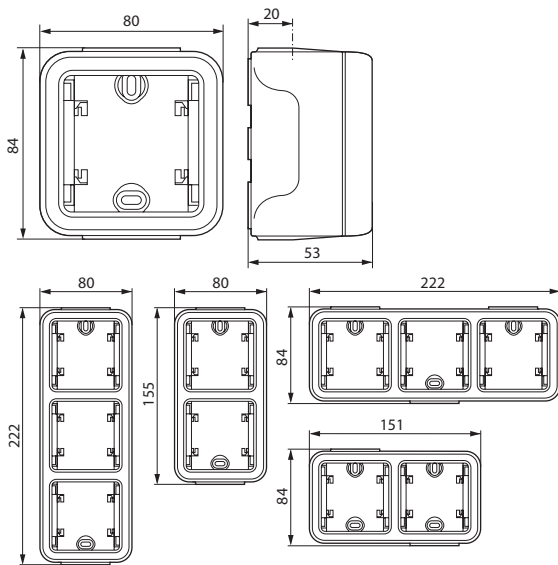
- IP55 sealing on front part (cover) on the box is ensured by rotating four 1/4 turn fixings.

The direction of rotation of each 1/4 turn fixing is shown by an arrow on the cover.

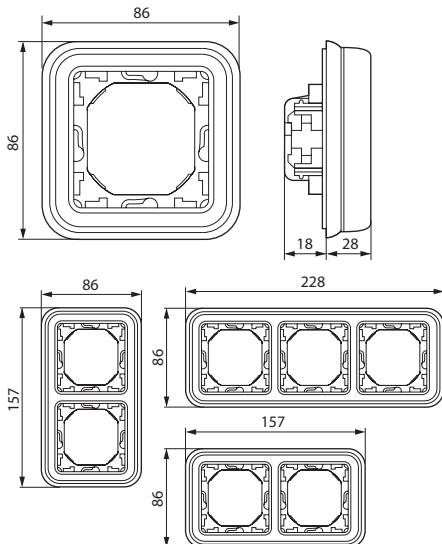


4. OVERALL DIMENSIONS (mm)

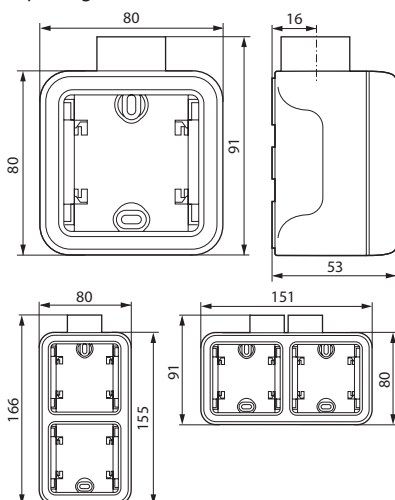
Surface mounting



Flush mounting



Replacing former Plexo 55 series.



5. TECHNICAL CHARACTERISTICS

■ 5.1 Material characteristics

Box, support: PP (filled Polypropylene)

Plate: ABS

Entry gland: PP + SEBS

UV resistant

Resistance to salt spray: 7 days (168 hrs)

Self-extinguishing:

+ 850°C / 30 s for insulating components holding in place live parts.

+ 650°C / 30 s for the other insulating components.

■ 5.2 Climatic characteristics

Storage temperature: - 25° C to + 70° C

Use temperature: - 25° C to + 40° C

6. CLEANING

Surface cleaning with dry cloth or cloth dipped in soapy water.

Do not use acetone, tar remover or trichloroethylene.

Antimicrobial products:

Resistance to hospital-type cleaning products: Anios, Surfanios, Bactylsine, Hydrogen Peroxide (35 %).

Caution: A test should be carried out before using any specific cleaners.

7. STANDARDS AND APPROVALS

Compliant with installation and manufacturing standards.

Refer to e-catalogue.

* Contains a silver compound to antagonize the growth of bacteria on the surface.