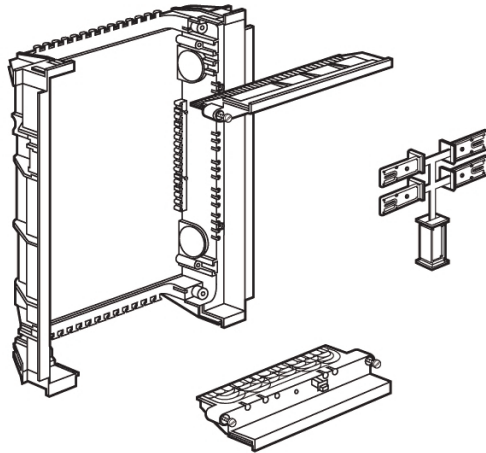
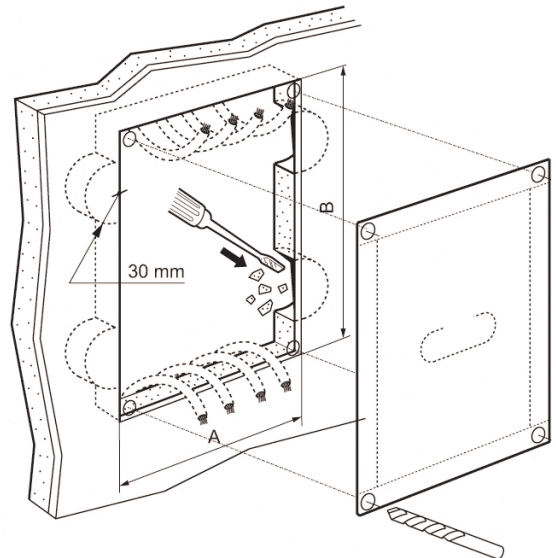
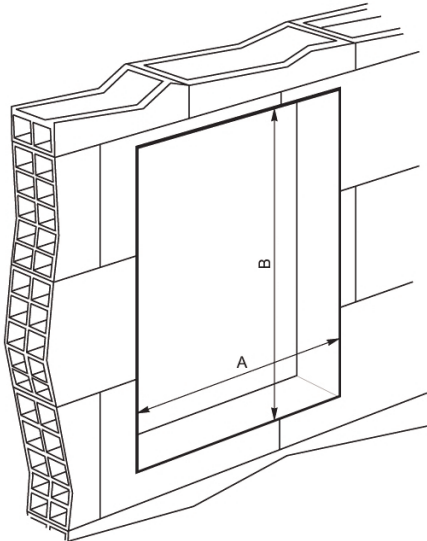


014 02



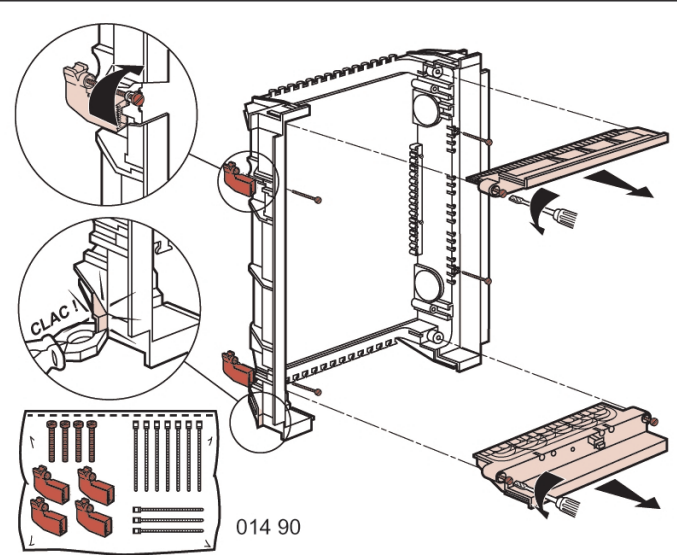
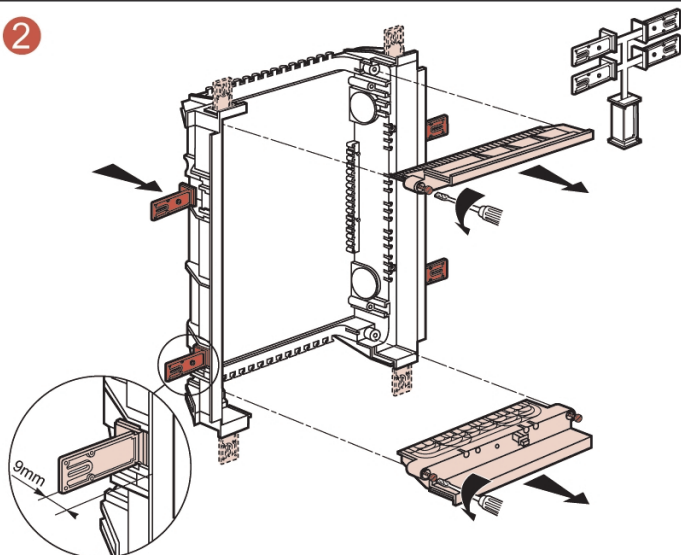
1



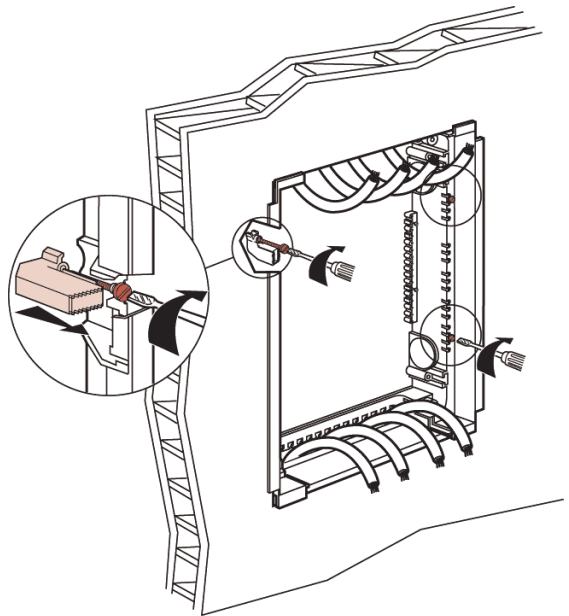
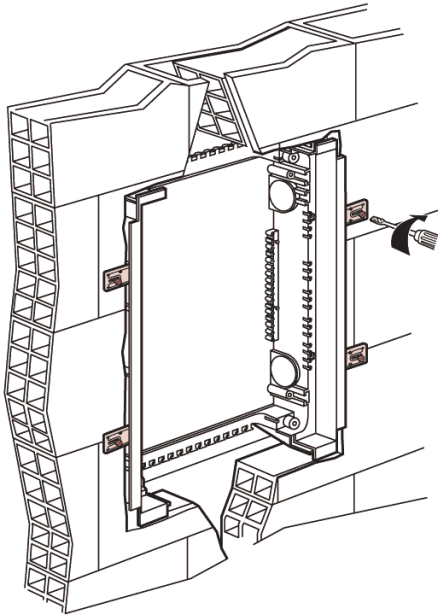
| | | | | |
|--------|-----------------------|-----------------------|-----------------------|-----------------------|
| | | | | |
| A (mm) | $330 \leq A \leq 360$ | $330 \leq A \leq 360$ | $330 \leq A \leq 360$ | $330 \leq A \leq 360$ |
| B (mm) | $315 \leq B \leq 345$ | $440 \leq B \leq 470$ | $565 \leq B \leq 595$ | $690 \leq B \leq 720$ |

| | | | | |
|--------|-----|-----|-----|-----|
| | | | | |
| A (mm) | 315 | 315 | 315 | 315 |
| B (mm) | 315 | 440 | 565 | 690 |

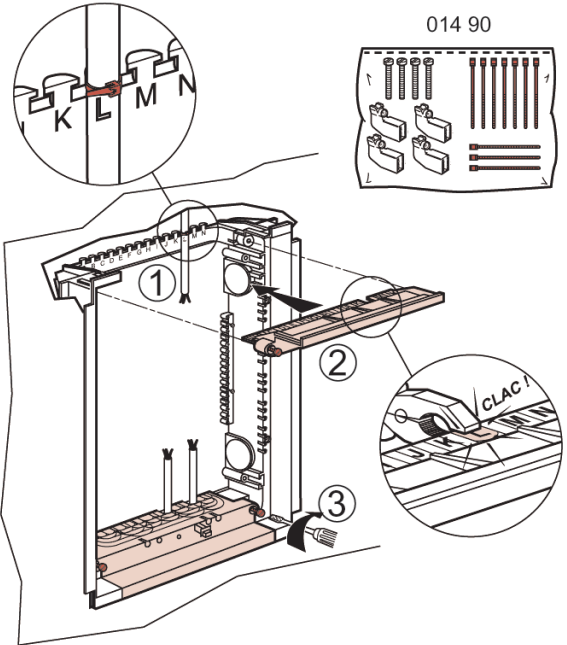
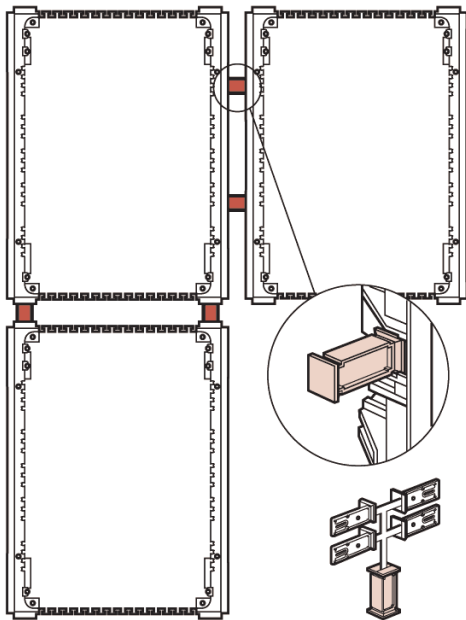
2



2



3



4

