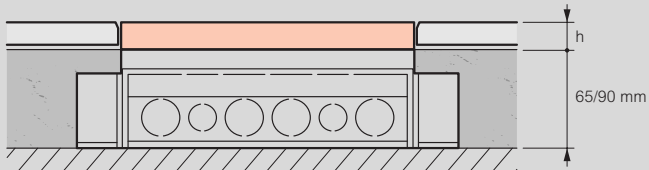
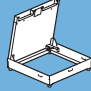


# Floor boxes for tiles/marble for screed floor

## ■ Dimensions



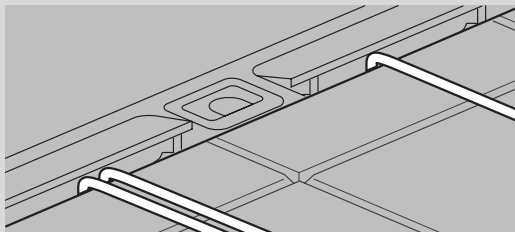
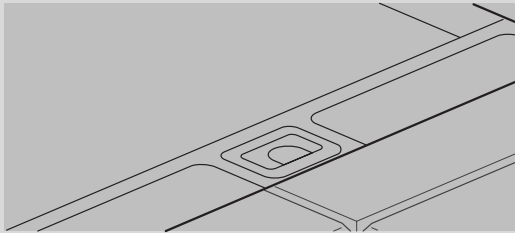
Total screed thickness has to be between 65 and 90 mm

Backbox for tiles/marble	Lid and trim for floor box for tiles/marble	Screed thickness (mm)	Tile thickness h (mm)
0 896 04		65 to 90	8 to 15
	6 896 51		15 to 22
	6 896 52		8 to 15
	6 896 55		
	6 896 56		

## ■ Functions

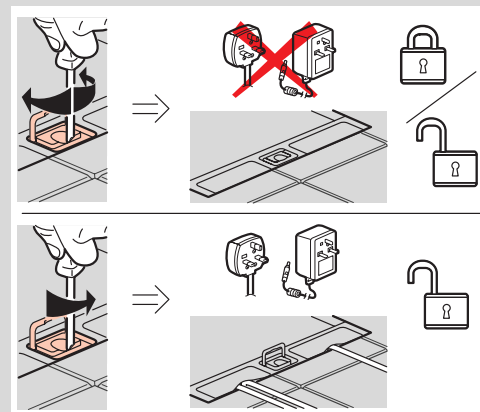
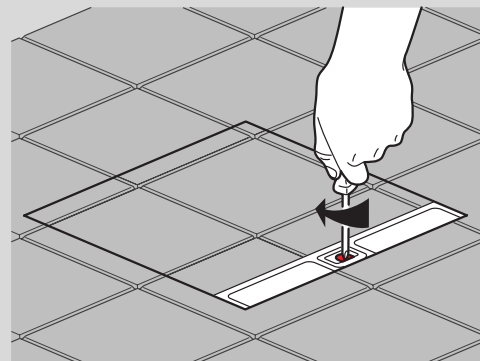
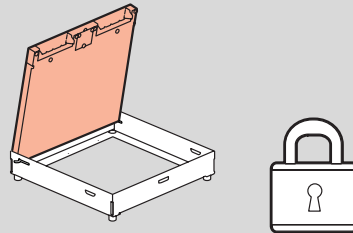
### Rigid cable exits

Full metal rigid cable exits  
 Maximum cable capacity 4 cables Ø7 mm + 3 cables Ø11 mm  
 Provides maximum protection for cables and strength



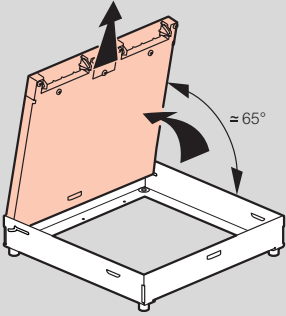
### Locking system

The floor boxes Cat.No 6 896 51/52 can be locked by means of a locking system on the lid (hidden under the opening handle)  
 For safety reasons, floor box should not be locked when in use

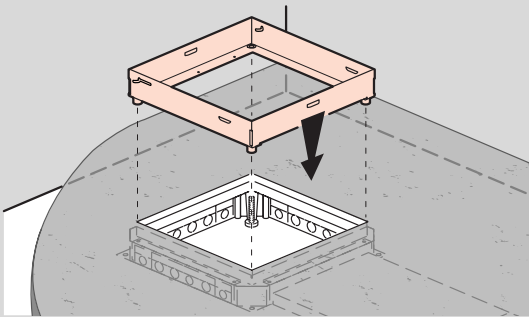


Locking system for Cat.No 6 896 51/52

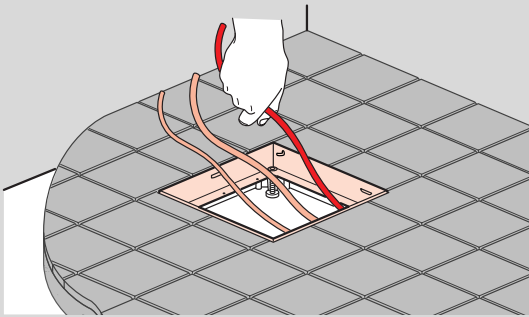
## Installation process



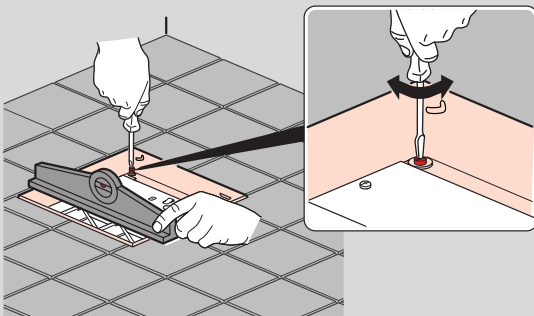
To remove the lid from the trim, hold it under an angle of approximately 65° and pull it out



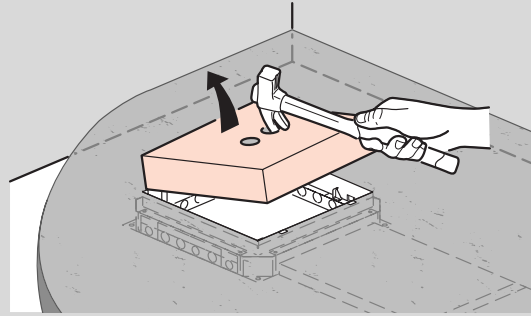
Place the trim onto the threaded rods



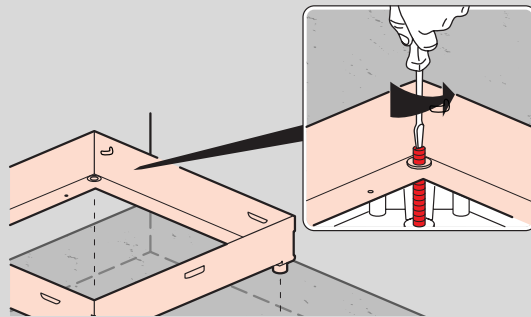
Cable the system



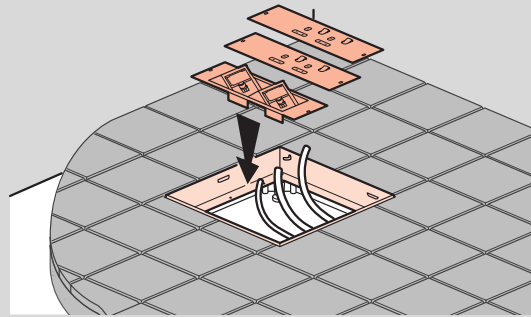
Make final adjustment to finished floor level by turning threaded rods in each corner with a screw driver



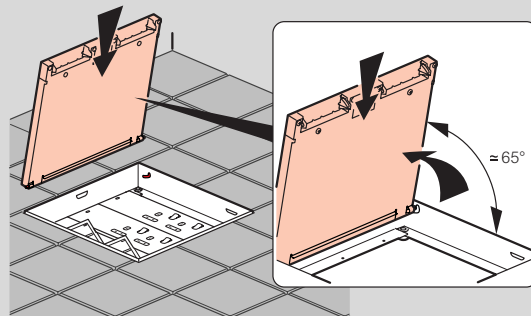
Remove site cover protection from backbox



Make a rough adjustment to finished floor level by turning threaded rods in each corner with a screw driver



Tiling should be carried out at this stage



Push the lid back in place by holding it under an angle of approximately 65°