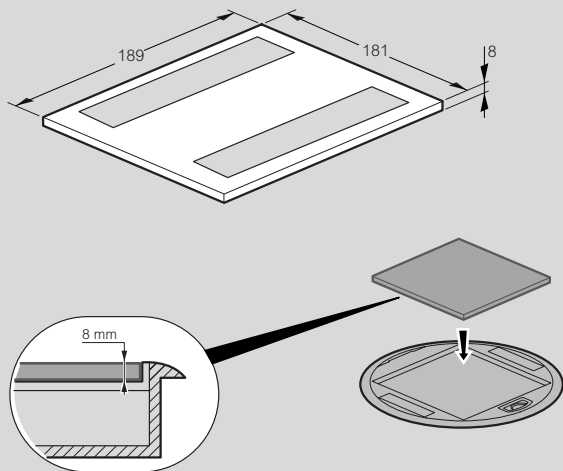


## Round version floor boxes - finishing plate - technical characteristics

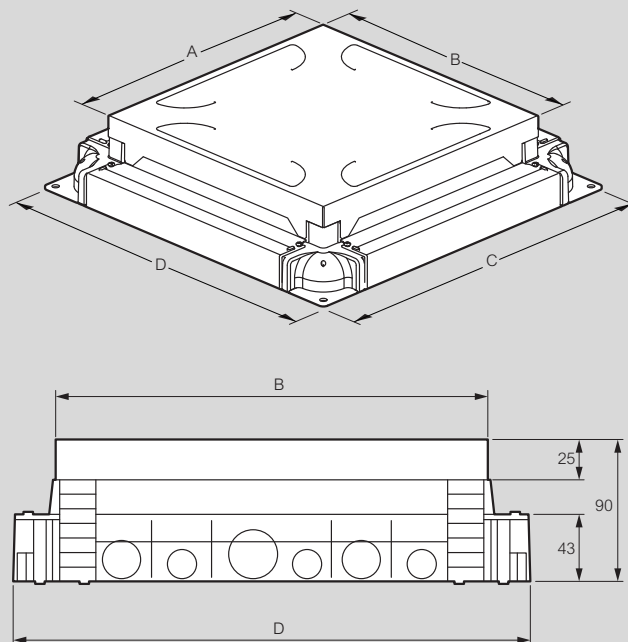
### ■ Dimensions



## Auto-adjusting backboxes technical characteristics

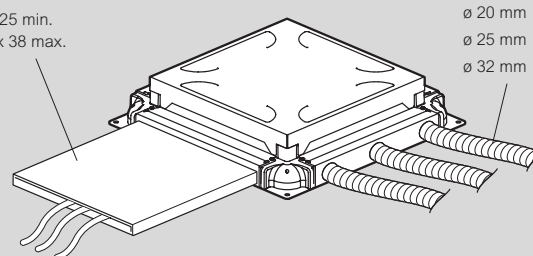
### technical characteristics

### ■ Dimensions

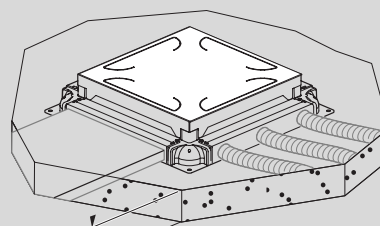


Cat.No	A (mm)	B (mm)	C (mm)	D (mm)
0 880 90	187		242	
0 880 91	225	270	280	325
0 880 92	270		325	

75 x 25 min.  
225 x 38 max.



ø 20 mm  
ø 25 mm  
ø 32 mm



65 mm min.  
90 mm max.