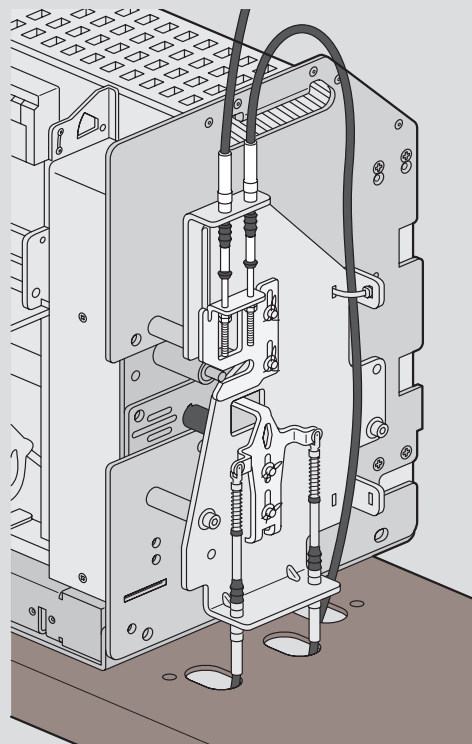


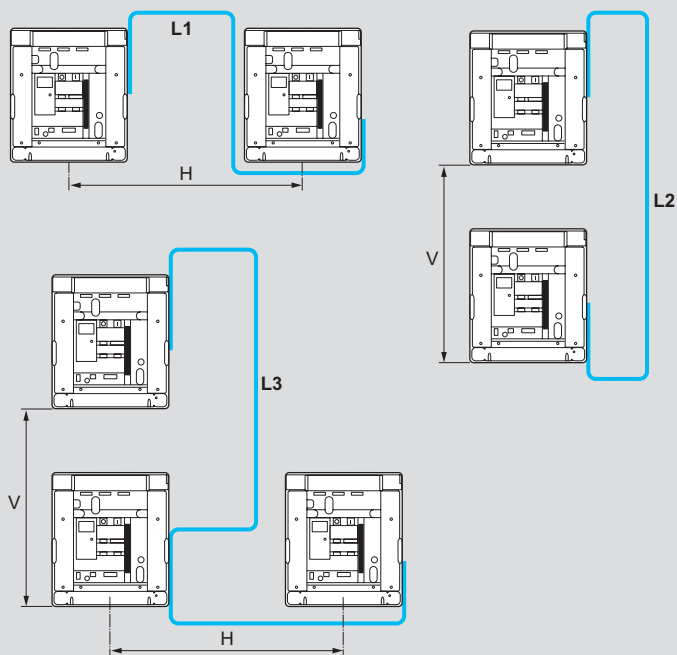
Supply invertors equipment for DMX³ 2500, 4000 and 6300

installation principle

Mounting of interlock unit



Choice of cable interlock



Calculation of cable length:

$$L1 = 1430 + H$$

$$L2 = 1570 + V$$

$$L3 = 1430 + V + H$$