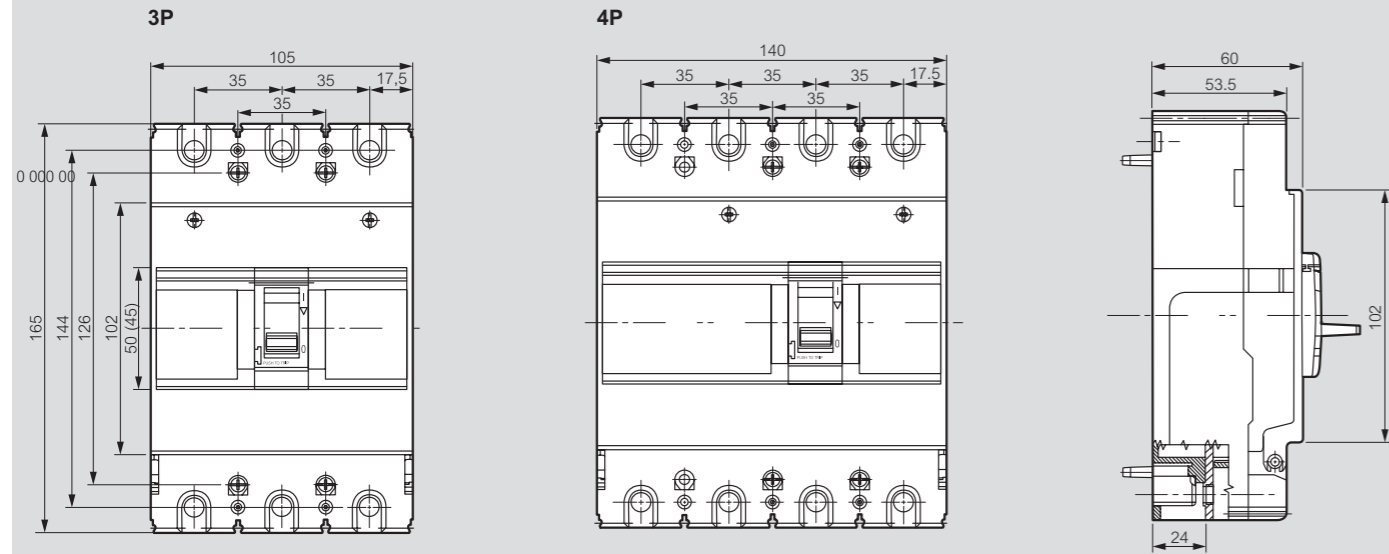


DRX™ 250

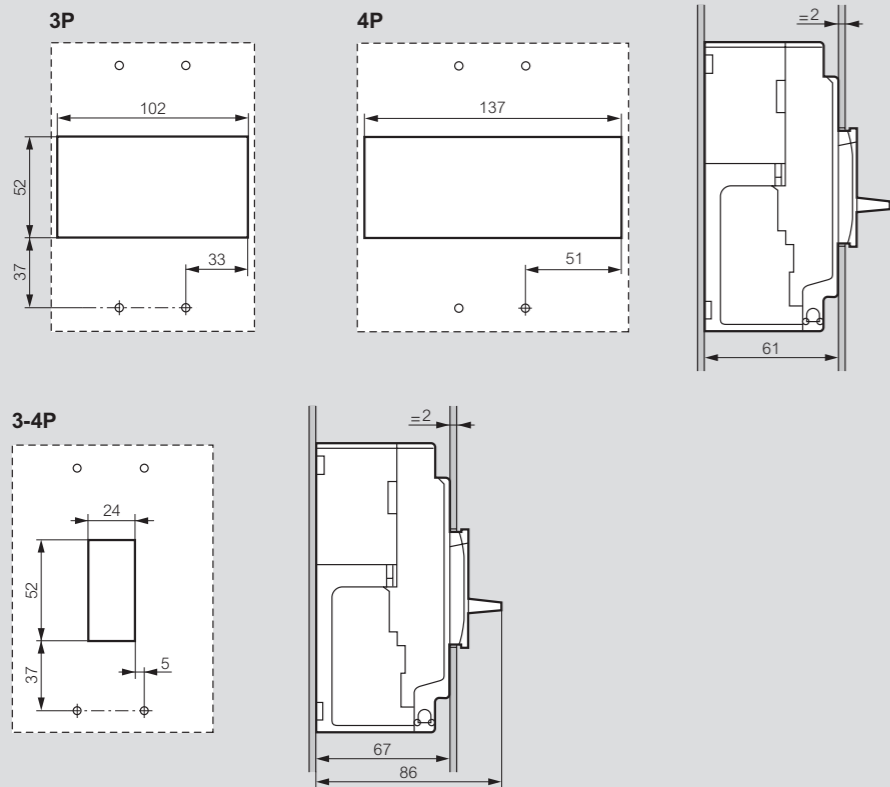
dimensions, mounting principle and connection

Dimensions

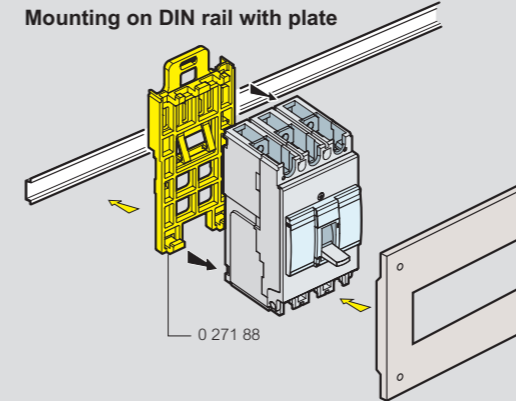


Mounting principle

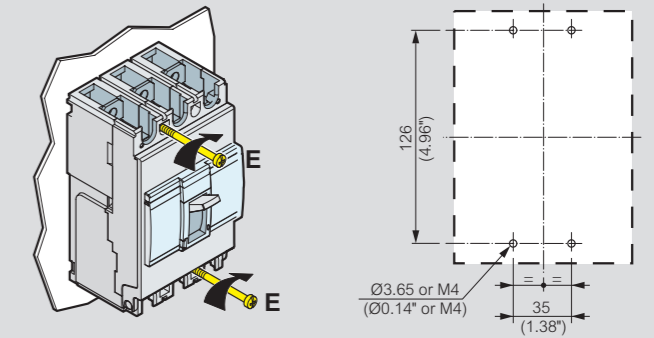
Door cut-out



Mounting on DIN rail with plate

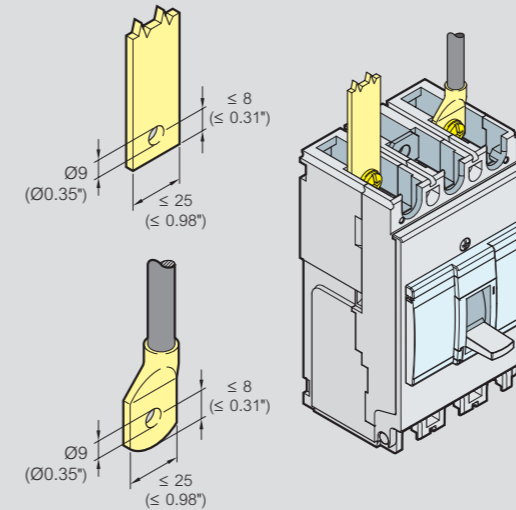


Fixing on plate

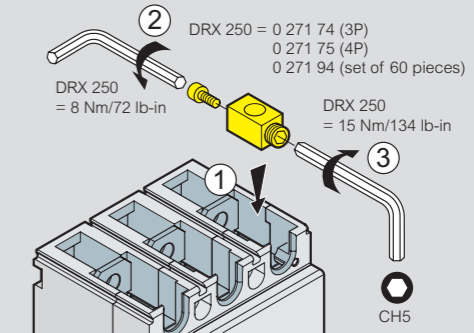


Connection

Connection via busbar



Connection via cable



DRX 250 - 125 to 250 A

Flexible
35 mm² = 120 mm²
#2 = #250 MCM
or
Rigid
35 mm² = 150 mm²
#2 = #300 MCM

Auxiliary contacts

	Voltage (V)	Resistive load (A)
Vac	125	5
	250	5
Vdc	30	5
	50	1
	75	0.75
	125	0.5
	250	0.25
Mechanical endurance (No. of operations)		5 x 10 ⁶
Temperature (°C)		- 40 to 85 °C

