

## Distribution enclosures XL<sup>3</sup> 4000 (continued)



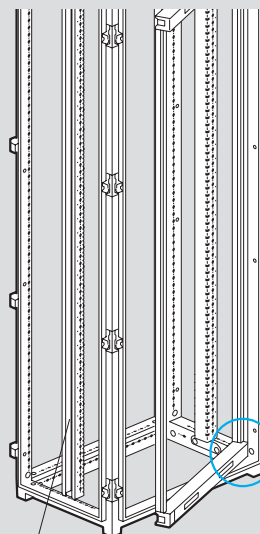
0 205 77



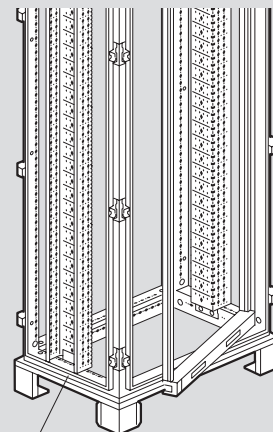
0 205 82

Pack	Cat.Nos	Reversible doors
		Supplied with handle Interchangeable key barrels, to be ordered separately For mounting on front, rear or side
		<b>Curved - metal</b>
	Height (mm)	Width 725 mm
1	2000   2200	Width 975 mm
1	0 205 54   0 208 61	
1	0 205 57   0 208 62	
		<b>Curved - glass</b>
1	0 205 64   0 208 63	Width 725 mm
1	0 205 67   0 208 64	Width 975 mm
		<b>Flat - metal</b>
1	0 205 71   0 208 65	Width 475 mm
1	0 205 74	Width 725 mm
1	0 205 77	Width 975 mm
		<b>Flat - glass</b>
	Height 2000 mm	Width 725 mm
1	0 205 84	Width 975 mm
1	0 205 87	
		<b>Mounting equipment</b>
		<b>Joining</b>
1	0 205 86	Screws for structural joining
1	0 205 88	Set of 2 L-shaped reinforcement plates
1	0 205 89	Set of 2 flat reinforcement plates
1	0 205 85	Sealing kit IP 55 for use when joining cabinets - length 5 m
1	0 205 10	Kit for joining plinths
		<b>Lifting rings</b>
1	0 205 82	Set of 4 Max. load: 340 kg per ring

## Distribution enclosures XL<sup>3</sup> 4000

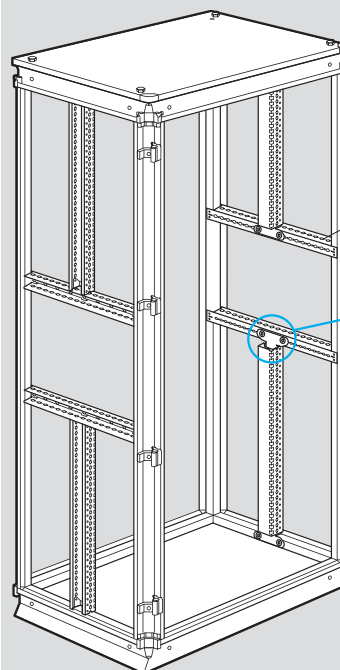


with reduced functional upright  
Cat.No 0 205 12



with functional upright  
Cat.No 0 205 13

Example of double partial chassis with reduced functional  
uprights Cat.No 0 205 12



crosspieces  
Cat.No 0 205 31/32

fixing plate  
Cat.No 0 205 30

For detailed dimensions and installation principle, see e-catalogue

