

Surface mounting cabinets XL³ 125

from 18 to 72 modules

Number of connections per neutral and earth terminal block (supplied with enclosure)

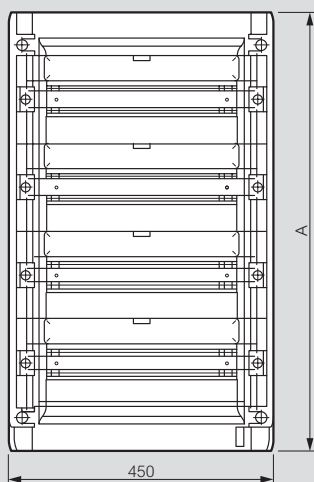
Enclosure Cat.Nos	Neutral terminal blocks Screw connection		Earth terminal blocks Screw connection	
	6 - 25 mm ²	1.5 - 16 mm ²	6 - 25 mm ²	1.5 - 16 mm ²
4 016 76	1	17	1	17
4 016 77	1	21	1	21
4 016 78	1	26	1	26
4 016 79	1	34	1	34

Number of blanking plates supplied per enclosure

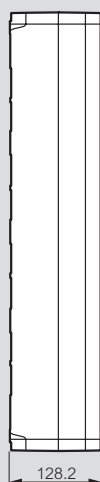
Enclosure Cat.Nos	Number of blanking plates 5 modules
4 016 76	1
4 016 77	2
4 016 78	3
4 016 79	3

Dimensions

Front view



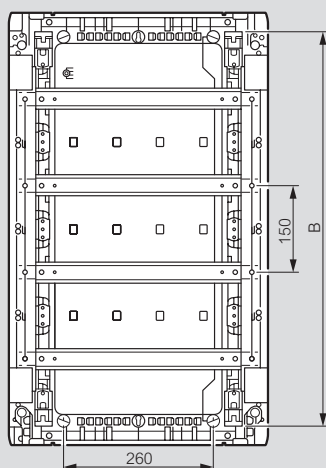
Side view without door



Side view with door



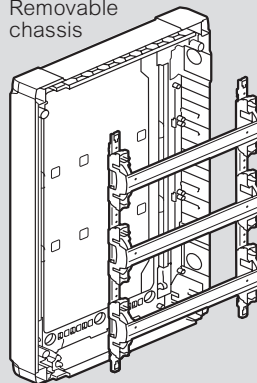
Fixing centres and distance between rails



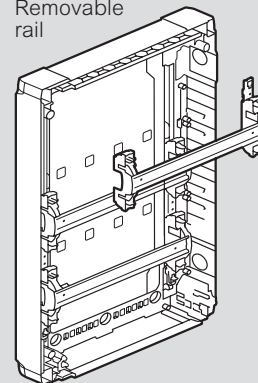
Enclosure Cat.Nos	A (mm)	B (mm)
4 016 76	300	250
4 016 77	450	365
4 016 78	600	515
4 016 79	750	665

Removable and pivoting chassis

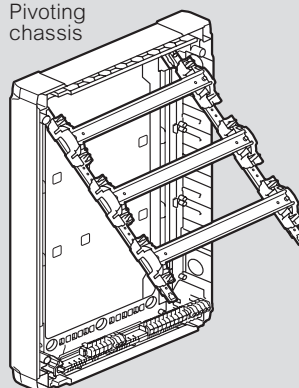
Removable chassis



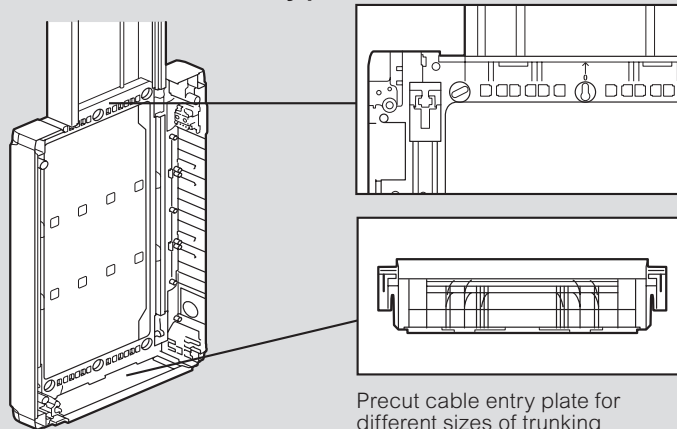
Removable rail



Pivoting chassis



Removable cable entry plate



Pre-cut cable entry plate for different sizes of trunking

Removable faceplate

Cabinet with rails, perforated plate, faceplates for DIN-rail equipment and plain faceplate

